

**TORO**

Count on it.

# Toro® Dingo® Compact Utility Loaders



# What makes the Toro® Dingo® the **top-selling** compact utility loader?

**Simply put, you'll save labor while getting more done. The compact-equipment equivalent of a Swiss Army™ knife, the Toro Dingo is the most versatile, reliable and hardest working compact utility loader on the market.**



220

323

TX 413

TX 427

Imagine all the jobs you can do and the time you can save. Every labor-saving Dingo model gives you effortless maneuverability with a short learning curve - even for inexperienced operators. No wonder it's the top-selling compact utility loader available today.

## **Many Models With One Goal: Productivity.**

At Toro, innovative product development teams continue to make the line of Dingo compact utility loaders better, stronger and more versatile, helping you change your business for the better. The family includes both gasoline and diesel options, as well as wheeled and tracked choices in walk-behind and ride-on designs. Any model you choose offers amazing hydraulic power, all in a compact, maneuverable package.

- Hydraulic power supplied where you need it most — to the drive wheels, tracks, or hydraulic attachments.
- 13 to 27 hp engines available.
- Traction to take on hills, mud or sand.
- Gentle on turf.

## **Toro Dingo Has The Power To Transform Your Business**

- Maximize manpower and minimize hand labor.
- Increase productivity and finish jobs faster.
- Take on more work and expand your business.
- Tackle virtually any task using a multitude of attachments.
- Work in tight spots where other machines can't reach.
- Go almost anywhere with a light footprint on existing turf.



**From Augering, Earth Moving, Tilling And Trenching To Leveling, Lifting, Hauling And Demolishing ... The Options Are Endless.**



*TX 427 Wide Track*



*TX 525*



*TX 525 Wide Track*

**Determine The Toro Dingo That's Right For You**

While your operation's specific needs should be discussed with your Toro dealer, here are a few general advantages for each model type. For more information, visit [toro.com/dingo](http://toro.com/dingo).

**Tracked Models**

- Improved flotation for better traction and a light footprint in sandy or wet ground conditions
- Higher operating capacity for added lifting ability
- Operator-friendly controls

**VS.**

**Wheeled Models**

- Better maneuverability in tight spaces, due to short wheelbase design
- Longer tire wear on hard surfaces, plus faster transport speeds
- Improved visibility of working area from integrated operator platform

**Gas Models**

- Easier "do-it-yourself" maintenance and lower repair costs
- Better starting in cold conditions
- Readily available fuel
- Lower up-front investment

**VS.**

**Diesel Models**

- Better performance in high altitudes and warmer climates
- More net horsepower improves traction and delivers added torque to attachments
- Longer engine life

# Toro® Dingo® TX Tracked Models



## TX 427 Narrow Track

- 27 hp Kohler® gasoline engine
- Two-stage, heavy-duty, remote air cleaner
- Track width – 5.9"
- Width – 33.7"
- Weight w/out bucket – 1882 lbs.
- Light footprint — 5.1 psi ground pressure
- 11.4 gpm auxillary hydraulic flow



## TX 427 Wide Track

- 27 hp Kohler gasoline engine
- Two-stage, heavy-duty, remote air cleaner
- Track width – 9.5"
- Width – 41"
- Weight w/out bucket – 2075 lbs.
- Light footprint — 3.6 psi ground pressure
- 11.4 gpm auxillary hydraulic flow



# Toro **defined** the compact utility loader market and we **continue to stay true** to the category.

Toro Dingo TX compact utility loaders possess the versatility to handle countless jobs on every site ... dig, haul, plant and build. Designed by Toro engineers specifically for professionals, the Dingo TX is an innovative, rugged and dependable piece of equipment that shows up for work every day, ready for virtually any job.

These machines are built right ... delivering a high power-to-weight ratio — and the lightest footprint — in the compact utility loader category.

## **Hydraulic performance beyond the category.**

The TX models' auxiliary hydraulic performance makes the most challenging ground conditions irrelevant by pumping 24 hp (diesel) or 19 hp (gas) to the attachment. Four independent hydraulic pumps deliver ...

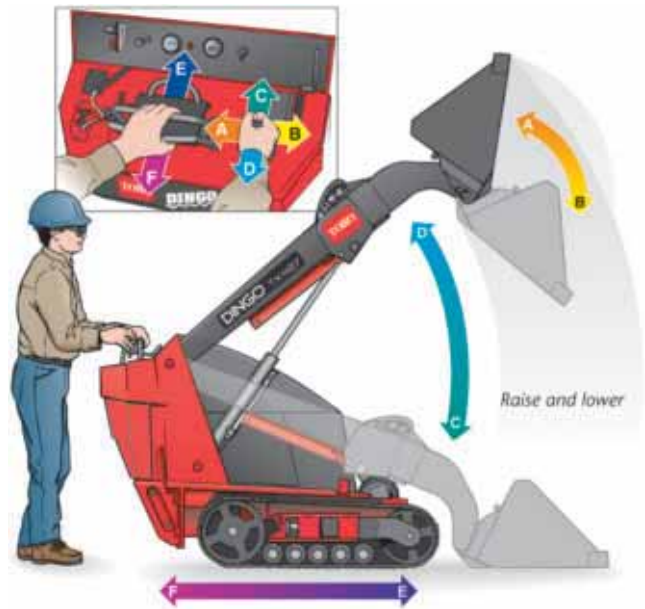
- 16.9 gpm of flow to each track
- 13.8 gpm (diesel) or 11.4 gpm (gas) to the auxiliary
- 6 gpm to the loader arm

## **Tackle a lot more work in less time.**

- Uses for the Toro Dingo TX and its various attachments are limited only by your imagination.
- Toro's exclusive TX control system (see illustration) is easy to learn; new operators are instantly productive with true command for accurate performance.
- Two-stage, heavy-duty, remote air cleaner is contained under the hood, so it is not prone to damage and sight lines aren't impaired.
- Optional platform allows ride-on capability when traveling long distances.

## **Make tracks with the Toro Dingo TX loader.**

- Durable Kevlar® reinforced tracks offer extended life, unlike competitive units with metal inserts.
- Tracks disperse weight evenly, giving high flotation and a light footprint on turf, yet delivering the necessary traction in loose sand or mud.
- Open design of traction system is self-cleaning, preventing the collection of sand, rocks, mud, and debris that could jam tracks.
- Pound for pound and power for power, these machines are unmatched in their category.



*Toro's patented, easy-to-use and learn controls make for more productive workers.*

### **TX 525 Narrow Track**

- 25 hp Kubota® diesel engine
- Two-stage, heavy-duty, remote air cleaner
- Track width – 5.9"
- Width – 33.7"
- Weight w/out bucket – 1904 lbs.
- 5.2 psi ground pressure
- 13.8 gpm auxiliary hydraulic flow



### **TX 525 Wide Track**

- 25 hp Kubota diesel engine
- Two-stage, heavy-duty, remote air cleaner
- Track width – 9.5"
- Width – 41"
- Weight w/out bucket – 2001 lbs.
- 3.4 psi ground pressure
- 13.8 gpm auxiliary hydraulic flow





# Toro® Dingo® TX 413 and Trailer



“As a small business owner, this machine is invaluable. It replaces a couple of guys, it doesn’t call in sick, and it doesn’t tell competitors my secrets.”

– Michael Otte, certified Aquascape contractor and owner of Whitewater Gardens in St. Charles, Minn.

## **TX 413**

- 13 hp Honda® gasoline engine
- Track width – 5.9"
- Width – 33.7"
- Weight w/out bucket – 1340 lbs.
- 3.6 psi ground pressure

## **TX 413 Trailer**

- 5' 4" x 9' bed
- 3500 lbs. GVW axle
- 2-inch diameter ball
- Surge brakes
- Flat 4-wire harness plug
- ST225/75R15 tires

# The Toro Dingo TX 413. A **great package** for the jobs you do most often.

We combined our five most popular attachments with one great machine, and loaded it all on a convenient trailer to give you what you use most. The Toro Dingo TX 413 works hard with the power of a 13 hp engine. Lightweight. Easy to transport. Easy to maneuver. Gentle on turf. What you're used to doing by hand can now be done in a snap ... by the TX 413.

## The perfect size for easy access to confined areas.

- Only 33.7" wide
- Made to fit through standard 36" gates and small work sites

## High-performance track system combined with the power you need to work all day.

- Exceptional traction and flotation with the proprietary track design
- 7 gpm @ 2,540 psi hydraulic pressure

## Add a TX 413 to your crew and earn a fast return.

One machine can do the work of three. Jobs that used to take all day get done in a fraction of the time. You see less downtime and happier employees, as well as reduced turnover in your crew. And suddenly, you're seeing more time for more (and bigger) projects and a more profitable year.

Toro 2008 MSRP		If you have daily rental prices of:		If you rent the Dingo on average:	
TX 413	\$13,890	TX 413 with Bucket	\$160	2 days a week	\$570
Auger Power Head	\$1,593	Auger complete	\$60	Rental revenue over 36	
9" & 18" Augers	\$1,037	Total Daily Rental	\$220	weeks of the rental season	\$20,520
Trencher, 2'x4"	\$3,759	<b>Value add:</b> Trencher for low-voltage lighting, wire and irrigation	\$65	Maintenance & fuel	(\$700)
Leveler	\$578			Income from Dingo	\$19,820
Adjustable Forks	\$748	Total Daily Rental	\$285	ROI after 1 year	74%
TX 413 Bucket	\$427				
Trailer	\$4,766				
Complete System	\$26,798				

## The Toro Dingo TX 413 and a custom-designed trailer are your toolbox for all things landscaping.

The fully loaded trailer is easily pulled by many types of vehicles and it conveniently carries your machine and various combinations of these attachments:



Trencher (2')



Auger Power Head (up to 24")



Bucket



Leveler



Adjustable Forks





# Toro® Dingo® Wheeled Models



“After almost eight years on this machine, I feel like I could use it to spread peanut butter. Once you learn how to use it, you can do anything with it.”

– Jeff Lee, owner of Live Oak Landscaping in Baton Rouge, La.



# The original compact utility loaders **packed with the power** you need.

## **Productive, no matter how you look at it.**

- Supporting numerous attachments, the Dingo 220 and 323 will continue to astonish you with what they can accomplish.
- Ride-on platform provides improved visibility of your working area and attachments.
- At only 40.5" wide and with zero-turn capability, you can access confined spaces you never dreamed possible.
- Removable counterweight allows you to add lift capacity or increase down pressure for optimal attachment performance.
- Short length contributes to efficient trailering.

## **4 Paw® independent 4-wheel drive system.**

Four independent wheel motors deliver hydraulic flow and pressure to all four wheels at all times on the Toro Dingo 323 model.

- Improves traction
- Increases mobility
- Reduces chances of getting stuck
- Less moving parts, reducing maintenance

## **Reliable hydraulic power, time after time.**

- Pumping 10.8 gpm @ 3000 psi, these machines have incredible hydraulic power.
- Powerful 2-pump hydraulic system for efficient separation of power to attachments, wheels or loader arms.
- Quick-change dripless flush-face couplers keep hydraulic system clean.



## **220**

- 20 hp Kohler® gasoline
- Air-cooled engine
- One, 4-gallon fuel tank
- Standard two-stage air cleaner
- Mechanically driven by hydraulic pumps



## **323**

- 23 hp Kohler gasoline
- Air-cooled engine
- Two, 4-gallon fuel tanks
- Two-stage, heavy-duty, remote air cleaner
- 4 Paw hydraulic traction control



# Genuine Toro® Dingo® Attachments

## **Superior design for long-lasting, dependable performance and the perfect fit.**

Genuine Toro® Dingo® attachments are your best assurance for attaining a long life and peak performance from your loader. Toro offers a multitude of attachments that are designed specifically for, and fit the front of, the Dingo machine. The attachments are easy to operate, delivering clear sight lines, excellent operator mobility, plus easy on and off — typically in seconds.

Protect your investment by using only genuine Toro attachments that include ...

- **Optimized performance** that comes from attachments Toro engineers specifically designed for the Toro Dingo.
- **Shielded seals** on hydraulic attachments, providing two protective components to the vital hydraulic mechanism.
- **Heavy-duty, high-performance hydraulic motors** with flow and pressure ratings designed for optimal operation and life of the equipment.
- **Heavy-duty** bearings working in the heart of each design for longer life.
- **High-abrasion-resistant materials** on all ground-engaging parts, proven to sustain years of heavy use.

## **Change attachments in seconds with no lifting. Easy as 1-2-3.**



1) Mount to the attachment plate on the unit.



2) Twist pins to locked position.



3) For powered attachment, connect hydraulic lines to dripless flush-face quick couplers on loader arms.

“We were using a dedicated trencher before on drainage projects. But we decided to replace it with a more multipurpose tool that we could use year-round. A compact utility loader fits a niche need on our course, and we can do a million things with it.”

– Pete Wendt, superintendent of the Kinloch Golf Club in Manakin Sabot, Va.



### High-Speed Trencher

- Ideal for fast, efficient trenching in soft to medium soil conditions
- Heavy-duty nose roller bearing and reversible abrasion-resistant boom
- 24", 36" and 48" booms available
- Auger speed: 187 rpm at 11gpm
- Torque: 442 ft/lbs at 3000 psi
- Weight: 390 lbs.

### High-Torque Trencher

- Guarantees performance in any soil condition from rock to clay
- Heavy-duty nose roller bearing and reversible abrasion-resistant boom
- 24", 36" and 48" booms available
- Auger speed: 120 rpm at 11gpm
- Torque: 675 ft/lbs at 3000 psi
- Weight: 390 lbs.



Shown with 12" chain spacer kit.  
See parts catalog for details.



### Leveler

- Grade, finish, and spread topsoil and other landscape materials. Back fill trenches.
- Carry job site materials such as plants, fertilizer, irrigation supplies, and more.
- Length: 36", Width: 49", Height: 16";  
Weight: 170 lbs.



### Stump Grinder

- Index position of blade adjusts up to 30°, allowing easy removal of roots.
- Cuts up to 36" above and 16.5" below grade.
- Wheel diameter: 17"; Teeth count: 12 carbide tipped; Wheel speed: 2000 rpm; Tooth tip speed: 145 ft/sec.
- Width: 44" with debris shield, Length: 20", Height: 31"; Weight: 265 lbs.



### Tree Forks

- Opens wide to handle large trees and shrubs.
- Angle design allows for gentle handling of materials.
- Overall width: 24.5", Overall length: 45", Overall height: 12.5", Opening at tip: 25";  
Weight: 169 lbs.



### Trench Filler

- Fill trenches in a single pass, saving time and money
- Two sets of opposing augers direct spoils into the hole
- Standard float mechanism allows for up to 5" of ground following floatation
- Skids evenly disperses weight and slide easily over turf, minimizing damage
- Overall width: 62"
- Working width: 48"
- Auger diameter: 14"
- Float distance: 6"
- Weight: 410 lbs.



### TX Platform

- Bolts easily onto any Toro Dingo TX model excluding TX 413
- Special pivot point lets the platform flow with the terrain, increasing operator comfort and safety
- Helps minimize operator fatigue when traveling long distances
- Platform can be flipped out of the way at any time
- Width: 29"
- Operating height (from ground): 5"
- Weight: 94 lbs.



### Buckets

- Standard bucket: Holds 4.3 cubic feet; Width: 42"
- Narrow bucket: Holds 3.5 cubic feet; Width: 34.5"
- Light materials bucket: Holds 6.9 cubic feet; Width: 48"
- Optional tooth bars available. See parts catalog for details



### Universal Swivel Auger Power Head

- Ensures "plumb" holes on uneven terrain
- Recommended for augers up to 18"
- Perfect for installing fences
- Bit speed: 80 rpm @ 11 gpm
- Torque: 1060 ft/lbs at 3000 psi @ 11 gpm
- Dig up to 7' holes
- Bit length 42"; 1' and 2' extensions available
- Optional cement bowl



### Bore Drive Head and Rod & Reamer Kit

- Easily bore under driveways and sidewalks to simplify irrigation and cable installations. Working depth: 19.38".
- Features universal joint keeping rods in horizontal digging position, regardless of head position.
- Standard Rod & Reamer Kit: Boring Bit: 1.75"; Reamer: 2.5"; Drill rods (4): .875" diameter, by 5'. Optional bits from 1.25"-2.5"; Optional reamers up to 4.5".



### High-Torque Auger Power Head

- Designed specifically to power up to 30" diameter auger in tough soil conditions
- Excellent for digging holes for trees, footings or irrigation valve boxes 1514 ft/lbs. of torque @ 3000 psi
- Heavy-duty motor, casting and bearings
- Auger bits from 6" to 30"
- Bit length: 42"
- Bit speed: 54 rpm @ 11 gpm
- 1' and 2' extensions available
- Optional cement bowl



### Soil Cultivator

- Prepares seed bed in one pass, tilling soil up to 5.5" deep
- Adjustable grading bar and comb teeth leave perfect germination environment
- Bury stones, soil clods, debris and grass
- Totally enclosed oil bath drive system increases power and torque to the tiller shaft and tines
- Working width: 36"
- Overall width: 51", Overall height: 21", Overall Length: 51"; Weight: 550 lbs.



### Hydraulic Breaker

- Horizontal and vertical positions for demolishing driveways, sidewalks, steps, or walls
- Powerful; delivers 180 ft/lbs of force and up to 1250 blows per minute
- Tool length: 10", Tool diameter: 1.8", Overall width: 24.5", Overall length: 50"; Weight: 262 lbs.
- Optional bits available: 2" chisel; 6.5" asphalt; 8" tamper; moil bit. See parts catalog for details



### Cement Bowl

- Flighting mixes and holds cement in bowl
- Mix, haul, and pour up to 200 lbs
- Auger power head required (sold separately)
- Diameter: 25.15", Length: 18.25"; Weight: 75 lbs.



### Utility Blade

- Designed for versatility, this 48" blade angles 30° both right and left with the flip of a lever
- The blade can be removed and rotated 180° to increase blade life
- Overall width: 48", Overall height: 20.75"; Overall weight: 140 lbs.



### Tiller

- Heavy-duty, high-torque design
- Hardened steel tines for any soil condition, including clay or hardpan
- Till more than six inches deep and 40" wide on one pass
- Reversible tine direction frees jams quickly
- Tine speed: 226 rpm @ 11 gpm
- Overall width: 44"
- Overall length: 20"
- Height: 26"
- Weight: 363 lbs.



### Backhoe

- Versatile — dig foundations, plant trees, trench and much more
- Folds to 34.5" wide for access to tight spaces and ease of transport
- 180° bucket and swing arm rotation, 82" digging depth, and standard 13" bucket
- Transport height: 71"
- Weight: 762 lbs.
- Stabilizer spread: 78"
- Bucket digging force: 2450 lbs.
- Crowd arm digging force: 1250 lbs.



### Grapple Rake

- Exceptional power for clamping and holding
- Ideal for picking up and removing trees, bushes, roots and rocks — as well as demolition and construction debris
- Tines constructed of 3/8" AR400 steel\*
- Overall width: 34.5"; Weight: 270 lbs.; Clamping force: 3000 lbs.



### Adjustable Forks

- Easily adjust forks to desired width
- Carry fence posts, rocks, pallets, plants, fertilizer, irrigation supplies and more
- Forks constructed of high-strength T1 steel
- Lift capacity: 335 lbs.; Maximum lift height: 61"; Width: 31.3"; Weight: 167 lbs.



### Snowthrower

- Two-stage design with the power to handle the toughest snow conditions
- Replaceable scraper
- Adjustable skids
- Overall Width: 48"; Clearing width 44"
- Auger diameter: 16"; Auger speed: 161 rpm @ 11 gpm; Weight: 312 lbs.

\*Nearly twice as hard, 50% better wear than T1 steel



### Power Box Rake

- Perfect tool for seed bed and sod bed preparation
- Easily adjust depth to fill, plane and pulverize soil
- Carbide-teeth rotary drum pulverizes rough soil, cuts high spots and fills low spots in one pass
- Roller drum removes rocks and debris, leaving dimpled surface for moisture retention
- Reversible end plates for forward or reverse operation
- Adjustable yoke allows 20° offset
- Overall width: 67"
- Working width: 48"
- Overall height: 40"
- Overall length: 26"
- Weight: 510 lbs.



### Vibratory Plow

- Optimizes pipe-pulling performance while minimizing turf damage to reduce time and labor spent on irrigation or cable installations
- Pulls pipe up to 18" deep
- Elliptical vibrating motion moves pipe through difficult soil conditions
- Head flexes side-to-side for tight turning
- Pipe size: up to 1.5" flexible polyethylene with standard bullet; 2" PVC or 80lb. polypipe with taperlock puller
- Swing angle: +/- 30°
- Plow cycle: 1390 vpm
- Max. plow speed: 88 ft/min depending on soil conditions
- Overall length: 34", Overall width: 28.2", Overall height w/out blade: 27"; Overall weight: 457 lbs.



### Multi-Purpose Tool

- 3 tools in 1: ripper, towbar, boom
- Ripper: 3 thick steel tines — great for digging & breaking up soil
- Towbar: Accepts ball with 1" diameter threads (ball not included)
- Boom & chain length 45"; ideal for planting and hauling trees and shrubs

# Get the **competitive edge** other professionals have found in the Toro® Dingo®.

## Contractor Bottom Line



### Costs per hand laborer

### Toro Dingo landscape package

	Weekly*	Monthly		Weekly*	Monthly
Wage	\$400.00	\$1,733.33	TX 427	\$106.00	\$459.34
FICA & Work Comp	\$23.76	\$102.96	Auger Power Head	\$14.07	\$60.97
Unemployment	\$0.72	\$3.12	12" Auger	\$2.48	\$10.76
			30" Auger	\$4.69	\$20.32
			36" Trencher w/chain	\$25.41	\$110.11
			Standard Bucket	\$2.84	\$12.31
			Leveler	\$3.27	\$14.17
			Adjustable Forks	\$4.05	\$17.55
			Fuel & Maintenance	\$57.69	\$250.00
Weekly Total	\$424.48		Weekly Total*	\$220.50	
Monthly Total		\$1,839.41	Monthly Total*		\$955.50
Annual Total		\$22,072.92	Annual Total*		\$11,466.00

\*Base hourly wage \$10.00

\*Based on 2008 MSRP financed at 5.9% for 48 months

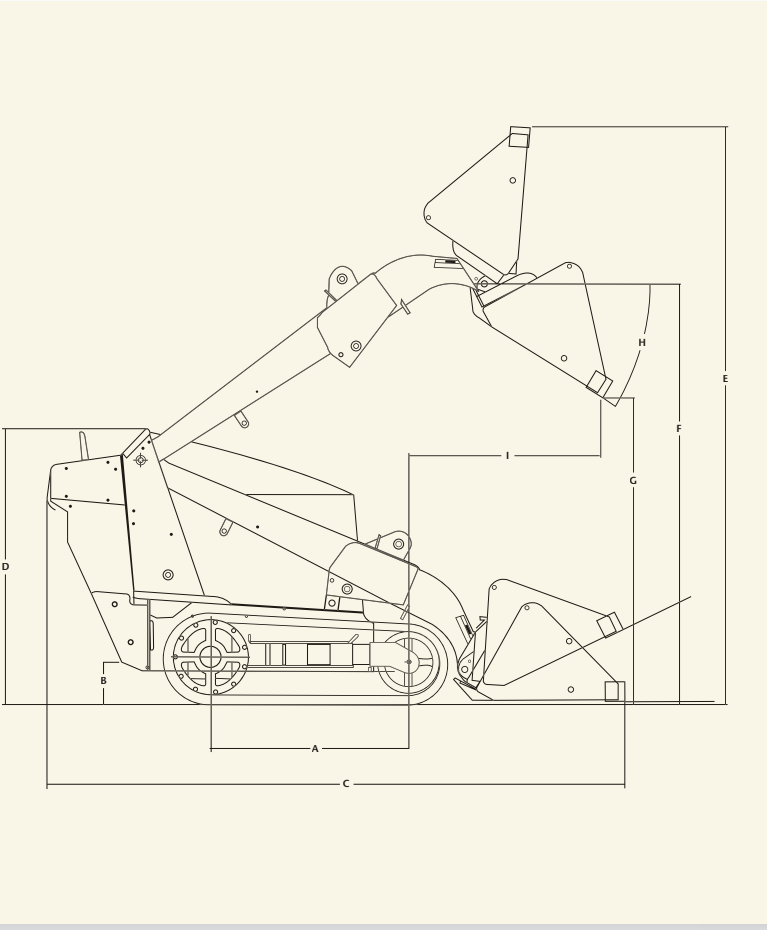
### Watch your productivity skyrocket.

The Toro Dingo lets you get rid of rakes, shovels, wheelbarrows, axes, pry bars and other time-wasting hand tools. Reduce hand labor with a Toro Dingo and solve all kinds of problems. When a compact utility loader shows up on your site, it shows up on your bottom line. It's an investment that pays back fast — giving you more time, healthier crews, and top performance.

You'll **save** on labor costs from day one. Compare the costs of hand labor to the costs of a Toro Dingo and you'll see what it will do for your bottom line right away.



# Toro® Dingo® TX Tracked Models SPECIFICATIONS



## TORO DINGO TX TRACKED MODELS

<b>TX 525</b>	Kubota® 25 hp (gross hp) D902E3B diesel engine
<b>TX 525 Wide Track</b>	Kubota 25 hp (gross hp) D902E3B diesel engine
<b>TX 427</b>	Kohler® Command Pro® Series 27 hp (gross hp)
<b>TX 427 Wide Track</b>	Kohler Command Pro Series 27 hp (gross hp)
<b>TX 413</b>	Honda® GX390 13 hp (gross hp)

### ENGINE

Air Filter	Models TX 427/525: Two-stage, heavy-duty, remote Model TX 413: Standard dry air cleaner
Cooling System	Models TX 525: Liquid cooled Models TX 427/TX 413: Air cooled
Fuel Tank	Models TX 525/TX 427 – 6 gallons (23 liters) Model TX 413 – 3 gallons (11.4 liters)
Oil Capacity	Models TX 525 – 3.84 quarts (3.63 liters) Models TX 427 – 2 quarts (1.9 liters) Model TX 413 – 1.16 quarts (1.1 liters)

### HYDRAULIC SYSTEM

Pressure	Models TX 525/TX 427 – 3000 psi Model TX 413 – 2540 psi
Flow	Models TX 525 – 13.8 gpm auxiliary; 6 gpm loader arm; 16.9 gpm traction (each pump) Models TX 427 – 11.4 gpm auxiliary; 6 gpm loader arm; 16.9 gpm traction (each pump) Model TX 413 – 7 gpm combined (loader/aux.)
Reservoir Capacity	Models TX 525/TX 427 – 10.5 gallons (40 liters) Model TX 413 – 10 gallons (38 liters)
Auxiliary Horsepower	Models TX 525; 24 hp Models TX 427; 20 hp Model TX 413; 10 hp

### TRACK

Standard	Models TX 525/TX 427 Wide Track – Endless Kevlar® reinforced rubber, 96.6" x 9.5", single internal tooth drive; Models TX 525/TX 427/TX 413 – Endless Kevlar reinforced rubber, 96.6" x 5.9", single internal tooth drive
----------	--

### TRACK DRIVE

Standard	Sprocket-drive, 10 road wheels per side, cast iron track guide
Traction	Dual hydrostatic pump

## DIMENSIONS

	TX 525	TX 525 Wide Track	TX 427	TX 427 Wide Track	TX 413
Track Width	5.9"	9.5"	5.9"	9.5"	5.9"
<b>A</b> Wheelbase	31.2" (79 cm)	31.2" (79 cm)	31.2" (79 cm)	31.2" (79 cm)	31.1" (79 cm)
<b>B</b> Ground Clearance	4.6" (11.7 cm)	4.6" (11.7 cm)	4.6" (11.7 cm)	4.6" (11.7 cm)	5.8" (9.65 cm)
<b>C</b> Overall Length	92" (233.7 cm) w/ bucket; 70.7" (180 cm) w/o bucket	92" (233.7 cm) w/ bucket; 70.7" (180 cm) w/o bucket	92" (233.7 cm) w/ bucket; 70.7" (180 cm) w/o bucket	92" (233.7 cm) w/ bucket; 70.7" (180 cm) w/o bucket	86.7" (220.2 cm) w/ bucket; 66.1" (167.9 cm) w/o bucket
Overall Width	33.7" (85.6 cm)	41" (104 cm)	33.7" (85.6 cm)	41" (104 cm)	33.7" (85.6 cm)
<b>D</b> Overall Height	46.1" (117.1 cm)	46.1" (117.1 cm)	46.1" (117.1 cm)	46.1" (117.1 cm)	42.5" (107.9 cm)
<b>E</b> Maximum Operating Height	90.1" (229 cm)	90.1" (229 cm)	90.1" (229 cm)	90.1" (229 cm)	76.4" (194 cm)
<b>F</b> Hinge Pin Height	65.8" (167.1 cm)	65.8" (167.1 cm)	65.8" (167.1 cm)	65.8" (167.1 cm)	48" (167.1 cm)
<b>G</b> Dump Height	46.1" (117.1 cm)	46.1" (117.1 cm)	46.1" (117.1 cm)	46.1" (117.1 cm)	31.2" (79.3 cm)
<b>H</b> Dump Angle	38°	38°	38°	38°	45°
<b>I</b> Reach	21.8" (55.4 cm) fully raised	21.8" (55.4 cm) fully raised	21.8" (55.4 cm) fully raised	21.8" (55.4 cm) fully raised	21.5" (54.6 cm) fully raised
Ground Speed	0–4.5 mph forward, 0–2 mph reverse	0–4.5 mph forward, 0–2 mph reverse	0–4.5 mph forward, 0–2 mph reverse	0–4.5 mph forward, 0–2 mph reverse	0–3 mph forward, 0–1.5 mph reverse
Tip Capacity	1580 lbs. (717 kg)	1580 lbs. (717 kg)	1530 lbs. (694 kg)	1530 lbs. (694 kg)	1200 lbs. (544 kg)
SAE J818 Rating 50% tip capacity	790 lbs. (360 kg)	790 lbs. (360 kg)	765 lbs. (348 kg)	765 lbs. (348 kg)	600 lbs. (273 kg)
SAE J818 Rating 35% tip capacity	553 lbs. (251 kg)	553 lbs. (251 kg)	535 lbs. (243 kg)	535 lbs. (243 kg)	420 lbs. (191 kg)
Weight (w/ std. bucket)	2030 lbs. (921 kg)	2127 lbs. (965 kg)	2006 lbs. (910 kg)	2186 lbs. (992 kg)	1466 lbs. (655 kg)
Weight (w/o bucket)	1904 lbs. (864 kg)	2001 lbs. (908 kg)	1882 lbs. (934 kg)	2075 lbs. (934 kg)	1340 lbs. (608 kg)
Ground Pressure	5.2 psi	3.4 psi	5.1 psi	3.5 psi	3.6 psi

# Toro Dingo Wheeled Models SPECIFICATIONS

## TORO DINGO WHEELED MODELS

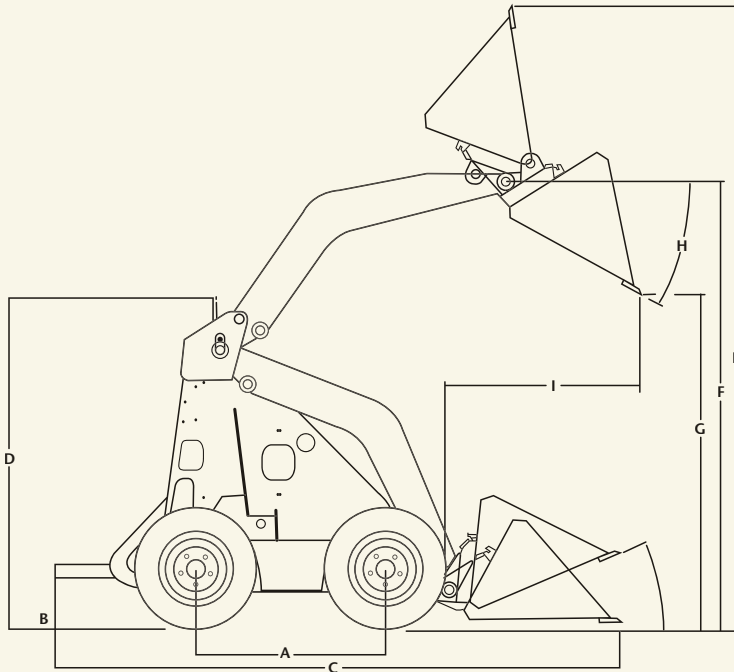
<b>323</b>	Kohler® Command Series 23 hp (gross hp)
<b>220</b>	Kohler Command Series 20 hp (gross hp)

### ENGINE

Cooling System	Models 323/220: Air cooled
Fuel Tank	Model 323 – 2 tanks, 4 gallon (15 liter) capacity each Model 220 – 1 tank, 4 gallon capacity with pre-cleaner
Oil Capacity	Models 323/220 – 2 quarts (1.9 liter)
Air Filter	Model 323 – Two-stage, heavy-duty, remote air cleaner Model 220 – Standard dry-type

### HYDRAULIC SYSTEM

Pressure	Models 323/220 – 3250 psi system relief pressure
Flow	Models 323/220 – 4.0 gpm low-flow hydraulic circuit; 10.8 gpm high flow hydraulic circuit
Reservoir Capacity	14.8 gallon (56 liter)



## DIMENSIONS

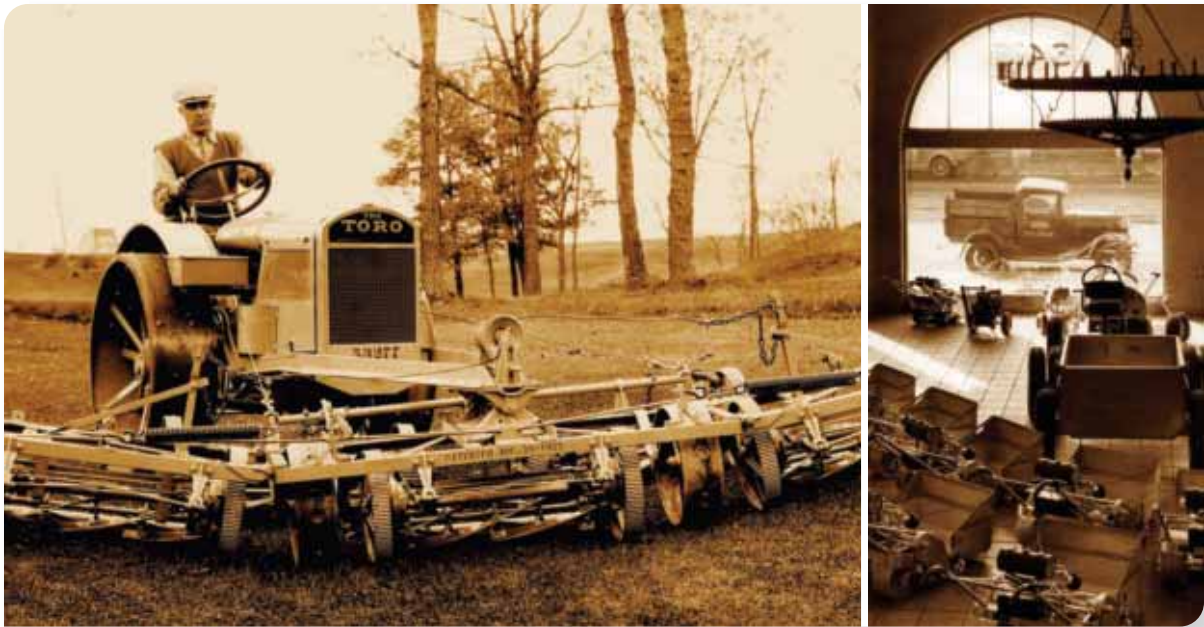
## 323

## 220

<b>A</b> Wheelbase	28" (71 cm)	28" (71 cm)
<b>B</b> Ground Clearance	5.8" (15 cm) front; 5.8" (15 cm) rear	5.8" (15 cm) front; 5.8" (15 cm) rear
<b>C</b> Overall Length	62" (157.5 cm); 82.2" (208.8 cm) w/bucket	62" (157.5 cm); 82.2" (208.8 cm) w/bucket
Overall Width	40.5" (103 cm) standard tires; 35" (90 cm) narrow tires	40.5" (103 cm) standard tires; 35" (90 cm) narrow tires
<b>D</b> Overall Height	48.7" (123.7 cm)	48.7" (123.7 cm)
<b>E</b> Maximum Operating Height	91.2" (231.6 cm)	91.2" (231.6 cm)
<b>F</b> Hinge Pin Height	66" (167.6 cm) std. bucket – highest position	66" (167.6 cm) std. bucket – highest position
<b>G</b> Dump Height	47" (119 cm) std. bucket	47" (119 cm) std. bucket
<b>H</b> Dump Angle	34° std. bucket	34° std. bucket
<b>I</b> Reach – max.	28" (71.1 cm) std. bucket	28" (71.1 cm) std. bucket
Ground Speed	4.5 mph forward/reverse	4.5 mph forward/reverse
Tip Capacity	1030 lbs. (467 kg)	1030 lbs. (467 kg)
SAE J818 Rating 50% Tip Capacity w/ 200 lbs. (91 kg) operator	515 lbs. (234 kg)	515 lbs. (234 kg)
Weight (w/ std. bucket)	1713 lbs. (777 kg)	1576 lbs. (715 kg)
Weight (w/o bucket)	1567 lbs. (711 kg)	1430 lbs. (649 kg)



# Always there to help you care for your landscapes. **Count on it.**



## **Our purpose.**

To help customers beautify and preserve their outdoor landscapes with environmentally responsible products of quality and innovation.

## **Our promise.**

Toro is there to help you care for your landscapes the way you want, when you want, better than anyone else.

## **Our track record of performance.**

Since its start in 1914, Toro's heritage has been rooted in durable commercial equipment. Beginning with the first Toro machine ever sold, our engineers have been committed to creating durable and reliable machines — like the Dingo® loader — to help professionals like you do your job better and faster. From homes to golf courses, to the high-profile properties of Disney, the Indianapolis Motor Speedway, the White House, and every playing field in Super Bowl history — Toro equipment continues to provide the enduring performance and quality required to establish and maintain an impeccable image.

## **Our commitment to serve you.**

At Toro, help is always easy to find. Get answers to your questions about equipment, parts, service, and other important information by calling 800.DIG.TORO; sending an e-mail to [Dingo@Toro.com](mailto:Dingo@Toro.com); or visiting [toro.com/dingo](http://toro.com/dingo), where you'll find information on dealer and rental locations, registration, owner's manuals, parts and safety information, and much, much more.



### Genuine Toro Parts

With Toro, quality and service don't end when you take delivery of your equipment. Genuine Toro parts are designed specifically for your machine to ensure it performs as intended.

Toro's commitment to you extends deep into our heritage and is demonstrated by our industry-leading 98% fill rate, full one-year warranty and on-time delivery. With Toro, you get much more than quality equipment, you get commitment and dedication from hundreds of people to ensure the uninterrupted productivity and durability of your equipment.

### Pro Parts Express

Toro's Pro Parts Express program minimizes downtime. Toro's expansive dealer network ensures ready access to the parts and service you will need from time to time. Although our dealers are well stocked, it's not feasible for them to carry every part. When your Toro dealer does not have the part you need, they can order it and have it shipped to you directly from Toro, saving you precious time. Now that's superior customer service. Ask your dealer about Toro Pro Parts Express today (not available in Canada).



### Extended Protection Plan

To help preserve your investment and provide assurance of your long-term satisfaction, Toro® offers the equipment industry's most comprehensive protection against unwanted repair bills. When your Toro warranty expires, Toro Protection Plus begins immediately and delivers peace of mind for the duration of the plan you purchased. (Not available in Canada.)



### Think and Live Safely

Toro cares about the wellbeing of you and your family, and is happy to provide safety training materials that can help protect you, your employees and your business.



### For the Toro® Dingo® Dealer Nearest You ...

Visit [toro.com/dingo](http://toro.com/dingo) and use the "Dealer and Rental Locator" to find out where to buy, service or rent a Dingo compact utility loader. Our national network of factory-authorized dealers can also provide you with genuine Toro parts and service support.



### TRX Tracked Trenchers Deliver Stability, Maneuverability ... and Toro's Proven Reliability.

Operator-friendly controls plus a low-profile tracked design make TRX walk-behind trenchers easy to use and more stable and maneuverable on almost any terrain — which means faster trenching and faster profits for you. Call your local Toro dealer today or visit [toro.com/trx](http://toro.com/trx) for more information.



Products depicted in this literature are for demonstration purposes only. Actual products offered for sale may vary in use, design, required attachments and safety features. We reserve the right to improve our products and make changes in specifications, designs and standard equipment without notice and without incurring obligation. See your dealer for details on all of our warranties.

