



**Count on it.**

**Parts Catalog**

**Reelmaster® 5610 Traction Unit**

Model No. 03677—Serial No. 315000001 and Up

Model No. 03677N—Serial No. 315000001 and Up



# Ordering Replacement Parts

To order replacement parts, please supply the part number, the quantity, and the description of each part desired.

## Understanding Reference Numbers

Each identified part in an illustration has a reference number. The reference number for a part also appears in the parts list, along with other information about the part.

This catalog uses two special reference number formats, one to indicate parts in a service assembly and another to indicate the quantity of a given part in an illustration.

## Service Assembly Reference Numbers

Parts in service assemblies have reference numbers in the form a:b. The a represents the reference number of the entire service assembly and the b represents a sequential number unique to each part within the service assembly.

For example, a wheel assembly might be identified by reference number 6, the tire by 6:1, the valve by 6:2, and the wheel by 6:3. When you order the assembly identified by reference number 6, you receive all parts identified by reference numbers 6:1, 6:2, and 6:3. However, you may also order any part individually. Reference numbers of this type appear in illustration and in parts lists.

## Reference Numbers Indicating Quantity

In an illustration, if a reference number indicates more than one part, the reference number has the form nX y. The n represents the quantity of the part, the X is the multiplication symbol, and the y represents the reference number.

For example, in an illustration, the reference number 2X 37 means that two of the parts identified by reference number 37 are indicated.

# List of Abbreviations

**AR:** as required

**ASM:** assembly

**BBC:** blade brake control

**BHTF:** button head thread forming

**CARR:** carriage

**CCW:** counter clockwise

**CW:** clockwise

**DEG:** degrees

**DPA:** Dual Point Adjustment

**ECM:** electronic control module

**EXT:** external

**FH:** flat head

**GA:** gauge

**HD:** heavy-duty

**HF:** hex flange

**HH:** hex head

**HHF:** hex head flange

**HHFTF:** hex head flange thread forming

**HJ:** hex jam

**HLH:** hex lag head

**HOC:** height-of-cut

**HP:** high pressure

**HSBH:** hex socket button head

**HSFH:** hex socket flat head

**HSH:** hex socket head

**HWH:** hex washer head

**HWHTF:** hex washer head thread forming

**HYD:** hydraulic

**LH:** left hand

**LP:** low pressure

**LPG:** Liquefied Petroleum Gas

**NI:** nylon insert

**NPTF:** national pipe thread fine

**PFH:** phillips flat head

**PPH:** phillips pan head

**PPHTF:** phillips pan head thread forming

**PRH:** phillips round head

**PTH:** phillips truss head

**PTO:** power-take-off

**RH:** right hand

**ROPS:** roll-over protection system

**RRB:** rear roller brush

**SFH:** slotted fillister head

**SHH:** slotted hex head

**SHWH:** slotted hex washer head

**SPH:** slotted pan head

**SQH:** square head

**SRH:** slotted round head

**STD:** standard

**TAP:** self tapping

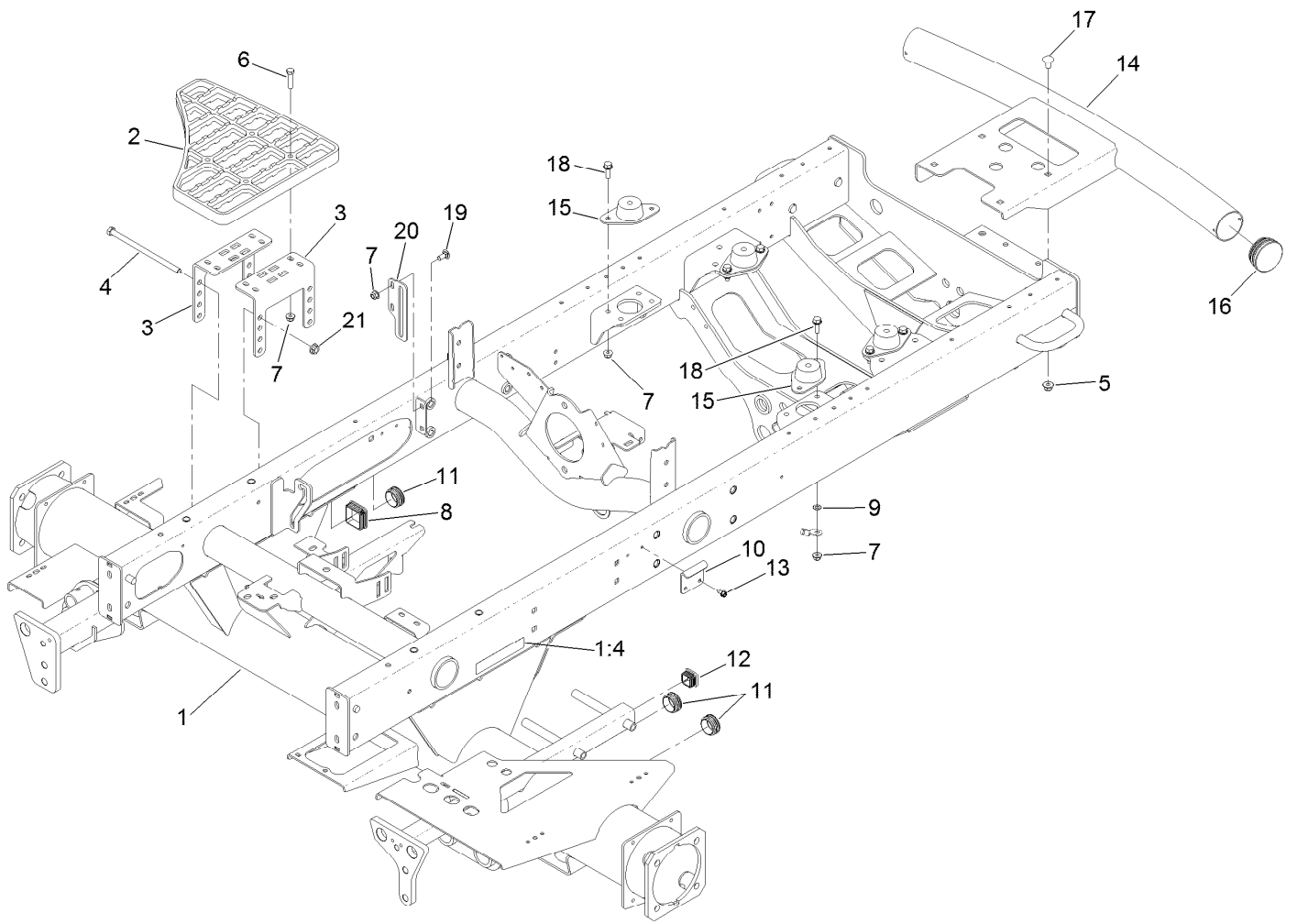
**TTH:** torx truss head

# Contents

|  |    |
|--|----|
| Frame Assembly                                   | 5  |
| Operator Platform Assembly                       | 6  |
| Pedal Assembly                                   | 7  |
| Steering Assembly                                | 9  |
| Steering Tilt Column Assembly No. 106-3622       | 10 |
| Steering Valve Assembly No. 106-3621             | 11 |
| Console and Control Arm Assembly                 | 12 |
| Joystick Bracket Assembly No. 120-5280           | 14 |
| Front Axle Assembly                              | 15 |
| LH Brake Assembly No. 120-6261                   | 16 |
| RH Brake Assembly No. 120-6260                   | 17 |
| Rear Axle Assembly                               | 18 |
| Tie Rod Assembly No. 110-5334-03                 | 19 |
| Hub and Spindle Assembly No. 117-8961            | 20 |
| No. 1, 4 and 5 Lift Arm Assembly                 | 21 |
| No. 2 and 3 Lift Arm Assembly                    | 22 |
| Seat and Control Arm Wiring Harness Assembly     | 23 |
| Main Wiring Harness Assembly                     | 24 |
| Battery Mounting Assembly                        | 25 |
| Gear Pump Assembly                               | 26 |
| Gear Pump Assembly No. 107-4547                  | 27 |
| Seat Base Assembly                               | 28 |
| Hood Assembly                                    | 29 |
| Cooling System Assembly                          | 30 |
| Hydraulic Tank Assembly                          | 32 |
| Fuel System Assembly                             | 33 |
| Seat Mounting Assembly                           | 35 |
| Mechanical Seat Suspension Assembly No. 110-8851 | 36 |
| Traction Pump Mounting Assembly                  | 37 |
| Hydraulic Pump Assembly No. 119-6972             | 38 |
| Traction Hydraulic Assembly                      | 40 |
| Hydraulic Motor Assembly No. 120-6264 (CCW)      | 41 |
| Hydraulic Motor Assembly No. 120-6265 (CW)       | 42 |
| No. 1, 4 and 5 Reel Drive Hydraulic Assembly     | 43 |
| Hydraulic Motor Assembly No. 120-6272            | 45 |
| Manifold Assembly No. 121-5628                   | 46 |
| No. 2 and 3 Reel Drive Hydraulic Assembly        | 47 |
| No. 1, 4 and 5 Lift Arm Hydraulic Assembly       | 49 |
| Hydraulic Cylinder Assembly No. 119-6988         | 50 |
| Hydraulic Cylinder Assembly No. 119-6987         | 51 |
| Hydraulic Manifold Block Assembly No. 105-7577   | 52 |
| No. 2 and 3 Lift Arm Hydraulic Assembly          | 53 |
| Steering Hydraulic Assembly                      | 54 |
| Hydraulic Cylinder Assembly No. 110-9035         | 56 |
| Engine, Muffler and Air Cleaner Assembly         | 57 |
| Air Cleaner Assembly No. 110-8917                | 59 |
| Driveshaft Assembly No. 108-1641                 | 60 |
| Crankcase Assembly                               | 61 |
| Oil Pan Assembly                                 | 62 |
| Cylinder Head Assembly                           | 63 |
| Gear Case Assembly                               | 64 |
| Cylinder Head Cover Assembly                     | 65 |
| Dipstick and Guide Assembly                      | 66 |
| Main Bearing Case Assembly                       | 67 |

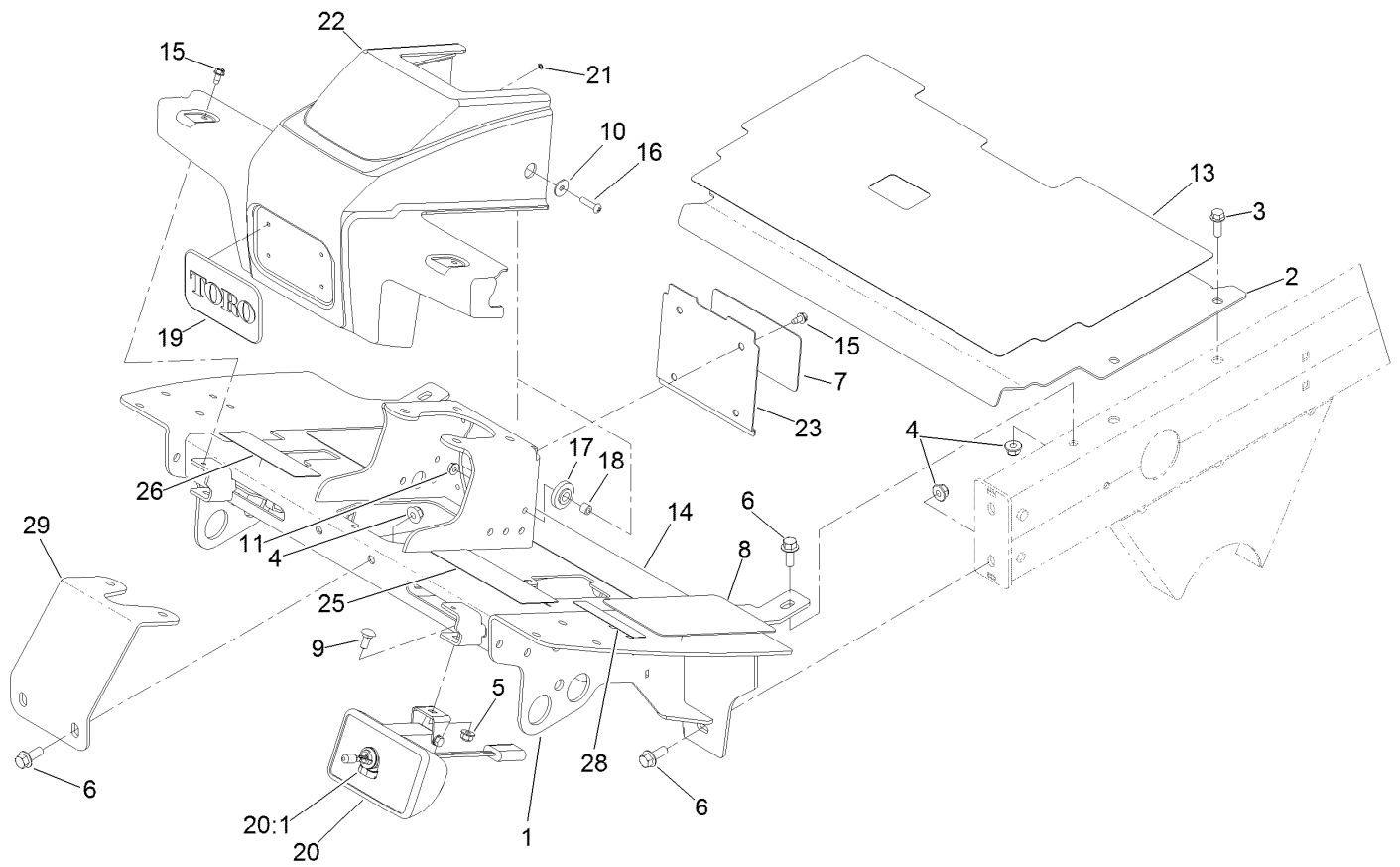
# Contents (continued)

|   |    |
|---|----|
| Cam Shaft and Idle Gear Shaft Assembly .....    | 68 |
| Piston and Crankshaft Assembly .....            | 69 |
| Flywheel Assembly .....                         | 70 |
| Fuel Camshaft and Governor Shaft Assembly ..... | 71 |
| Idle Apparatus Assembly .....                   | 72 |
| Injection Pump Assembly .....                   | 73 |
| Speed Control Plate Assembly .....              | 74 |
| Nozzle Holder and Glow Plug Assembly .....      | 75 |
| Nozzle Holder Component Assembly .....          | 76 |
| Governor Assembly .....                         | 77 |
| Alternator and Pulley Assembly .....            | 78 |
| Alternator Components Assembly .....            | 79 |
| Starter Assembly .....                          | 80 |
| Water Flange and Thermostat Assembly .....      | 81 |
| Water Pump Assembly .....                       | 82 |
| Overflow Bottle Assembly .....                  | 83 |
| Valve and Rocker Arm Assembly .....             | 84 |
| Inlet and Exhaust Manifold Assembly .....       | 85 |
| Turbo Charger Assembly .....                    | 86 |
| Oil Pipe (Turbo Charger) Assembly .....         | 87 |
| Oil Cooler Assembly .....                       | 88 |
| Attachments and Accessories .....               | 89 |



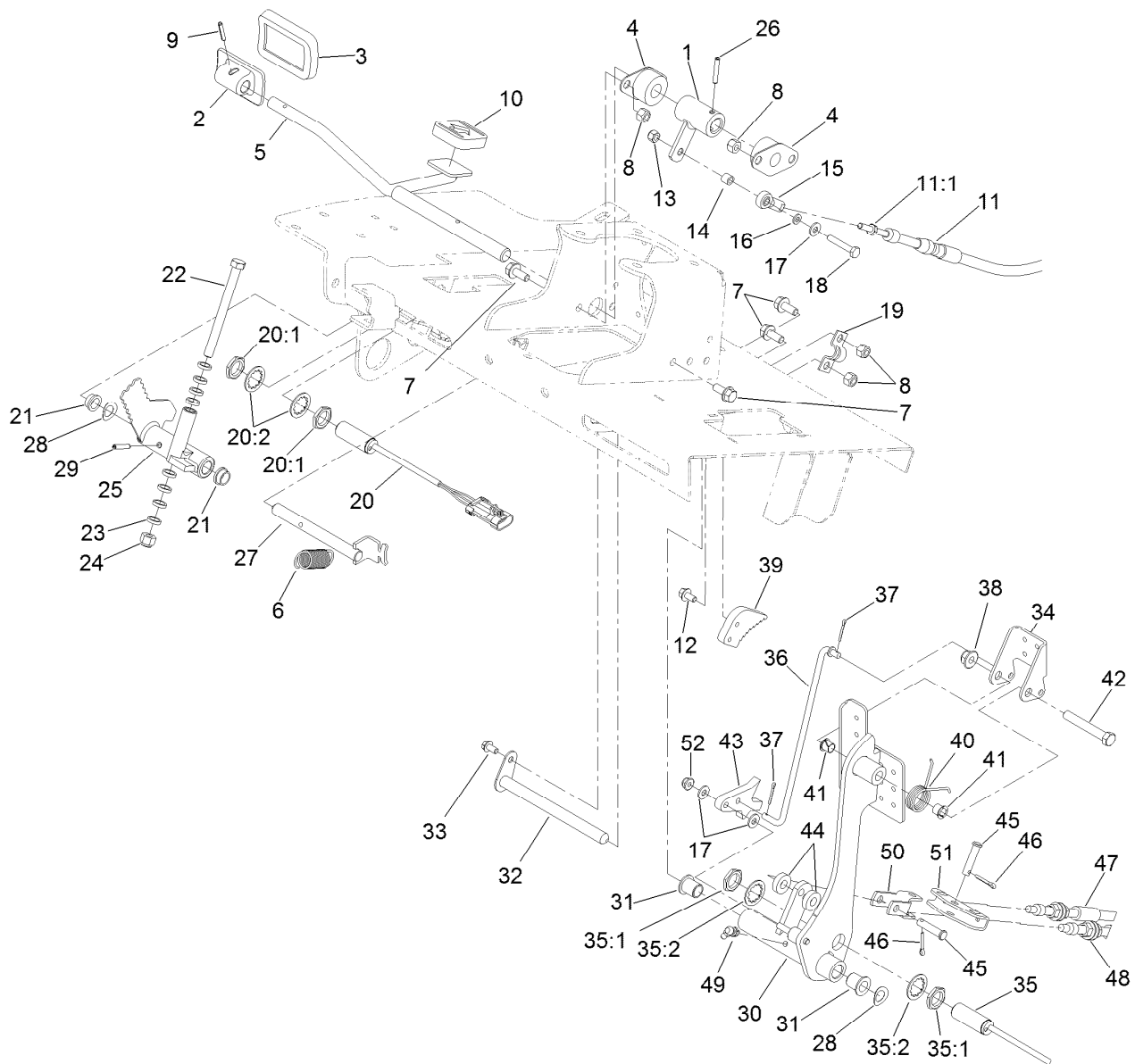
## Frame Assembly

| <i>Ref.</i> | <i>Part Number</i> | <i>Qty.</i> | <i>Description</i> | <i>Ref.</i> | <i>Part Number</i> | <i>Qty.</i> | <i>Description</i> |
|-------------|--------------------|-------------|--------------------|-------------|--------------------|-------------|--------------------|
| 1           | 120-3803           | 1           | Frame ASM          | 11          | 110-9012           | 3           | Caplug             |
| 1:4         | 93-6689            | 2           | Decal-No Riders    | 12          | 110-9013           | 1           | Caplug             |
| 2           | 110-9041           | 2           | Step-Aluminum      | 13          | 32104-17           | 2           | Screw-HWH          |
| 3           | 117-5161-01        | 4           | Bracket-Step       | 14          | 110-8951-03        | 1           | Bumper             |
| 4           | 323-36             | 4           | Screw-HH           | 15          | 120-6274           | 4           | Mount-Engine       |
| 5           | 104-8301           | 4           | Nut-Flange, NI     | 16          | 2410-42            | 2           | Cap-End            |
| 6           | 322-17             | 8           | Screw-HH           | 17          | 3231-21            | 4           | Screw-CARR         |
| 7           | 104-8300           | 18          | Nut-Flange, NI     | 18          | 3234-29            | 8           | Screw-HHF          |
| 8           | 95-9495            | 1           | Cap                | 19          | 3230-1             | 2           | Bolt-CARR          |
| 9           | 3255-8             | 1           | Washer-Lock        | 20          | 108-7584-01        | 1           | Plate-Guide, Rod   |
| 10          | 110-8972           | 1           | Hook-Latch         | 21          | 32128-21           | 4           | Nut-HF             |



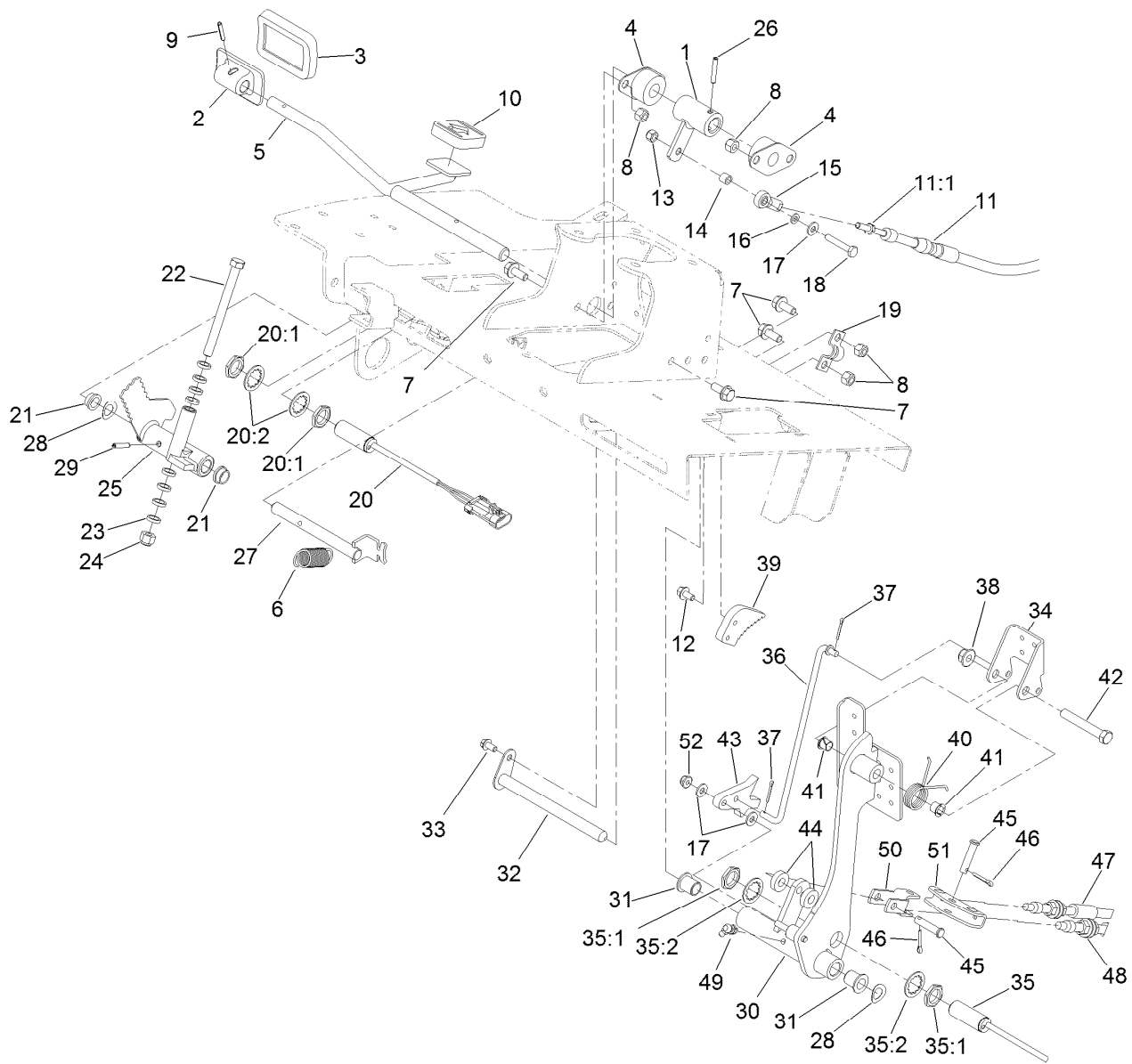
## Operator Platform Assembly

| <i>Ref.</i> | <i>Part Number</i> | <i>Qty.</i> | <i>Description</i>  | <i>Ref.</i> | <i>Part Number</i> | <i>Qty.</i> | <i>Description</i>    |
|-------------|--------------------|-------------|---------------------|-------------|--------------------|-------------|-----------------------|
| 1           | 117-0161-01        | 1           | Platform            | 16          | 106-9518           | 2           | Screw-PRH             |
| 2           | 115-8064-01        | 1           | Plate-Floor         | 17          | 240-11             | 2           | Bushing-Flange        |
| 3           | 3234-17            | 4           | Screw-HHF           | 18          | 66-8010            | 2           | Spacer-Hub, Impeller  |
| 4           | 104-8301           | 6           | Nut-Flange, NI      | 19          | 93-6028            | 1           | Plate-Logo            |
| 5           | 104-8300           | 2           | Nut-Flange, NI      | 20          | 94-9024            | 2           | Lamp ASM              |
| 6           | 3234-11            | 6           | Screw-HHF           | 20:1        | 95-0909            | 1           | Lamp-12 Volt          |
| 7           | 110-0986           | 1           | Decal-Plate, Cover  | 21          | 3254-9             | 4           | Washer-Lock, Internal |
| 8           | 125-2910           | 2           | Tread-Floor, Side   | 22          | 110-0944           | 1           | Shroud-Platform       |
| 9           | 3230-1             | 2           | Bolt-CARR           | 23          | 110-0947-03        | 1           | Plate-Cover           |
| 10          | 87-6630            | 2           | Washer-Plain        | 25          | 110-8869           | 1           | Decal-Danger          |
| 11          | 32128-33           | 2           | Nut-HF              | 25          | 110-8973           | 1           | Decal-Danger          |
| 13          | 125-2911           | 1           | Tread-Service Panel | 26          | 110-8921           | 1           | Decal-Speed, Mow      |
| 14          | 125-2909           | 1           | Tread-Floor Board   | 28          | 117-2718           | 1           | Decal-Arrester, Spark |
| 15          | 32104-17           | 6           | Screw-HWH           | 29          | 110-8876-01        | 1           | Brace-Column          |



## Pedal Assembly

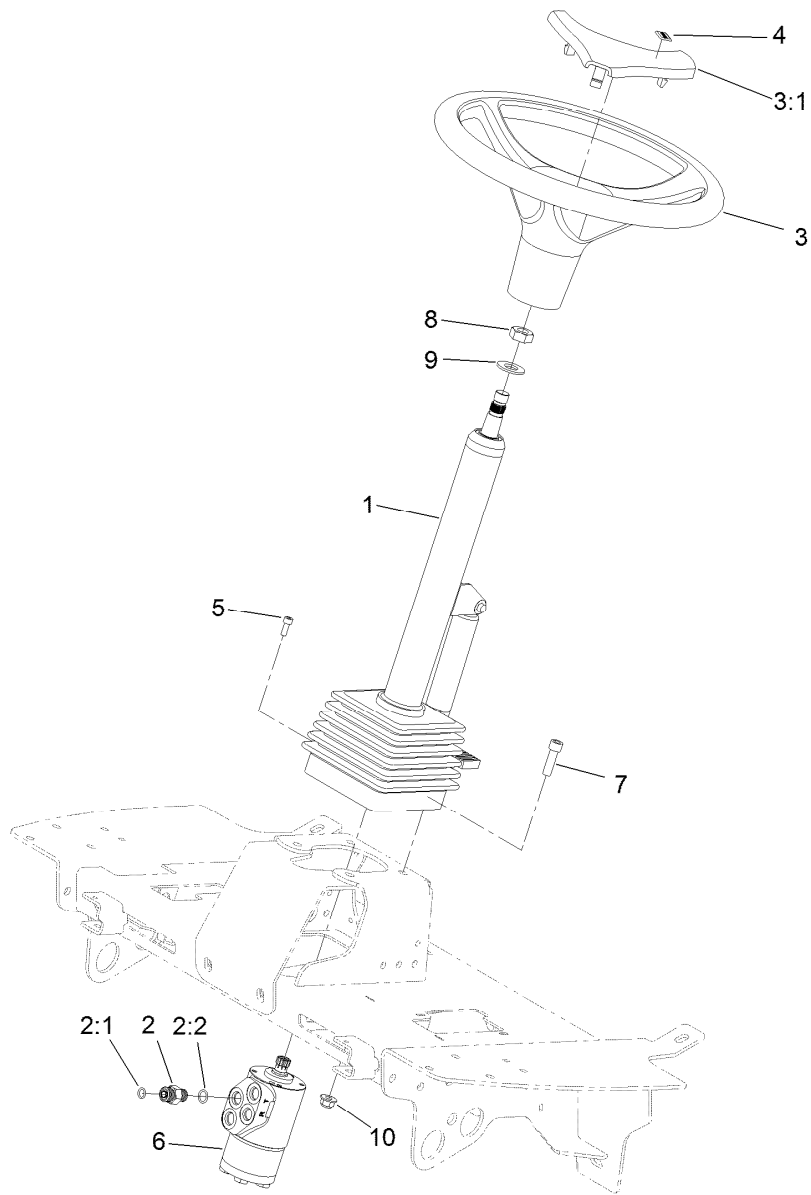
| Ref. | Part Number | Qty. | Description           | Ref. | Part Number | Qty. | Description                 |
|------|-------------|------|-----------------------|------|-------------|------|-----------------------------|
| 1    | 117-5199    | 1    | Hub-Traction Pedal    | 20:1 | 117-3207    | 2    | Nut-Hex                     |
| 2    | 117-9507    | 1    | Pedal-Accelerator     | 20:2 | 117-3208    | 2    | Washer-Lock, Internal Tooth |
| 3    | 74-9100     | 1    | Pad-Pedal, Forward    | 21   | 256-156     | 2    | Bushing-Flange              |
| 4    | 256-236     | 2    | Bearing-Mount, Flange | 22   | 323-17      | 1    | Screw-HH                    |
| 5    | 106-3840    | 1    | Pedal-Traction        | 23   | 62-4420     | 8    | Washer                      |
| 6    | 92-7305     | 1    | Spring-Extension      | 24   | 3296-39     | 1    | Nut-Lock, NI                |
| 7    | 3234-5      | 6    | Screw-HHF             | 25   | 117-8066    | 1    | Mow-Stop                    |
| 8    | 3296-29     | 6    | Nut-Lock, NI          | 26   | 32121-6     | 1    | Pin-Roll, Slotted           |
| 9    | 32121-45    | 1    | Pin-Spring            | 27   | 106-3731    | 1    | Rod-Pivot                   |
| 10   | 74-9110     | 1    | Pad-Pedal, Reverse    | 28   | 110-8982    | 2    | Washer-Spring               |
| 11   | 107-2084    | 1    | Traction Cable ASM    | 29   | 32121-16    | 1    | Pin-Spring                  |
| 11:1 | 3220-1      | 2    | Nut-Jam               | 30   | 115-0120-03 | 1    | Pedal-Brake                 |
| 12   | 3234-13     | 2    | Screw-HHF             | 31   | 125-8775    | 2    | Bushing-Flange              |
| 13   | 3296-42     | 1    | Nut-Lock, NI          | 32   | 104-7179    | 1    | Pivot-Pedal                 |
| 14   | 66-8010     | 1    | Spacer-Hub, Impeller  | 33   | 32144-4     | 1    | Screw-HWH                   |
| 15   | 2411-41     | 1    | Rod End-Ball Joint    | 34   | 99-7963-03  | 1    | Pedal-Park                  |
| 16   | 33093-00    | 1    | Washer-Flat           | 35   | 115-5300    | 1    | Proximity Switch ASM        |
| 17   | 3256-22     | 3    | Washer-Flat           | 35:1 | 117-3207    | 2    | Nut-Hex                     |
| 18   | 321-9       | 1    | Screw-HH              | 35:2 | 117-3208    | 2    | Washer-Lock, Internal Tooth |
| 19   | 93-2092     | 1    | Clamp-Cable           | 36   | 115-0129    | 1    | Rod-Pawl, Brake             |
| 20   | 115-0282    | 1    | Sensor-Proximity      | 37   | 3272-6      | 2    | Pin-Cotter                  |



## Pedal Assembly (continued)

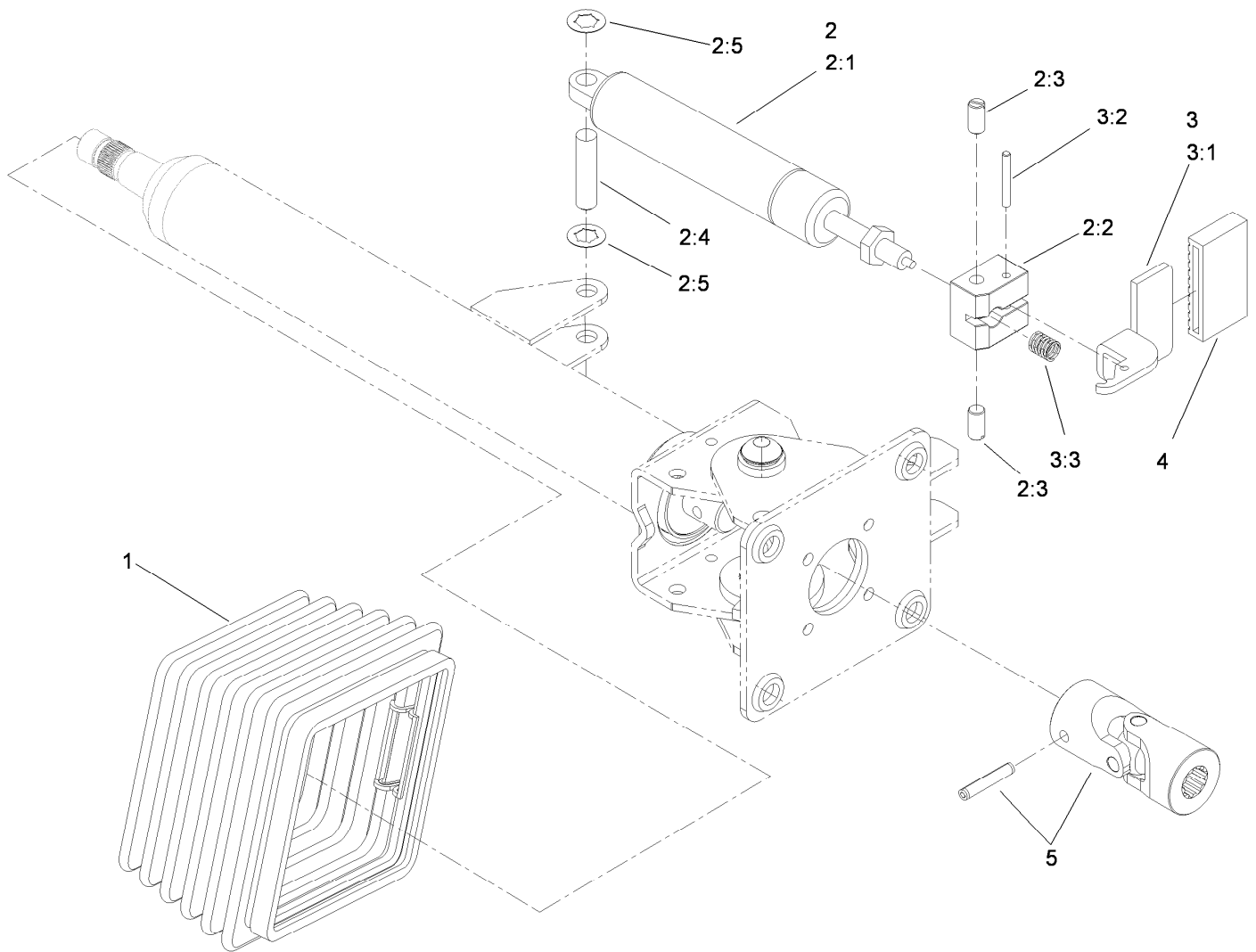
| <i>Ref.</i> | <i>Part Number</i> | <i>Qty.</i> | <i>Description</i>     | <i>Ref.</i> | <i>Part Number</i> | <i>Qty.</i> | <i>Description</i> |
|-------------|--------------------|-------------|------------------------|-------------|--------------------|-------------|--------------------|
| 38          | 104-8301           | 1           | Nut-Flange, NI         | 46          | 3272-10            | 2           | Pin-Cotter         |
| 39          | 99-7214            | 1           | Pawl-Brake             | 47          | 117-0106           | 1           | Cable-Brake, RH    |
| 40          | 99-7140            | 1           | Spring-Torsion         | 48          | 117-0107           | 1           | Cable-Brake, LH    |
| 41          | 52-2891            | 2           | Bushing-Flanged, Nylon | 49          | 302-60             | 1           | Fitting-Grease     |
| 42          | 323-12             | 1           | Screw-HH               | 50          | 115-8060           | 1           | Clevis-Double      |
| 43          | 117-0238           | 1           | Detent                 | 51          | 115-8059           | 1           | Yoke-Cable         |
| 44          | 5-0652             | 2           | Spacer                 | 52          | 104-7201           | 1           | Nut-HF             |
| 45          | 283-14             | 2           | Pin-Clevis             |             |                    |             |                    |





## Steering Assembly

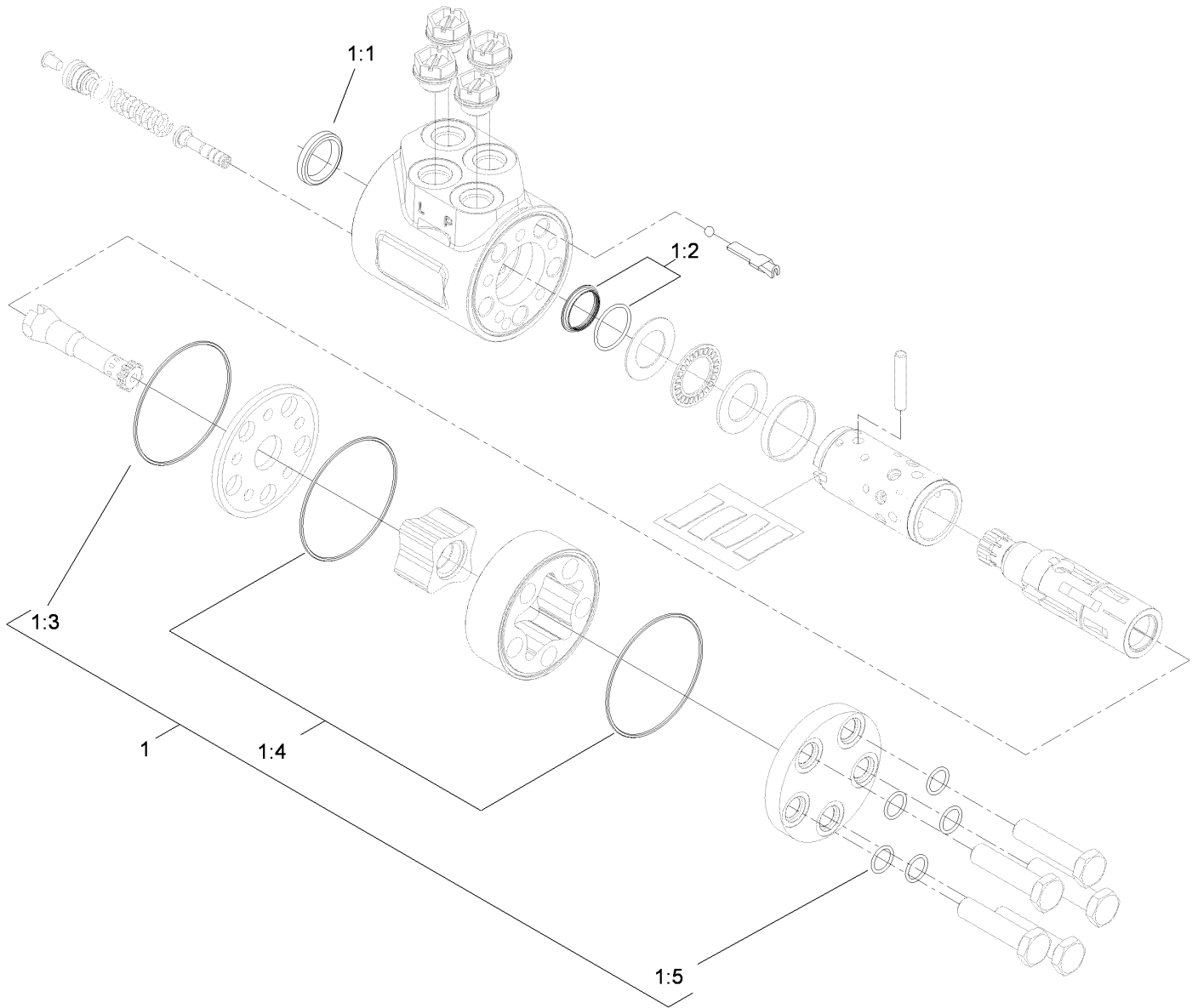
| Ref. | Part Number | Qty. | Description              |
|------|-------------|------|--------------------------|
| 1    | 106-3622    | 1    | Steering Tilt Column ASM |
| 2    | 340-2       | 4    | Fitting-HYD, Straight    |
| 2:1  | 237-22      | 1    | O-Ring                   |
| 2:2  | 237-42      | 1    | O-Ring                   |
| 3    | 98-1471     | 1    | Wheel-Steering           |
| 3:1  | 98-1468     | 1    | Cover-Wheel, Steering    |
| 4    | 98-1459     | 1    | Decal                    |
| 5    | 105-2409    | 4    | Screw-HSH                |
| 6    | 106-3621    | 1    | Steering Valve ASM       |
| 7    | 3274-1      | 4    | Screw-HSH                |
| 8    | 3296-33     | 1    | Nut-Lock, NI             |
| 9    | 3256-27     | 1    | Washer-Flat              |
| 10   | 104-8301    | 4    | Nut-Flange, NI           |



## Steering Tilt Column Assembly No. 106-3622

| Ref. | Part Number | Qty. | Description          |
|------|-------------|------|----------------------|
| 1    | 110-6462    | 1    | Bellows-Rubber       |
| 2    | 110-6463    | 1    | Cylinder Service Kit |
| 2:1  |             | 1    | Cylinder-Gas ●       |
| 2:2  |             | 1    | Block-Pedal ●        |
| 2:3  |             | 2    | Bolt ●               |
| 2:4  |             | 1    | Pin ●                |
| 2:5  |             | 2    | Washer-Lock ●        |
| 3    | 110-6464    | 1    | Pedal Service Kit    |
| 3:1  |             | 1    | Pedal ●              |
| 3:2  |             | 1    | Pin ●                |
| 3:3  |             | 1    | Spring ●             |
| 4    | 110-6465    | 1    | Cover-Pedal          |
| 5    | 120-6256    | 1    | Universal Joint Kit  |

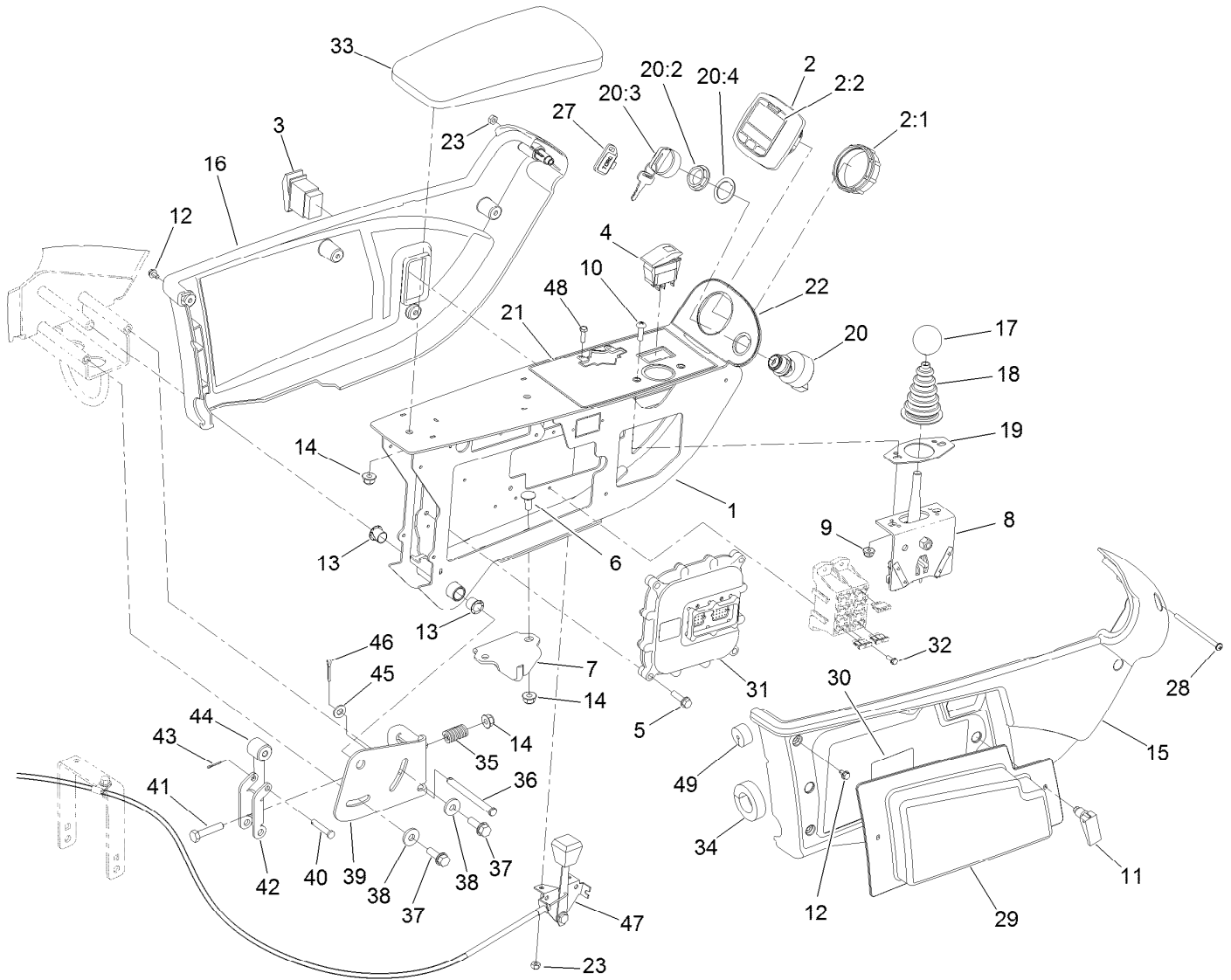
● Not serviced separately



## Steering Valve Assembly No. 106-3621

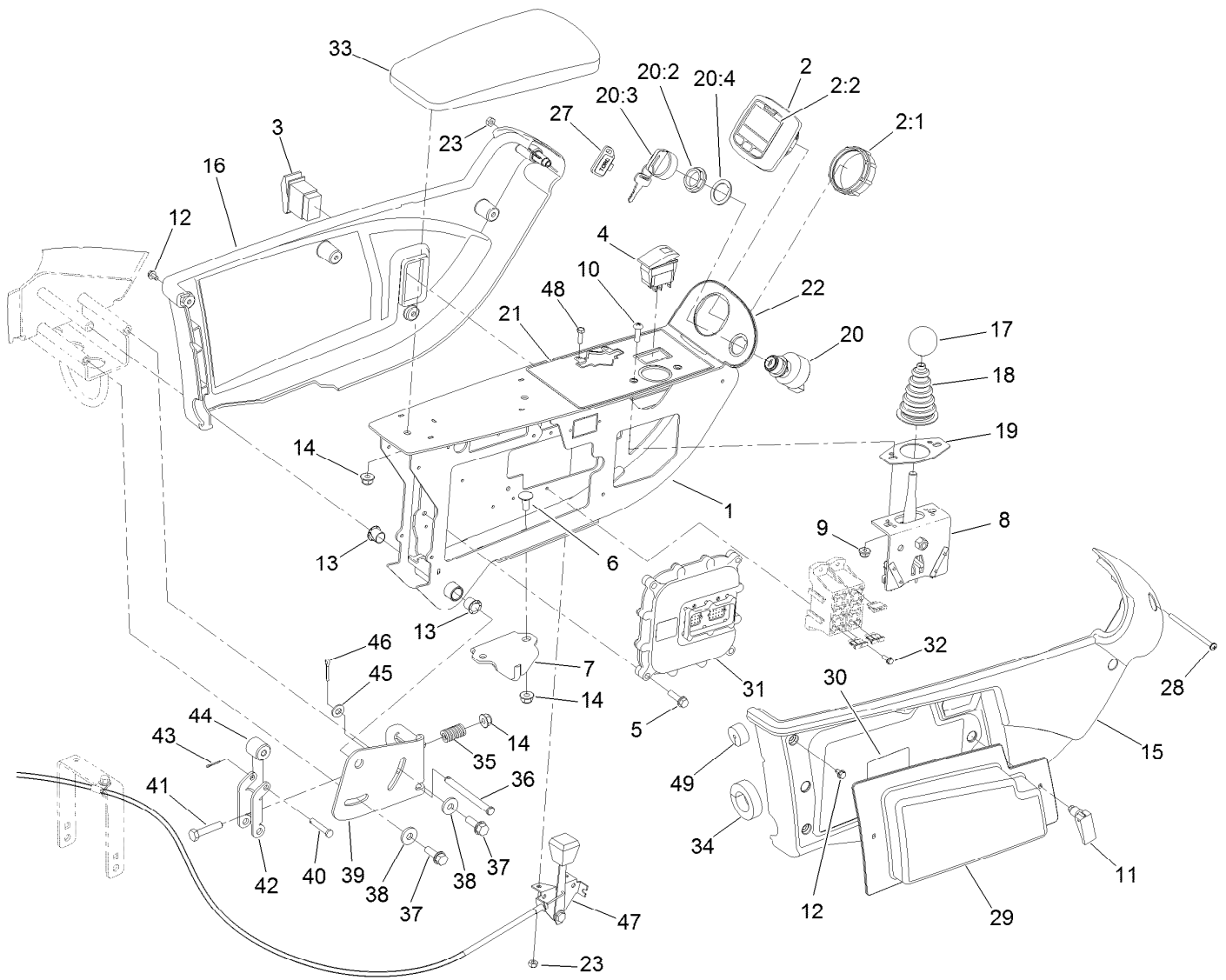
| <i>Ref.</i> | <i>Part Number</i> | <i>Qty.</i> | <i>Description</i> |
|-------------|--------------------|-------------|--------------------|
| 1           | 106-6716           | 1           | Seal Kit           |
| 1:1         |                    | 1           | Ring-Seal, Dust ●  |
| 1:2         |                    | 1           | Seal-Shaft ●       |
| 1:3         |                    | 1           | O-Ring ●           |
| 1:4         |                    | 2           | O-Ring ●           |
| 1:5         |                    | 5           | O-Ring ●           |

● Not serviced separately



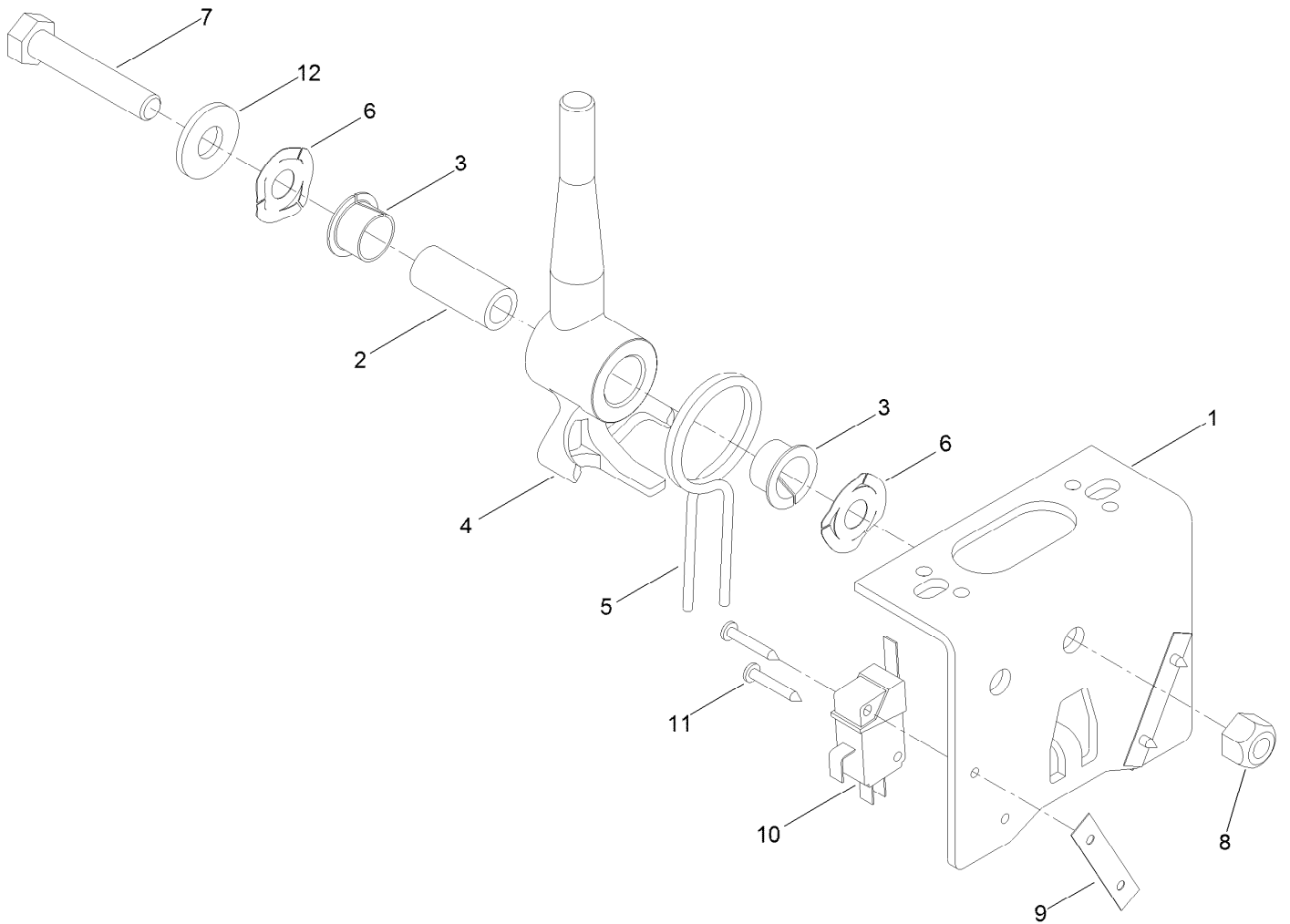
## Console and Control Arm Assembly

| Ref. | Part Number | Qty. | Description          | Ref. | Part Number | Qty. | Description          |
|------|-------------|------|----------------------|------|-------------|------|----------------------|
| 1    | 120-3801-03 | 1    | Frame-Control Arm    | 20   | 106-5269    | 1    | Ignition Switch ASM  |
| 2    | 120-6310    | 1    | Lcd Display ASM      | 20:2 | 108-8660    | 1    | Nut-Mounting         |
| 2:1  | 120-4630    | 1    | Nut-Display          | 20:3 | 106-5270    | 1    | Ignition Key Set     |
| 2:2  | 120-6311    | 1    | Decal-Display        | 20:4 | 108-8659    | 1    | Washer-Backup        |
| 3    | 95-8999     | 1    | Switch               | 21   | 121-5644    | 1    | Decal-Control Panel  |
| 4    | 105-4232    | 1    | Switch               | 22   | 120-4158    | 1    | Decal-Console, Upper |
| 5    | 32144-86    | 4    | Screw-HWHTF          | 23   | 3296-2      | 3    | Nut-Lock, NI         |
| 6    | 3230-23     | 2    | Screw-CARR           | 27   | 99-8970     | 1    | Key-Latch, Hood      |
| 7    | 110-5340    | 1    | Latch                | 28   | 3250-22     | 1    | Screw-PPH            |
| 8    | 120-5280    | 1    | Joystick Bracket ASM | 29   | 114-0446    | 1    | Panel-Access         |
| 9    | 104-7201    | 2    | Nut-HF               | 30   | 117-0169    | 1    | Decal-Fuses          |
| 10   | 3258-166    | 2    | Screw-PRH            | 31   | 114-3321    | 1    | Controller-Tec       |
| 11   | 74-5950     | 2    | Latch-Swell          | 32   | 32144-87    | 4    | Screw-HWHTF          |
| 12   | 104-2065    | 10   | Screw-HWH            | 33   | 108-7602    | 1    | Rest-Arm             |
| 13   | 256-257     | 2    | Bushing-Nyliner      | 34   | 110-8912    | 1    | Seal-Foam            |
| 14   | 104-8300    | 5    | Nut-Flange, NI       | 35   | 110-5331    | 1    | Spring-Compression   |
| 15   | 108-7605    | 1    | Cover-RH             | 36   | 283-88      | 1    | Pin-Clevis           |
| 16   | 108-7604    | 1    | Cover-LH             | 37   | 3234-29     | 2    | Screw-HHF            |
| 17   | 233-42      | 1    | Knob                 | 38   | 4-2390      | 2    | Washer-Flat          |
| 18   | 93-5961     | 1    | Boot-Lever           | 39   | 110-5313-03 | 1    | Bracket-Retainer     |
| 19   | 112-9181    | 1    | Plate-Boot           | 40   | 283-73      | 1    | Pin-Clevis           |



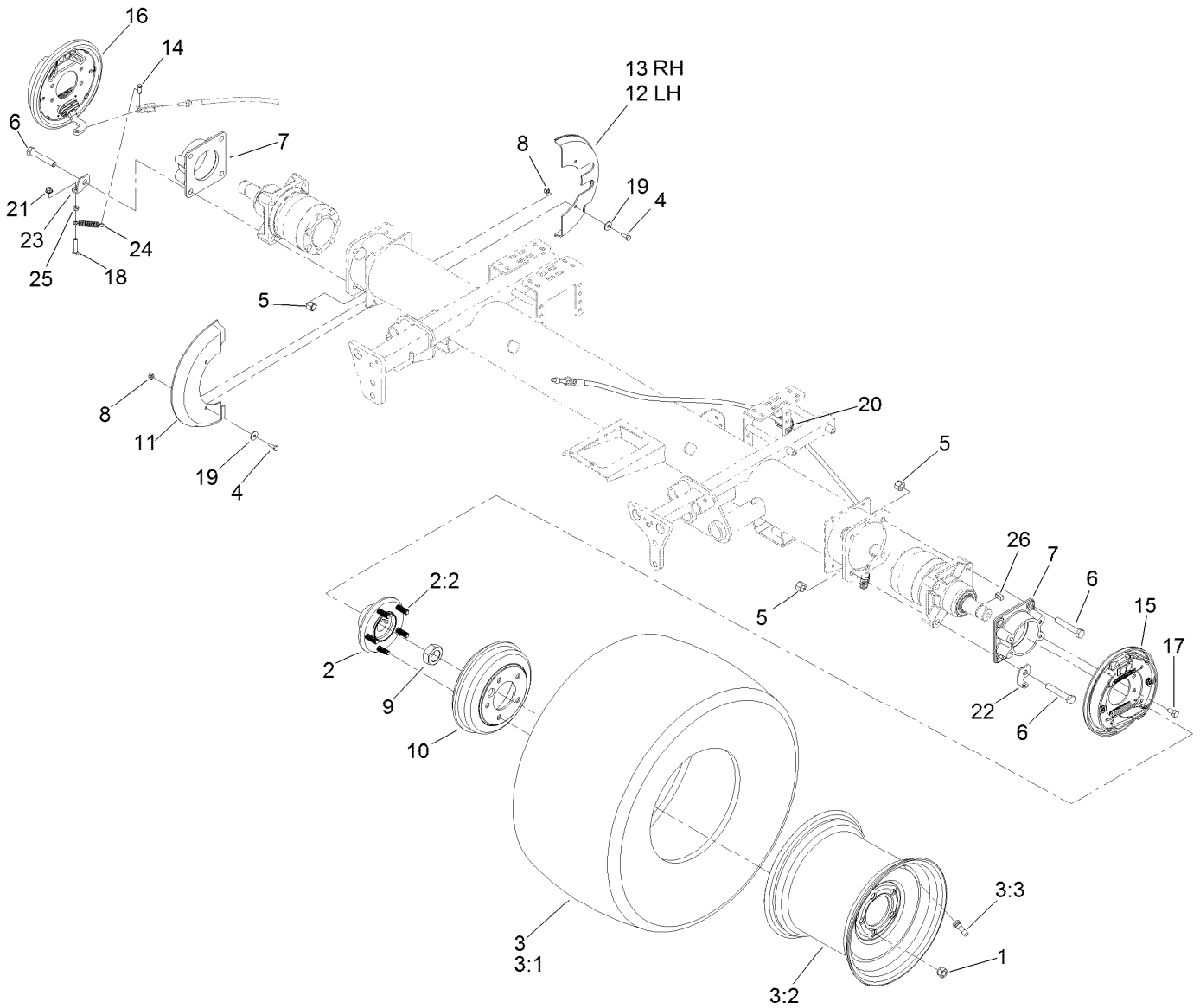
## Console and Control Arm Assembly (continued)

| <i>Ref.</i> | <i>Part Number</i> | <i>Qty.</i> | <i>Description</i> | <i>Ref.</i> | <i>Part Number</i> | <i>Qty.</i> | <i>Description</i> |
|-------------|--------------------|-------------|--------------------|-------------|--------------------|-------------|--------------------|
| 41          | 322-7              | 1           | Screw-HH           | 46          | 3272-10            | 1           | Pin-Cotter         |
| 42          | 110-5314           | 1           | Latch              | 47          | 114-8886           | 1           | Control-Throttle   |
| 43          | 3272-1             | 1           | Pin-Cotter         | 48          | 3290-134           | 2           | Screw              |
| 44          | 110-8856           | 1           | Spacer             | 49          | 110-8911           | 1           | Seal-Foam          |
| 45          | 3256-23            | 1           | Washer-Flat        |             |                    |             |                    |



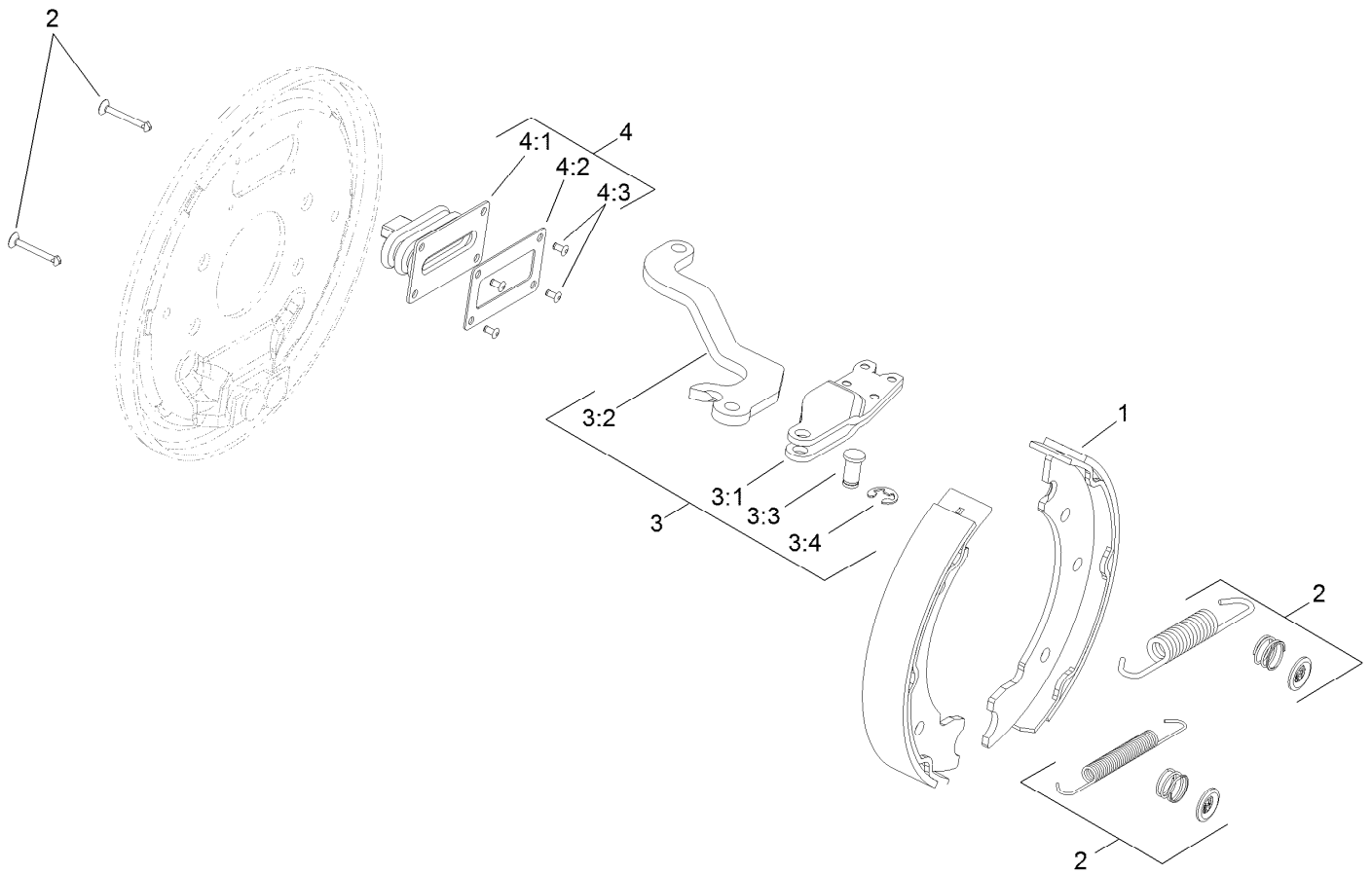
## Joystick Bracket Assembly No. 120-5280

| <i>Ref.</i> | <i>Part Number</i> | <i>Qty.</i> | <i>Description</i>    |
|-------------|--------------------|-------------|-----------------------|
| 1           | 115-5357-03        | 1           | Bracket-Joystick      |
| 2           | 106-4192           | 1           | Spacer                |
| 3           | 93-5547            | 2           | Bushing-Nylon         |
| 4           | 119-3540           | 1           | Hub-Pivot, Joystick   |
| 5           | 105-8289           | 1           | Spring-Torsion        |
| 6           | 106-4193           | 2           | Washer-Finger, Spring |
| 7           | 322-9              | 1           | Screw-HH              |
| 8           | 3296-29            | 1           | Nut-Lock, NI          |
| 9           | 3290-354           | 2           | Nut-Speed             |
| 10          | 108-6496           | 2           | Switch (W/Boot)       |
| 11          | 95-3003            | 4           | Screw-PPHTF           |
| 12          | 3256-3             | 1           | Washer-Flat           |



## Front Axle Assembly

| Ref. | Part Number | Qty. | Description         | Ref. | Part Number | Qty. | Description             |
|------|-------------|------|---------------------|------|-------------|------|-------------------------|
| 1    | 242-50      | 10   | Nut-Lug             | 12   | 110-0951    | 1    | Shield-Wheel, Rear (LH) |
| 2    | 121-5631    | 2    | Hub ASM             | 13   | 110-8878    | 1    | Shield-Wheel, Rear (RH) |
| 2:2  | 114-3918    | 5    | Stud-Wheel          | 14   | 283-62      | 2    | Pin-Clevis              |
| 3    | 117-5194    | 2    | Tire ASM            | 15   | 120-6261    | 1    | LH Brake ASM            |
| 3:1  | 117-5196    | 1    | Tire                | 16   | 120-6260    | 1    | RH Brake ASM            |
| 3:2  | 117-5197    | 1    | Wheel               | 17   | 323-4       | 8    | Screw-HH                |
| 3:3  | 232-27      | 1    | Stem-Valve          | 18   | 322-7       | 2    | Screw-HH                |
| 4    | 321-4       | 8    | Screw-HH            | 19   | 3256-67     | 8    | Washer-Flat             |
| 5    | 3296-23     | 8    | Nut-Lock, NI        | 20   | 3290-378    | 2    | Tie-Cable               |
| 6    | 325-12      | 8    | Screw-HH            | 21   | 104-8300    | 2    | Nut-Flange, NI          |
| 7    | 120-6253-03 | 2    | Adapter-Brake       | 22   | 120-6267    | 1    | Clip-Spring, LH         |
| 8    | 3296-42     | 8    | Nut-Lock, NI        | 23   | 120-6266    | 1    | Clip-Spring, RH         |
| 9    | 117-3290    | 2    | Nut-Hex             | 24   | 87-4020     | 2    | Spring-Extension        |
| 10   | 114-8864    | 2    | Drum-Brake          | 25   | 3218-2      | 2    | Nut-Jam                 |
| 11   | 110-0950    | 2    | Shield-Wheel, Front | 26   | 117-5198    | 2    | Key-Square              |

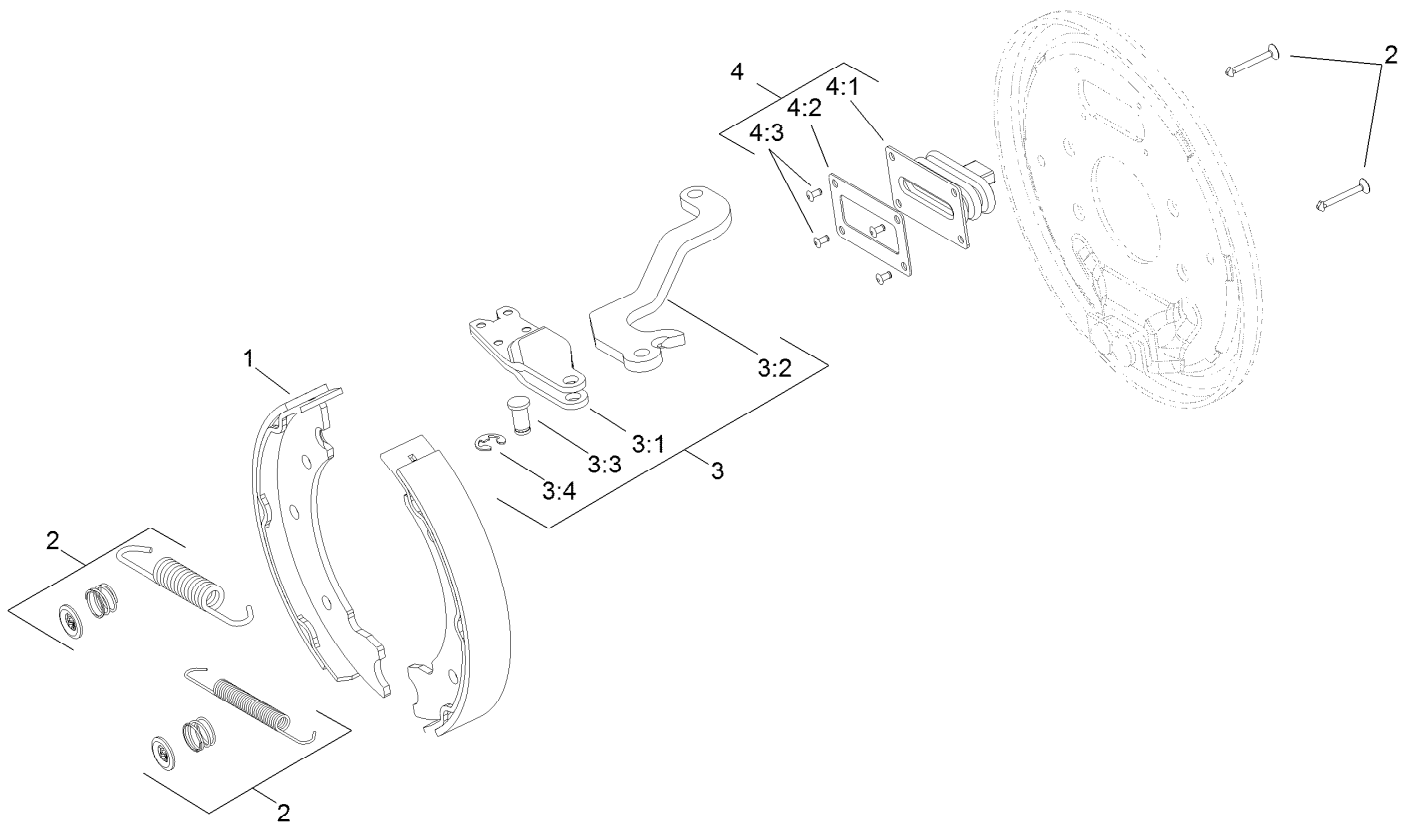


## LH Brake Assembly No. 120-6261

| Ref. | Part Number | Qty. | Description        |
|------|-------------|------|--------------------|
| 1    | 108-6981    | 1    | Brake Shoe Kit     |
| 2    | 108-6983    | 1    | Brake Hardware Kit |
| 3    | 110-8910    | 1    | LH Actuator Kit    |
| 3:1  |             | 1    | Housing ●          |
| 3:2  |             | 1    | Lever-LH ●         |
| 3:3  |             | 1    | Pin-Pivot ●        |
| 3:4  |             | 1    | E-Ring ●           |
| 4    | 110-8885    | 1    | Dust Boot Kit      |
| 4:1  |             | 1    | Boot ●             |
| 4:2  |             | 1    | Plate-Back Up ●    |
| 4:3  |             | 2    | Rivet ●            |

● Not serviced separately

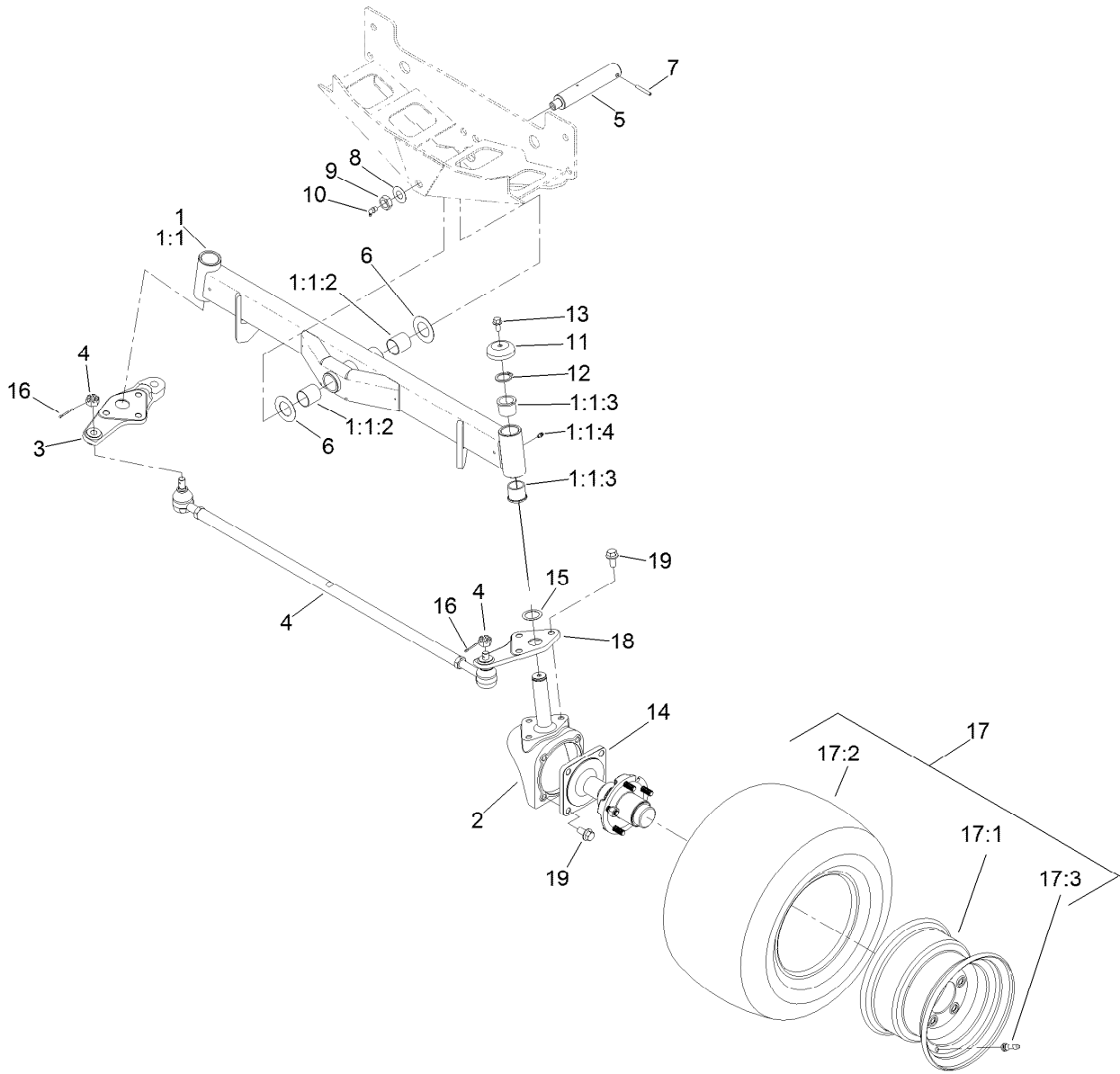




## RH Brake Assembly No. 120-6260

| Ref. | Part Number | Qty. | Description        |
|------|-------------|------|--------------------|
| 1    | 108-6981    | 1    | Brake Shoe Kit     |
| 2    | 108-6983    | 1    | Brake Hardware Kit |
| 3    | 110-8884    | 1    | RH Actuator Kit    |
| 3:1  |             | 1    | Housing ●          |
| 3:2  |             | 1    | Lever-RH ●         |
| 3:3  |             | 1    | Pin-Pivot ●        |
| 3:4  |             | 1    | E-Ring ●           |
| 4    | 110-8885    | 1    | Dust Boot Kit      |
| 4:1  |             | 1    | Boot ●             |
| 4:2  |             | 1    | Plate-Back Up ●    |
| 4:3  |             | 2    | Rivet ●            |

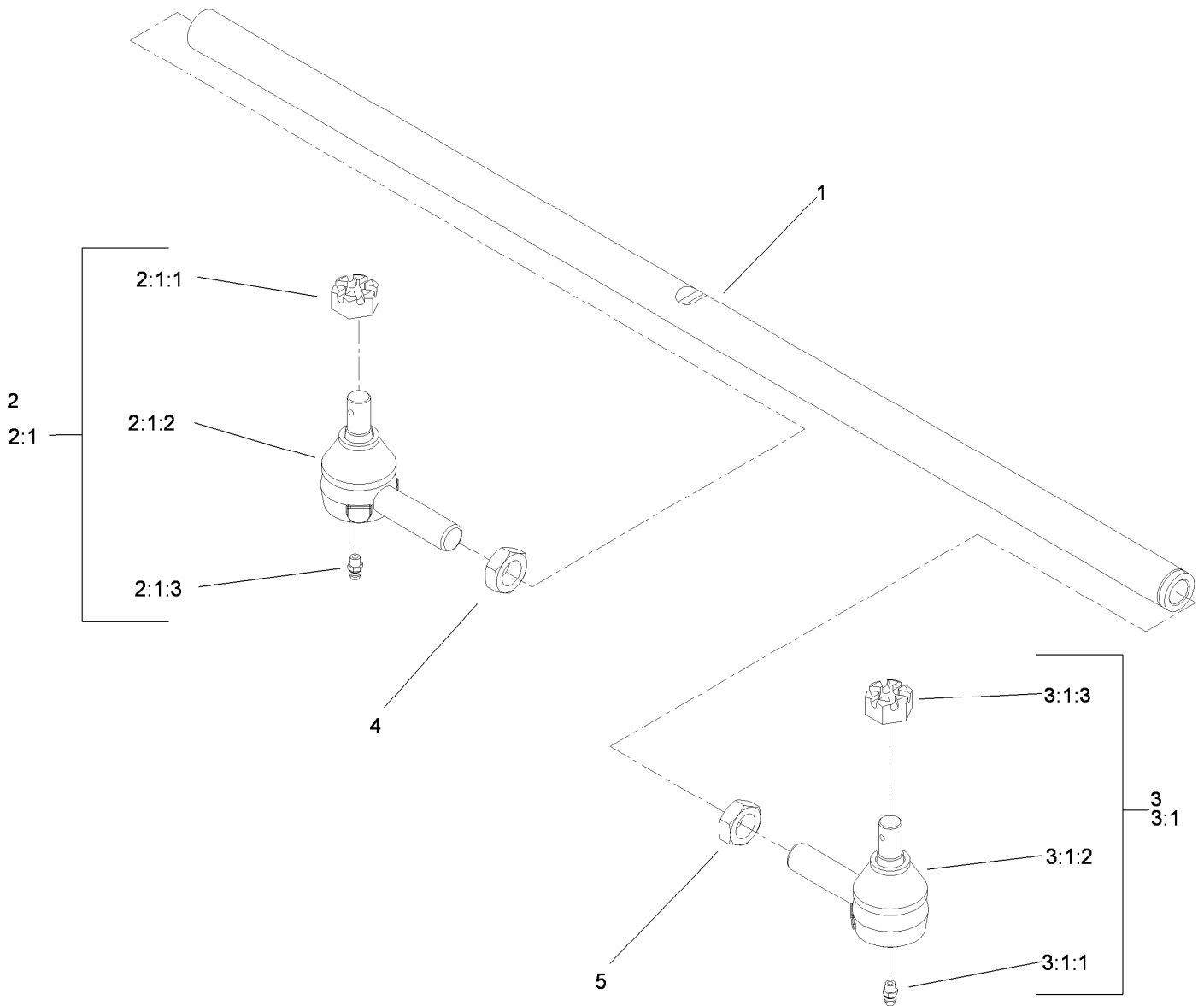
● Not serviced separately



## Rear Axle Assembly

| Ref.  | Part Number | Qty. | Description     | Ref. | Part Number | Qty. | Description              |
|-------|-------------|------|-----------------|------|-------------|------|--------------------------|
| 1     | 107-4546-03 | 1    | Axle ASM        | 10   | 302-33      | 1    | Fitting-Grease           |
| 1:1   |             | 1    | Axle ●          | 11   | 69-8890     | 2    | Cap-Spindle              |
| 1:1:2 | 99-6964     | 2    | Bushing-Axle    | 12   | 32151-77    | 2    | Ring-Retaining, External |
| 1:1:3 | 104-0015    | 4    | Bushing-Flange  | 13   | 3234-1      | 2    | Screw-HHF                |
| 1:1:4 | 302-5       | 2    | Fitting-Grease  | 14   | 117-8961    | 2    | Hub And Spindle ASM      |
| 2     | 107-4517-03 | 2    | Housing-Motor   | 15   | 76-2980     | 2    | Washer-Thrust            |
| 3     | 110-5295-03 | 1    | Link-Drag, RH   | 16   | 3272-12     | 2    | Pin-Cotter               |
| 4     | 110-5334-03 | 1    | Tie Rod ASM     | 17   | 117-0281    | 2    | Rim And Tire ASM         |
| 5     | 98-8173     | 1    | Pin-Pivot, Axle | 17:1 | 117-0280    | 1    | Rim                      |
| 6     | 99-8432     | 2    | Washer-Thrust   | 17:2 | 117-5125    | 1    | Tire                     |
| 7     | 32121-32    | 1    | Pin-Roll        | 17:3 | 232-27      | 1    | Stem-Valve               |
| 8     | 71-4540     | 1    | Washer-Thrust   | 18   | 110-5297-03 | 1    | Link-Drag, LH            |
| 9     | 32146-20    | 1    | Nut-Hex         | 19   | 3234-6      | 14   | Screw-HHF                |

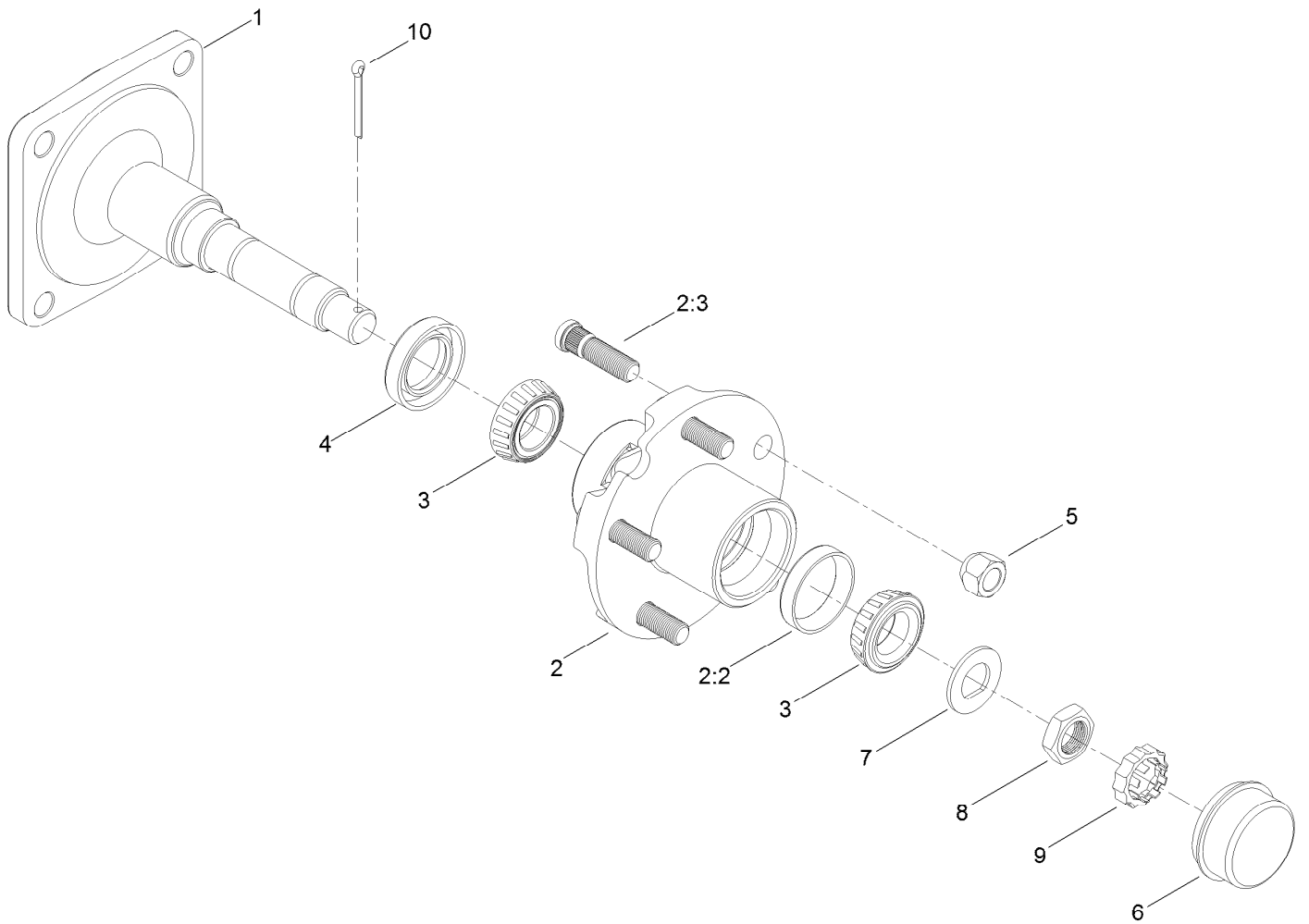
● Not serviced separately



## Tie Rod Assembly No. 110-5334-03

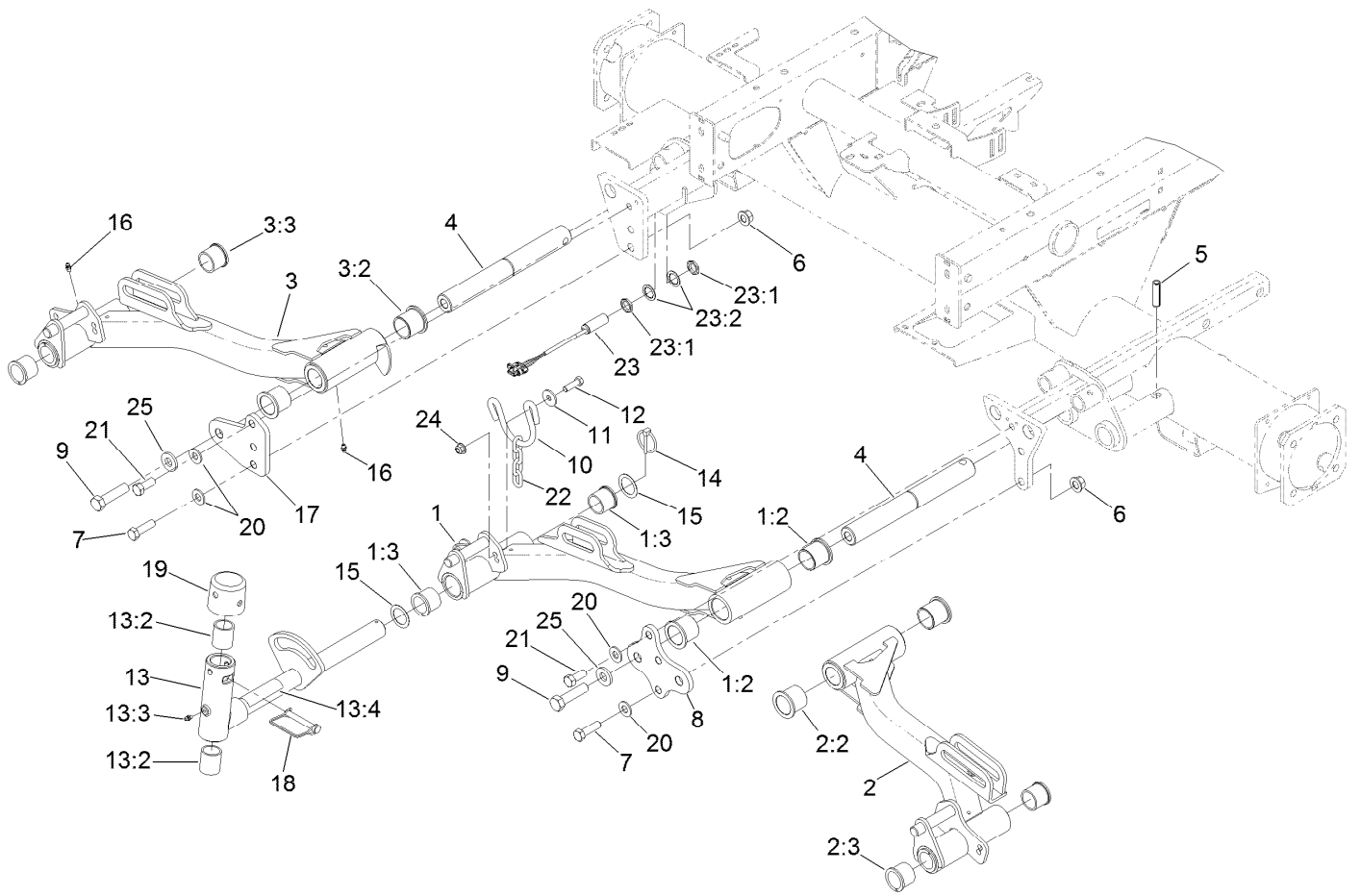
| Ref.  | Part Number | Qty. | Description         |
|-------|-------------|------|---------------------|
| 1     | 110-5335    | 1    | Rod-Tie             |
| 2     | 71-4740-03  | 1    | RH Tie Rod End ASM  |
| 2:1   |             | 1    | End-Rod, Tie (RH) ● |
| 2:1:1 | 105-7941    | 1    | Nut-Hex, Slotted    |
| 2:1:2 | 105-7835    | 1    | Seal                |
| 2:1:3 | 302-5       | 1    | Fitting-Grease      |
| 3     | 2411-46-03  | 1    | LH Tie Rod End ASM  |
| 3:1   |             | 1    | End-Rod, Tie (LH) ● |
| 3:1:1 | 302-5       | 1    | Fitting-Grease      |
| 3:1:2 | 105-7835    | 1    | Seal                |
| 3:1:3 | 105-7941    | 1    | Nut-Hex, Slotted    |
| 4     | 84-5300     | 1    | Nut-Jam             |
| 5     | 110-5337    | 1    | Nut-Jam             |

● Not serviced separately



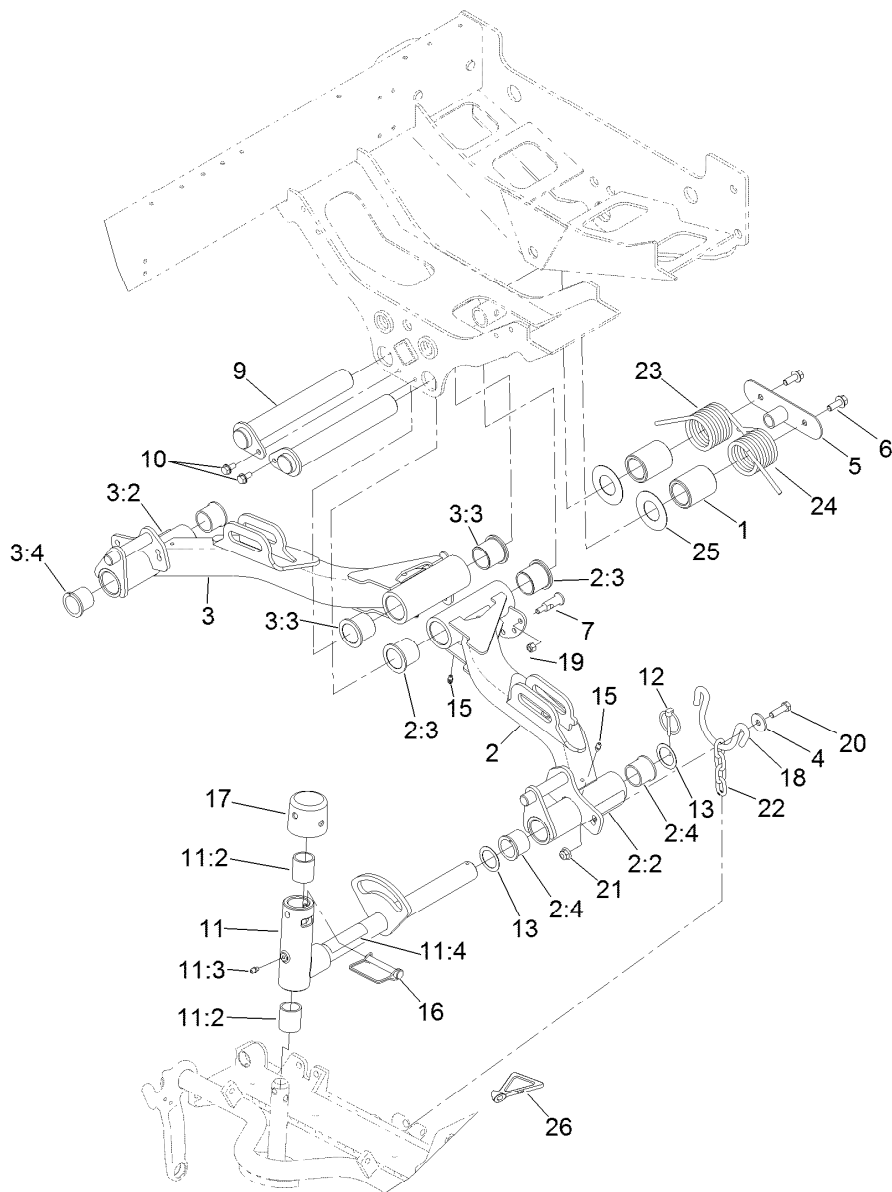
## Hub and Spindle Assembly No. 117-8961

| <i>Ref.</i> | <i>Part Number</i> | <i>Qty.</i> | <i>Description</i>    |
|-------------|--------------------|-------------|-----------------------|
| 1           | 117-8958           | 1           | Spindle               |
| 2           | 117-8963           | 1           | Hub ASM               |
| 2:2         | 254-72             | 2           | Bearing-Cup, Tapered  |
| 2:3         | 114-3918           | 5           | Stud-Wheel            |
| 3           | 254-94             | 2           | Bearing-Cone, Tapered |
| 4           | 112-1690           | 1           | Seal-Oil              |
| 5           | 242-50             | 5           | Nut-Lug               |
| 6           | 241-119            | 1           | Cap-Dust              |
| 7           | 117-8259           | 1           | Washer-Spindle        |
| 8           | 117-8260           | 1           | Nut                   |
| 9           | 93-0307            | 1           | Nut-Lock, Retainer    |
| 10          | 3272-18            | 1           | Pin-Cotter            |



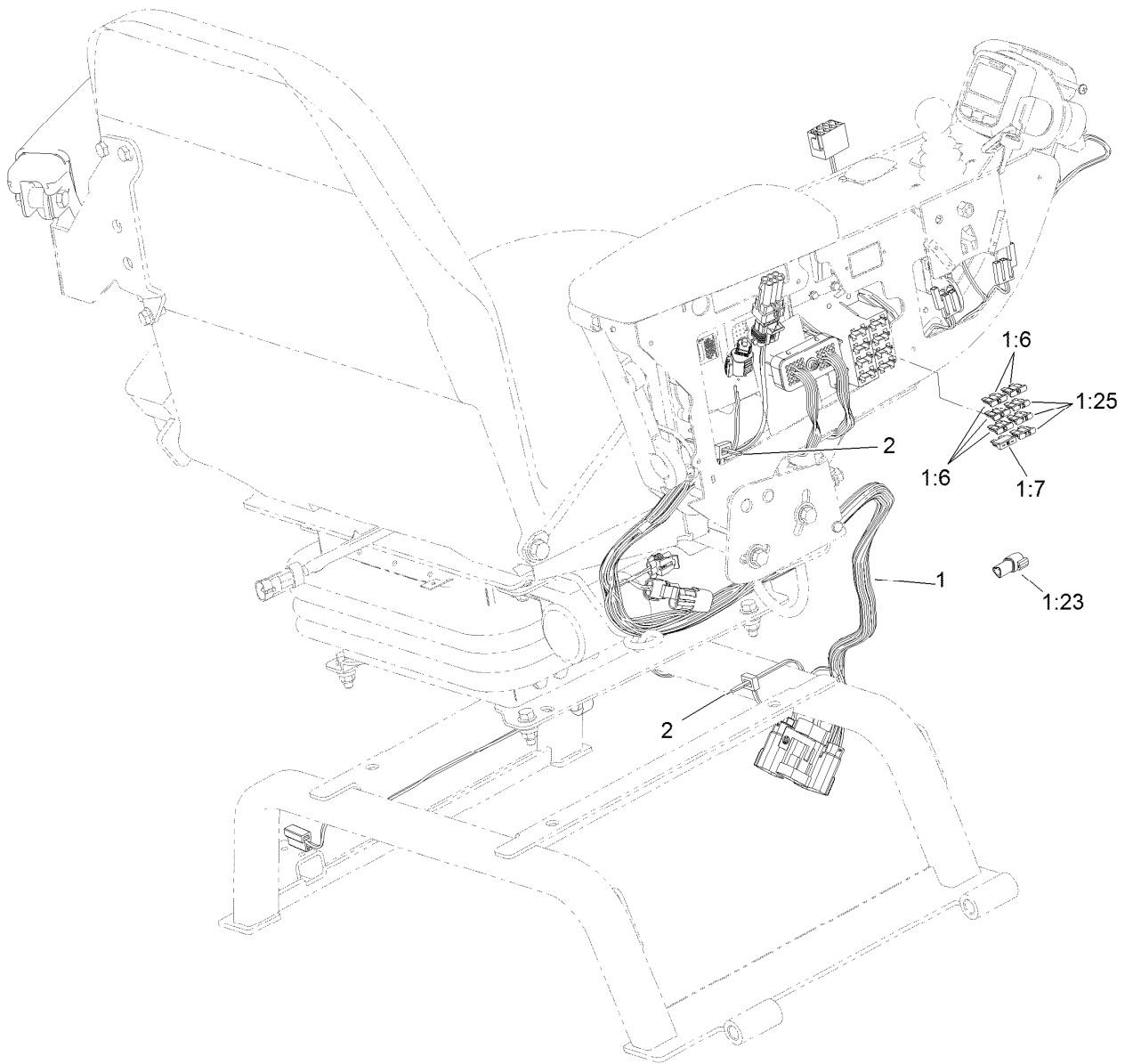
## No. 1, 4 and 5 Lift Arm Assembly

| Ref. | Part Number | Qty. | Description          | Ref. | Part Number | Qty. | Description                 |
|------|-------------|------|----------------------|------|-------------|------|-----------------------------|
| 1    | 110-0991    | 1    | No. 1 Lift Arm ASM   | 13   | 107-2052    | 3    | Pivot Yoke ASM              |
| 1:2  | 69-6470     | 2    | Bushing-Castor       | 13:2 | 121-3187    | 2    | Bushing                     |
| 1:3  | 104-0015    | 2    | Bushing-Flange       | 13:3 | 302-5       | 1    | Fitting-Grease              |
| 2    | 114-8874    | 1    | No. 4 Lift Arm ASM   | 13:4 | 110-9642    | 1    | Decal-Warning               |
| 2:2  | 69-6470     | 2    | Bushing-Castor       | 14   | 92-1298     | 3    | Pin-Lynch                   |
| 2:3  | 104-0015    | 2    | Bushing-Flange       | 15   | 76-2980     | 6    | Washer-Thrust               |
| 3    | 110-0995    | 1    | No. 5 Lift Arm ASM   | 16   | 302-5       | 6    | Fitting-Grease              |
| 3:2  | 69-6470     | 2    | Bushing-Castor       | 17   | 117-5153-01 | 1    | Plate-Bridge 5              |
| 3:3  | 104-0015    | 2    | Bushing-Flange       | 18   | 107-7400    | 3    | Pin-Snapper                 |
| 4    | 117-0208    | 3    | Shaft-Pivot, Liftarm | 19   | 107-4027    | 3    | Cap                         |
| 5    | 32121-122   | 3    | Pin-Roll             | 20   | 87-7270     | 6    | Washer-Thrust               |
| 6    | 99-5107     | 4    | Nut-Lock             | 21   | 325-5       | 2    | Screw-HH                    |
| 7    | 325-7       | 4    | Screw-HH             | 22   | 84-2451     | 3    | Chain-Straight, 5 Link      |
| 8    | 117-5154-01 | 1    | Plate-Bridge 1 And 4 | 23   | 115-5300    | 1    | Proximity Switch ASM        |
| 9    | 327-7       | 3    | Screw-HH             | 23:1 | 117-3207    | 2    | Nut-Hex                     |
| 10   | 110-0922    | 3    | Hoop-Chain           | 23:2 | 117-3208    | 2    | Washer-Lock, Internal Tooth |
| 11   | 63-8410     | 6    | Washer               | 24   | 104-8301    | 6    | Nut-Flange, NI              |
| 12   | 323-7       | 6    | Screw-HH             | 25   | 99-7667     | 3    | Washer-Flat                 |



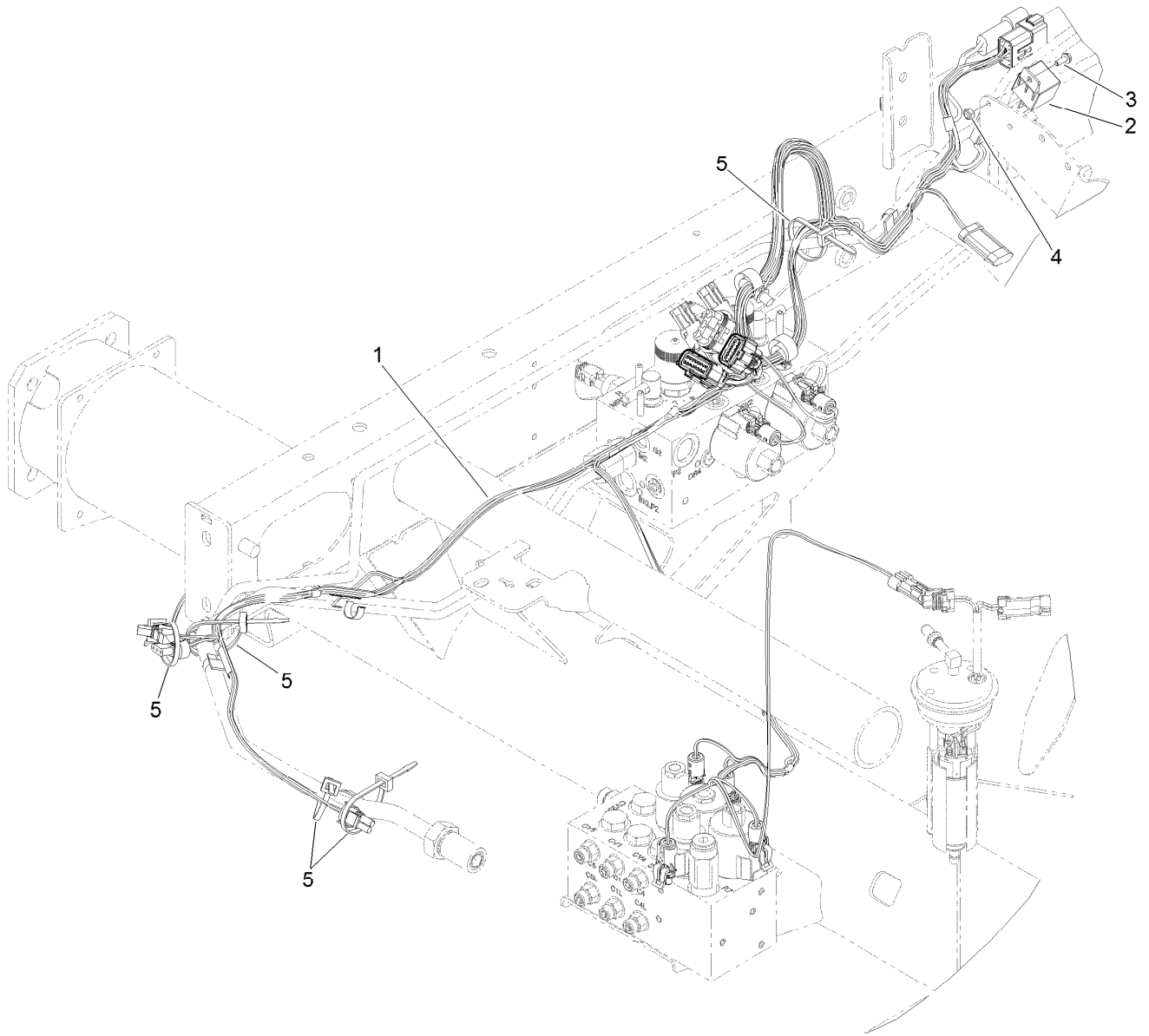
## No. 2 and 3 Lift Arm Assembly

| <i>Ref.</i> | <i>Part Number</i> | <i>Qty.</i> | <i>Description</i> | <i>Ref.</i> | <i>Part Number</i> | <i>Qty.</i> | <i>Description</i>     |
|-------------|--------------------|-------------|--------------------|-------------|--------------------|-------------|------------------------|
| 1           | 110-5339           | 2           | Spacer             | 11:3        | 302-5              | 1           | Fitting-Grease         |
| 2           | 125-2912           | 1           | Lift Arm 2 ASM     | 11:4        | 110-9642           | 1           | Decal-Warning          |
| 2:2         | 93-6696            | 1           | Decal-Warning      | 12          | 92-1298            | 2           | Pin-Lynch              |
| 2:3         | 69-6470            | 2           | Bushing-Castor     | 13          | 76-2980            | 4           | Washer-Thrust          |
| 2:4         | 104-0015           | 2           | Bushing-Flange     | 15          | 302-5              | 4           | Fitting-Grease         |
| 3           | 125-2913           | 1           | Lift Arm 3 ASM     | 16          | 107-7400           | 2           | Pin-Snapper            |
| 3:2         | 93-6696            | 1           | Decal-Warning      | 17          | 107-4027           | 2           | Cap                    |
| 3:3         | 69-6470            | 2           | Bushing-Castor     | 18          | 110-0922           | 2           | Hoop-Chain             |
| 3:4         | 104-0015           | 2           | Bushing-Flange     | 19          | 3296-29            | 6           | Nut-Lock, NI           |
| 4           | 63-8410            | 4           | Washer             | 20          | 323-7              | 4           | Screw-HH               |
| 5           | 110-8874-03        | 1           | Catch              | 21          | 104-8301           | 4           | Nut-Flange, NI         |
| 6           | 3234-11            | 2           | Screw-HHF          | 22          | 84-2451            | 2           | Chain-Straight, 5 Link |
| 7           | 120-6283           | 6           | Stud-Shouldered    | 23          | 99-5608-03         | 1           | Spring-Torsion, RH     |
| 9           | 107-2062           | 2           | Pin                | 24          | 99-5609-03         | 1           | Spring-Torsion, LH     |
| 10          | 32144-14           | 2           | Screw-HWHTF        | 25          | 110-5345           | 2           | Washer                 |
| 11          | 107-2052           | 2           | Pivot Yoke ASM     | 26          | 119-8010-03        | 1           | Kickstand              |
| 11:2        | 121-3187           | 2           | Bushing            |             |                    |             |                        |



## Seat and Control Arm Wiring Harness Assembly

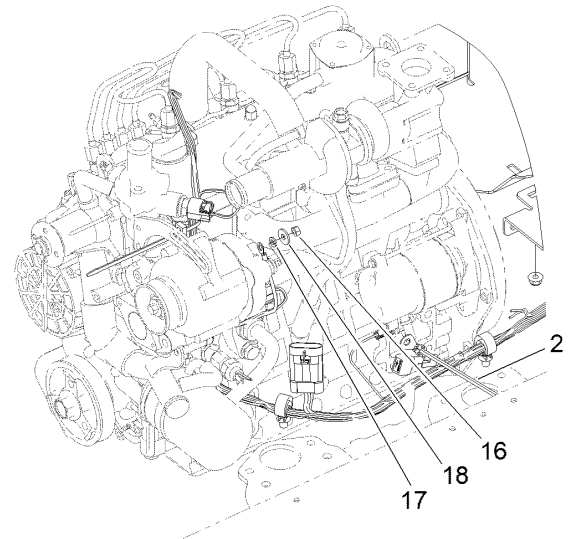
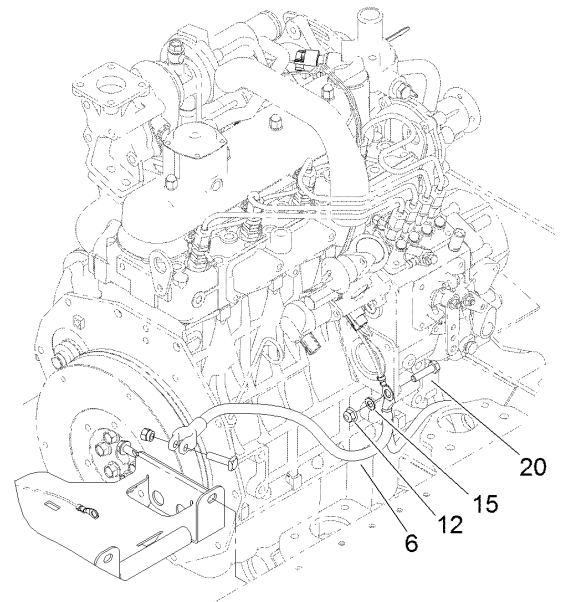
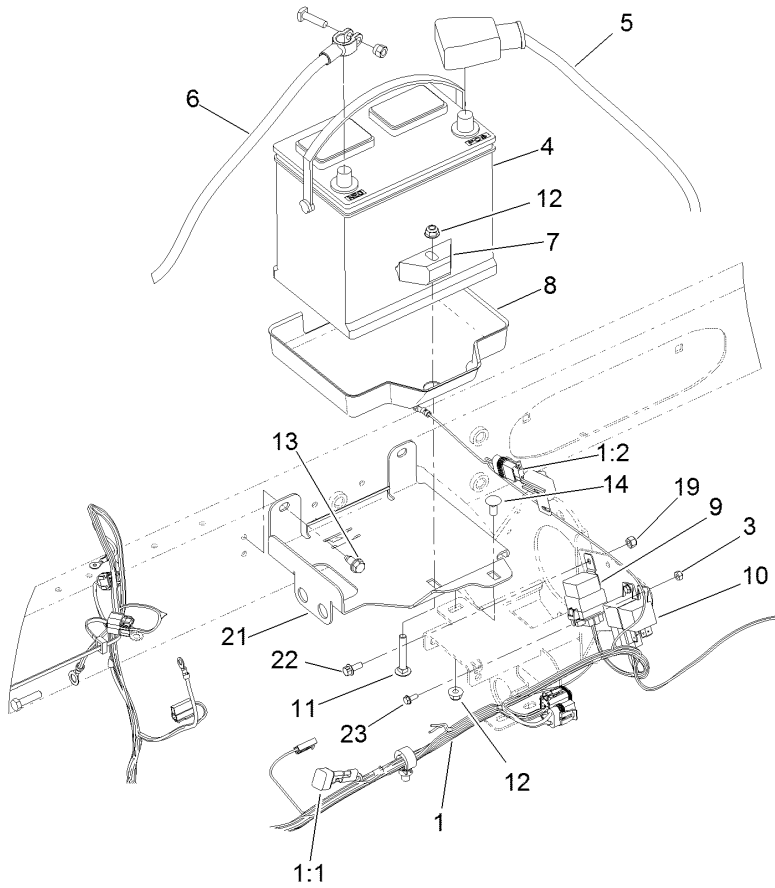
| <i>Ref.</i> | <i>Part Number</i> | <i>Qty.</i> | <i>Description</i>  |
|-------------|--------------------|-------------|---------------------|
| 1           | 115-8081           | 1           | Harness-Wire, Seat  |
| 1:6         | 218-578            | 3           | Fuse-Blade, 10 Amp  |
| 1:7         | 109355             | 1           | Fuse-Blade, 15 Amp  |
| 1:23        | 32180-043          | 1           | Resistor-120 Ohm    |
| 1:25        | 114241             | 3           | Fuse-Blade, 7.5 Amp |
| 2           | 3290-378           | 3           | Tie-Cable           |



## Main Wiring Harness Assembly

| <i>Ref.</i> | <i>Part Number</i> | <i>Qty.</i> | <i>Description</i> |
|-------------|--------------------|-------------|--------------------|
| 1           | 120-6356           | 1           | Harness-Wire, Main |
| 2           | 99-7435            | 1           | Relay-Power        |
| 3           | 3290-321           | 1           | Screw-HWH          |
| 4           | 3296-2             | 1           | Nut-Lock, NI       |
| 5           | 3290-378           | 10          | Tie-Cable          |

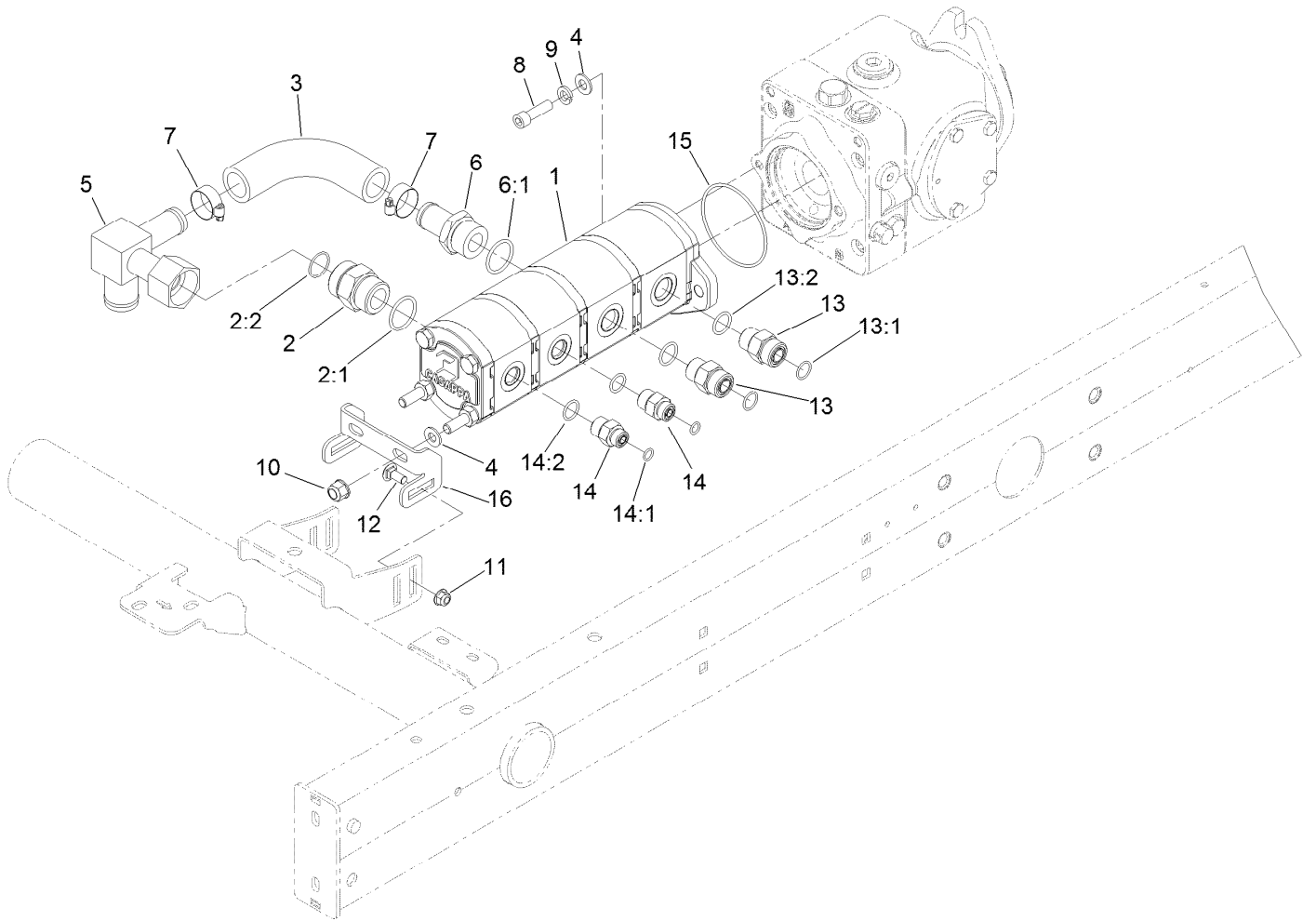




## Battery Mounting Assembly

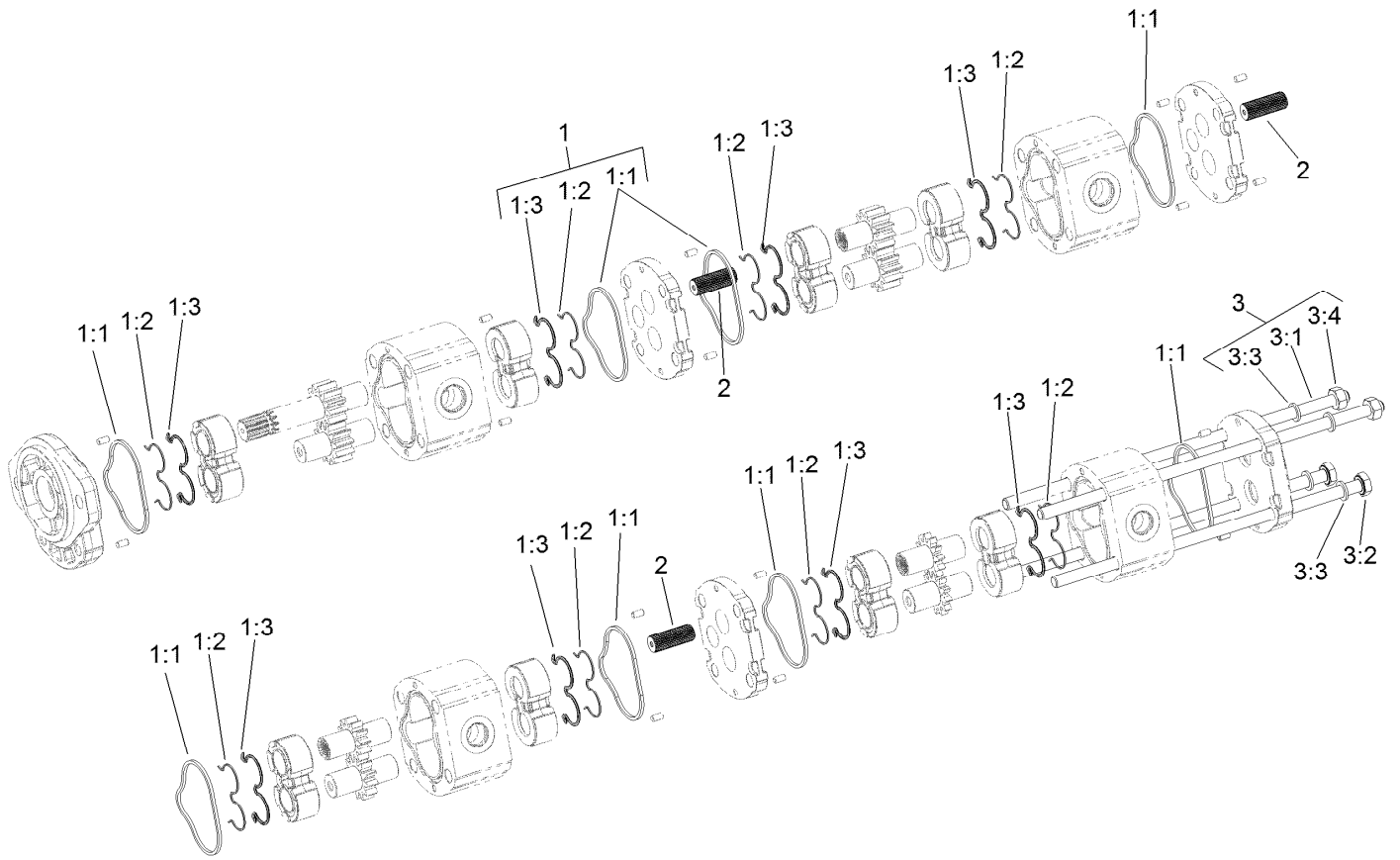
| Ref. | Part Number | Qty. | Description                |
|------|-------------|------|----------------------------|
| 1    | 120-6346    | 1    | Harness-Wire, Row Engine   |
| 1:1  | 100-4918    | 1    | Diode-Over Molded          |
| 1:2  | 94-6710     | 1    | Fuse-2 Amp                 |
| 2    | 99-3441     | 1    | Harness-Wire, Fusible Link |
| 3    | 3296-2      | 2    | Nut-Lock, NI               |
| 4    | 104-9979    | 1    | Battery-Dry                |
| 5    | 108-1802    | 1    | Cable-Battery, Positive    |
| 6    | 110-8813    | 1    | Cable-Battery, Negative    |
| 7    | 66-2490     | 1    | Retainer-Battery           |
| 8    | 99-3513     | 1    | Tray-Battery               |
| 9    | 99-7430     | 1    | Relay                      |
| 10   | 99-7435     | 2    | Relay-Power                |
| 11   | 3230-6      | 2    | Screw-CARR                 |

| Ref. | Part Number | Qty. | Description         |
|------|-------------|------|---------------------|
| 12   | 104-8300    | 4    | Nut-Flange, NI      |
| 13   | 32104-32    | 2    | Screw-HWH           |
| 14   | 3230-1      | 1    | Bolt-CARR           |
| 15   | 3255-8      | 2    | Washer-Lock         |
| 16   | 48-7890     | 1    | Nut-Hex             |
| 17   | 43-5930     | 1    | Washer-Lock, Spring |
| 18   | 3256-78     | 1    | Washer-Flat         |
| 19   | 3296-42     | 1    | Nut-Lock, NI        |
| 20   | 322-6       | 1    | Screw-HH            |
| 21   | 110-0907-01 | 1    | Bracket-Battery     |
| 22   | 3234-33     | 1    | Screw-HHF           |
| 23   | 3290-321    | 2    | Screw-HWH           |



## Gear Pump Assembly

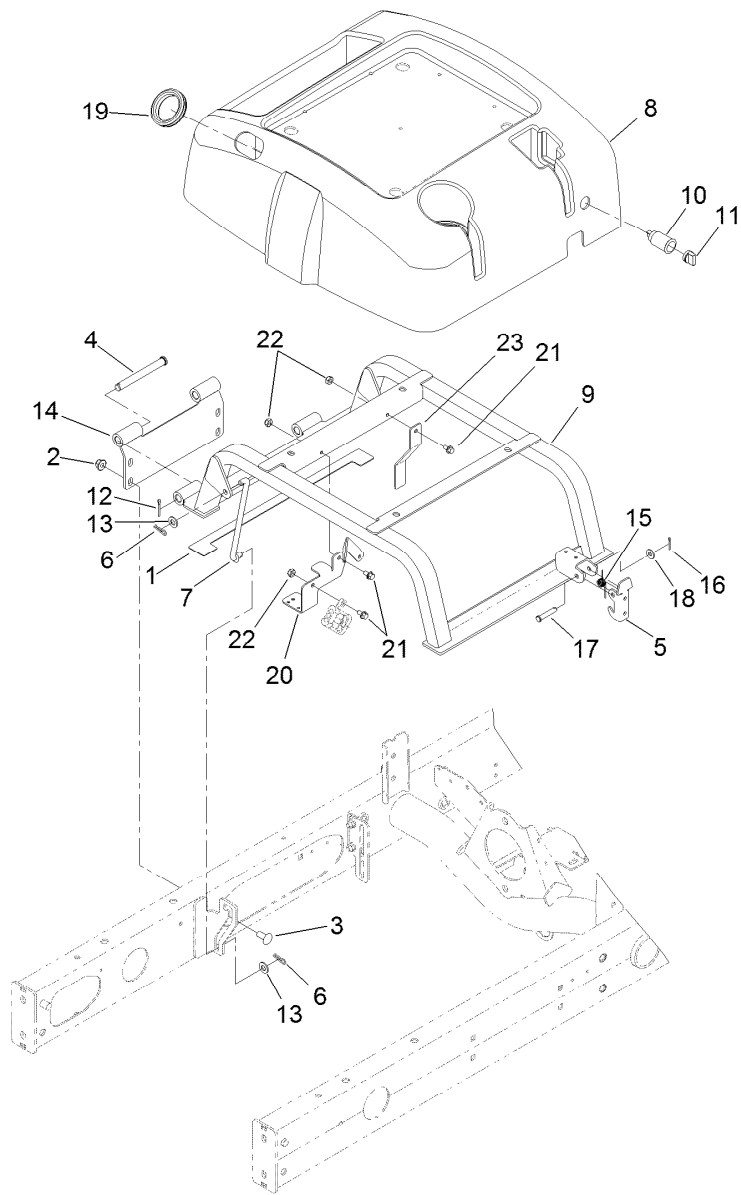
| <i>Ref.</i> | <i>Part Number</i> | <i>Qty.</i> | <i>Description</i>    | <i>Ref.</i> | <i>Part Number</i> | <i>Qty.</i> | <i>Description</i>    |
|-------------|--------------------|-------------|-----------------------|-------------|--------------------|-------------|-----------------------|
| 1           | 107-4547           | 1           | Gear Pump ASM         | 10          | 103-9511           | 2           | Nut-Lock, NI          |
| 2           | 104-3797           | 1           | Fitting-HYD, Straight | 11          | 104-8300           | 2           | Nut-Flange, NI        |
| 2:1         | 237-146            | 1           | O-Ring                | 12          | 3230-1             | 2           | Bolt-CARR             |
| 2:2         | 340-65             | 1           | O-Ring                | 13          | 340-7              | 2           | Adapter               |
| 3           | 108-1683           | 1           | Hose-Formed           | 13:1        | 237-65             | 1           | O-Ring                |
| 4           | 3256-24            | 4           | Washer-Flat           | 13:2        | 237-80             | 1           | O-Ring                |
| 5           | 108-1672           | 1           | Manifold-Tube         | 14          | 340-3              | 2           | Adapter               |
| 6           | 354-78             | 1           | Connector-Hose        | 14:1        | 237-22             | 1           | O-Ring                |
| 6:1         | 237-146            | 1           | O-Ring                | 14:2        | 237-79             | 1           | O-Ring                |
| 7           | 2412-34            | 2           | Clamp-Hose            | 15          | 237-161            | 1           | O-Ring                |
| 8           | 3274-1             | 2           | Screw-HSH             | 16          | 108-1801-01        | 1           | Bracket-Support, Pump |
| 9           | 3253-5             | 2           | Washer-Lock           |             |                    |             |                       |



## Gear Pump Assembly No. 107-4547

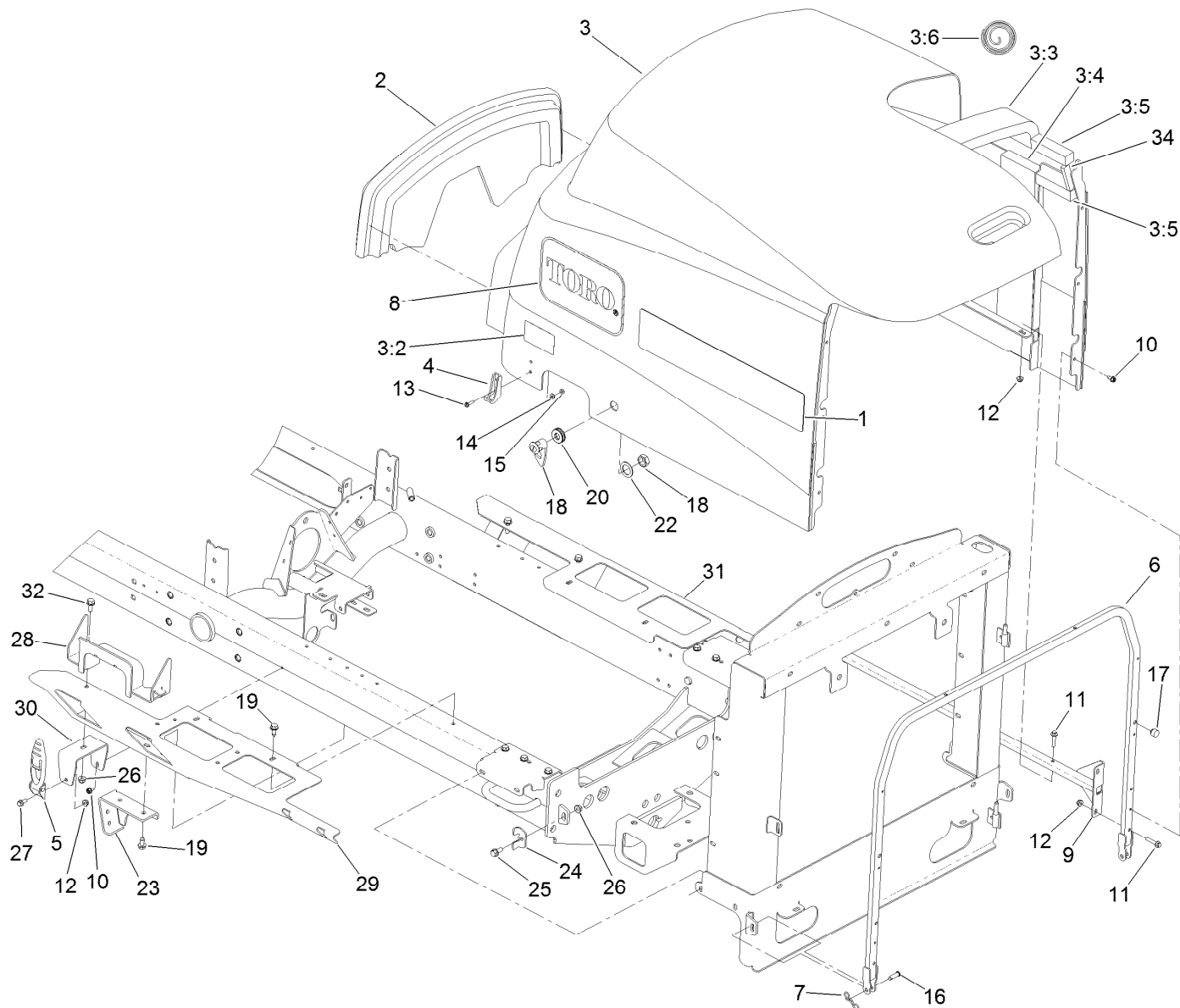
| Ref. | Part Number | Qty. | Description    |
|------|-------------|------|----------------|
| 1    | 108-4595    | 1    | Seal Kit       |
| 1:1  |             | 8    | Seal ●         |
| 1:2  |             | 8    | Seal ●         |
| 1:3  |             | 8    | Ring-Back Up ● |
| 2    | 120-6284    | 3    | Hub-Connecting |
| 3    | 125-8760    | 1    | Kit-Bolt       |
| 3:1  |             | 2    | Bolt-Stud ●    |
| 3:2  |             | 2    | Screw ●        |
| 3:3  |             | 4    | Washer ●       |
| 3:4  |             | 2    | Nut ●          |

● Not serviced separately



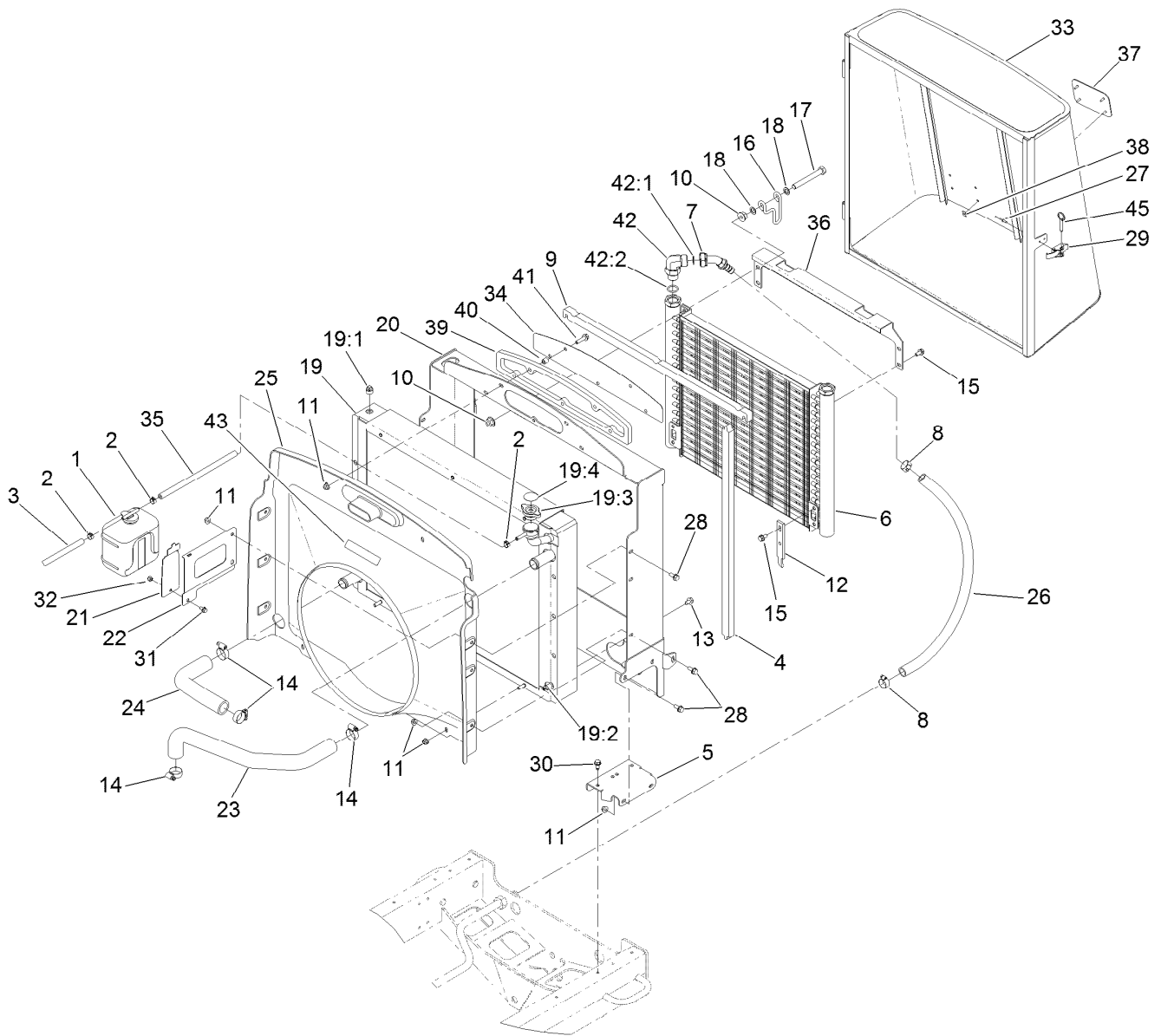
## Seat Base Assembly

| <i>Ref.</i> | <i>Part Number</i> | <i>Qty.</i> | <i>Description</i> | <i>Ref.</i> | <i>Part Number</i> | <i>Qty.</i> | <i>Description</i>         |
|-------------|--------------------|-------------|--------------------|-------------|--------------------|-------------|----------------------------|
| 1           | 110-5255           | 2           | Bumper-Base, Seat  | 13          | 3256-24            | 4           | Washer-Flat                |
| 2           | 104-8301           | 4           | Nut-Flange, NI     | 14          | 108-7582-03        | 1           | Plate-Pivot                |
| 3           | 3231-27            | 4           | Screw-CARR         | 15          | 104-4821           | 1           | Spring-Torsion             |
| 4           | 283-83             | 2           | Pin-Clevis         | 16          | 3272-6             | 1           | Pin-Cotter                 |
| 5           | 110-8971           | 1           | Latch              | 17          | 94-3829            | 1           | Pin-Clevis                 |
| 6           | 3290-307           | 4           | Pin-Hair           | 18          | 3256-2             | 1           | Washer-Flat                |
| 7           | 98-0917            | 2           | Rod-Prop           | 19          | 240-12             | 1           | Grommet                    |
| 8           | 108-1757           | 1           | Cover-Seatbase     | 20          | 119-6973-03        | 1           | Bracket-Harness            |
| 9           | 108-7577-03        | 1           | Seat Base          | 21          | 3234-13            | 3           | Screw-HHF                  |
| 10          | 99-7411            | 1           | Point-Power        | 22          | 3296-16            | 3           | Nut-Lock, NI               |
| 11          | 99-7416            | 1           | Cap                | 23          | 121-5603-03        | 1           | Bracket-Harness, Deflector |
| 12          | 3272-11            | 2           | Pin-Cotter         |             |                    |             |                            |



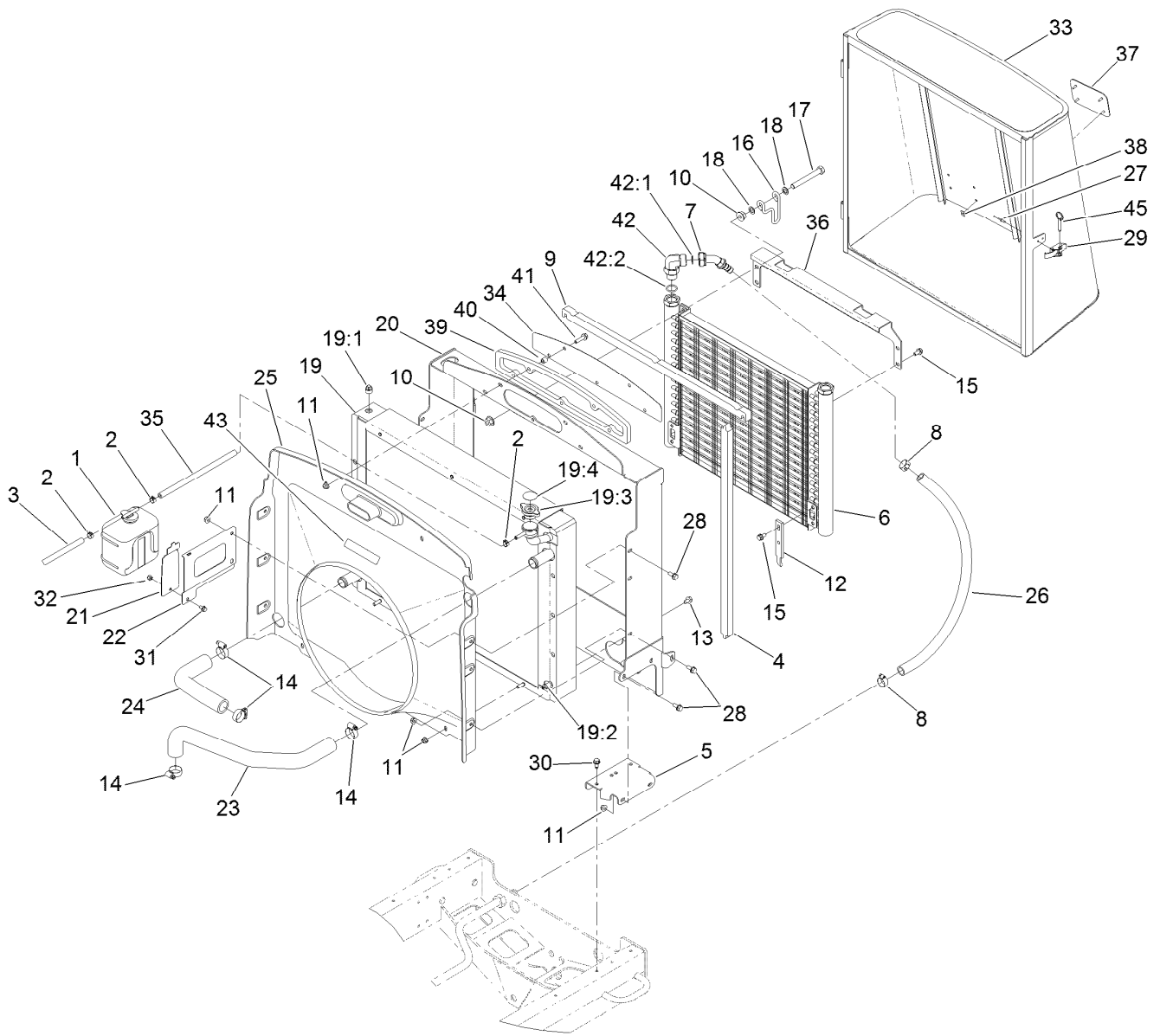
## Hood Assembly

| Ref. | Part Number | Qty. | Description       | Ref. | Part Number | Qty. | Description           |
|------|-------------|------|-------------------|------|-------------|------|-----------------------|
| 1    | 110-0965    | 2    | Decal             | 15   | 3296-12     | 4    | Nut-Lock, NI          |
| 2    | 110-0979-03 | 2    | Bracket-Deflector | 16   | 283-61      | 2    | Pin-Yoke              |
| 3    | 110-8995    | 1    | Hood ASM          | 17   | 107-8042    | 2    | Bumper-Rubber         |
| 3:2  | 106-6754    | 1    | Decal-Danger      | 18   | 98-5398     | 1    | Latch                 |
| 3:3  | 110-8948    | 1    | Foam-Hood         | 19   | 32104-32    | 6    | Screw-HWH             |
| 3:4  | 110-8947    | 2    | Foam-Hood         | 20   | 104-1453    | 1    | Grommet               |
| 3:5  | 110-8949    | 4    | Seal-Foam         | 22   | 99-4958     | 1    | Spacer                |
| 3:6  | 110-9002    | 1    | Foil Tape Kit     | 23   | 110-0979-03 | 2    | Bracket-Deflector     |
| 4    | 103-2897    | 2    | Latch-Catch       | 24   | 110-8946    | 2    | Clamp-Frame, Radiator |
| 5    | 103-2898    | 2    | Latch-Rubber      | 25   | 3234-5      | 2    | Screw-HHF             |
| 6    | 110-5277-03 | 1    | Frame-Hood        | 26   | 104-8300    | 6    | Nut-Flange, NI        |
| 7    | 105-7512    | 2    | Pin-Tie, Bow      | 27   | 3234-33     | 2    | Screw-HHF             |
| 8    | 66-6140     | 2    | Decal             | 28   | 121-5627-03 | 2    | Guide-Hood            |
| 9    | 108-1790-03 | 2    | Tube              | 29   | 110-5253-01 | 1    | Adapter-Hood, LH      |
| 10   | 32104-17    | 8    | Screw-HWH         | 30   | 110-5256-01 | 2    | Adapter-Latch, Hood   |
| 11   | 3234-21     | 10   | Screw-HHF         | 31   | 110-5254-01 | 1    | Adapter-Hood, RH      |
| 12   | 104-7201    | 10   | Nut-HF            | 32   | 3234-17     | 4    | Screw-HHF             |
| 13   | 32105-13    | 4    | Screw-HWH         | 34   | 110-8950    | 2    | Seal-Foam             |
| 14   | 3256-14     | 4    | Washer-Flat       |      |             |      |                       |



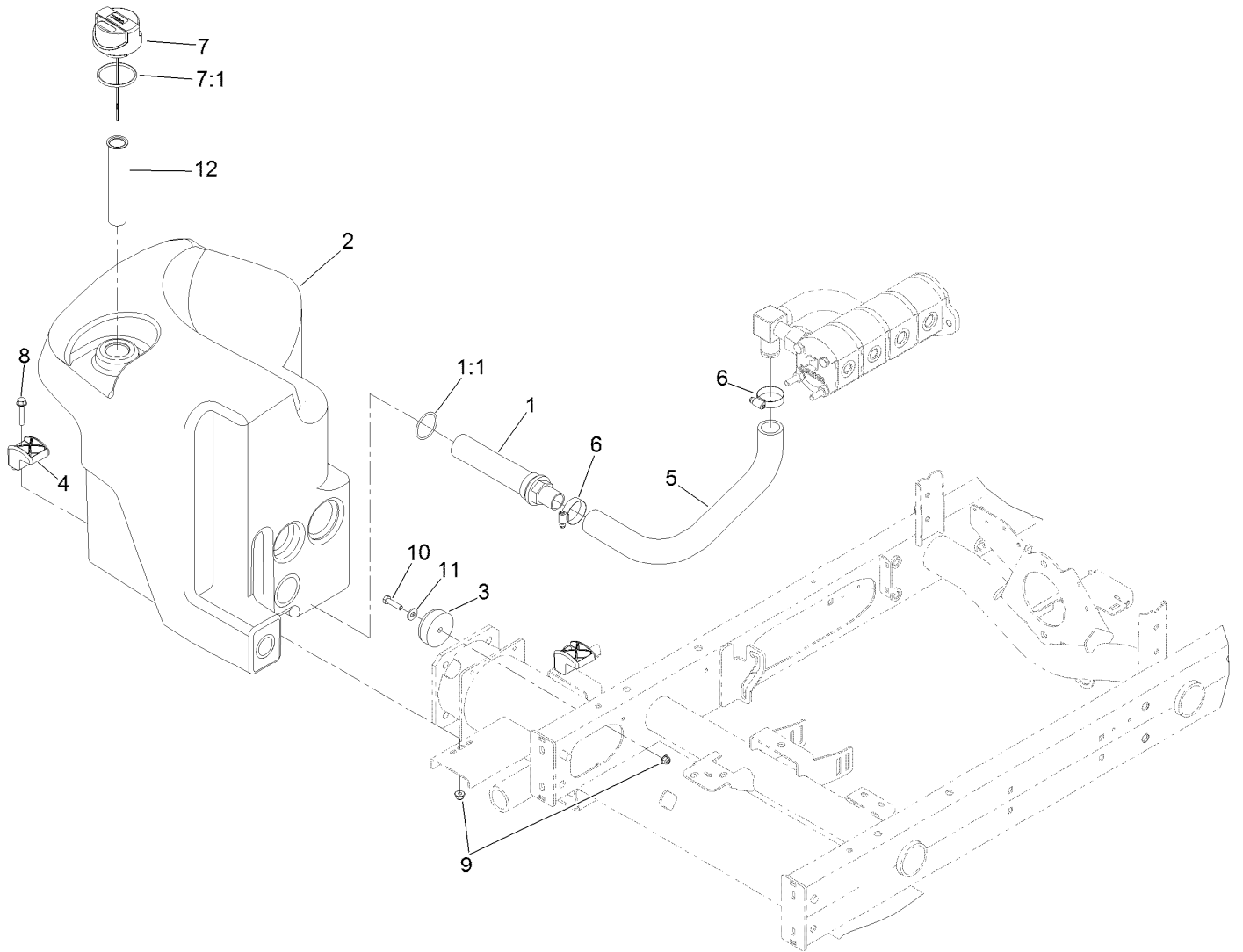
## Cooling System Assembly

| <i>Ref.</i> | <i>Part Number</i> | <i>Qty.</i> | <i>Description</i>      | <i>Ref.</i> | <i>Part Number</i> | <i>Qty.</i> | <i>Description</i>      |
|-------------|--------------------|-------------|-------------------------|-------------|--------------------|-------------|-------------------------|
| 1           | 108-0638           | 1           | Bottle-Overflow         | 19:3        | 93-5957            | 1           | Cap-Radiator            |
| 2           | 92-2379            | 3           | Clamp-Hose              | 19:4        | 106-6755           | 1           | Decal-Cap, Radiator     |
| 3           | 110-3257           | 1           | Hose-Fuel               | 20          | 110-5251-03        | 1           | Frame-Radiator          |
| 4           | 110-5275           | 2           | Seal-Foam               | 21          | 108-1665-03        | 1           | Bracket-Reservoir       |
| 5           | 110-5310-01        | 2           | Bracket-Mounting        | 22          | 108-1666-03        | 1           | Bracket-Reservoir       |
| 6           | 110-0485           | 1           | Cooler-Oil              | 23          | 110-8942           | 1           | Hose-Formed             |
| 7           | 104-7851           | 2           | Fitting-HYD, 45 DEG     | 24          | 110-8943           | 1           | Hose-Formed             |
| 8           | 2412-34            | 4           | Clamp-Hose              | 25          | 110-5311           | 1           | Shroud-Fan              |
| 9           | 110-5276           | 2           | Seal-Foam               | 26          | 110-8955           | 2           | Hose                    |
| 10          | 32128-49           | 4           | Nut-HHF                 | 27          | 3269-15            | 2           | Rivet-Pop               |
| 11          | 104-8300           | 17          | Nut-Flange, NI          | 28          | 3234-5             | 10          | Screw-HHF               |
| 12          | 104-5460-03        | 2           | Plate-Mount, Oil Cooler | 29          | 115-1554           | 1           | Latch-Draw              |
| 13          | 3234-30            | 6           | Screw-HHF               | 30          | 32104-32           | 6           | Screw-HWH               |
| 14          | 2412-129           | 4           | Clamp-Hose              | 31          | 3234-13            | 1           | Screw-HHF               |
| 15          | 3234-14            | 8           | Screw-HHF               | 32          | 3296-42            | 1           | Nut-Lock, NI            |
| 16          | 104-5429           | 2           | Clamp-Form, Wire        | 33          | 110-5269-03        | 1           | Screen                  |
| 17          | 325-17             | 2           | Screw-HH                | 34          | 108-1843-03        | 1           | Screen-Intake, Air      |
| 18          | 41-8440            | 4           | Washer                  | 35          | 110-4104           | 1           | Hose-Fuel               |
| 19          | 117-8093           | 1           | Radiator ASM            | 36          | 104-5428           | 1           | Bracket-Oil Cooler, Top |
| 19:1        | 281-13             | 1           | Plug-Pipe               | 37          | 93-6028            | 1           | Plate-Logo              |
| 19:2        | 304-46             | 1           | Draincock               | 38          | 94-2638            | 4           | Nut-Tinnerman           |



## Cooling System Assembly (continued)

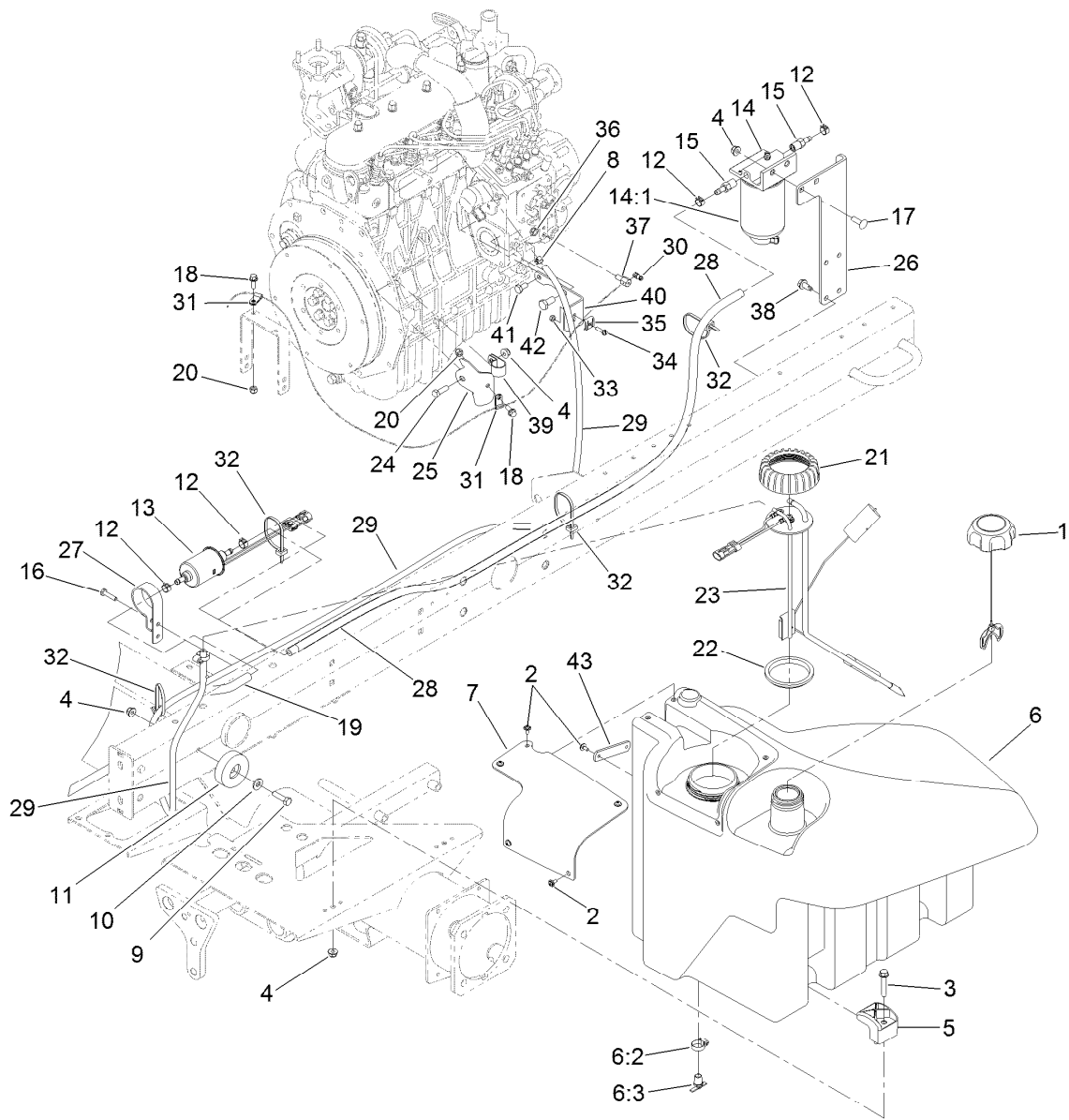
| <i>Ref.</i> | <i>Part Number</i> | <i>Qty.</i> | <i>Description</i>  | <i>Ref.</i> | <i>Part Number</i> | <i>Qty.</i> | <i>Description</i> |
|-------------|--------------------|-------------|---------------------|-------------|--------------------|-------------|--------------------|
| 39          | 110-5324           | 1           | Seal-Foam           | 42:1        | 237-58             | 1           | O-Ring             |
| 40          | 1-603903           | 5           | Spacer              | 42:2        | 237-81             | 1           | O-Ring             |
| 41          | 3234-36            | 5           | Screw-HHF           | 43          | 93-7272            | 1           | Decal-Warning      |
| 42          | 340-142            | 2           | Fitting-HYD, 90 DEG | 45          | 115-1556           | 1           | Pin-Ball, Detent   |



## Hydraulic Tank Assembly

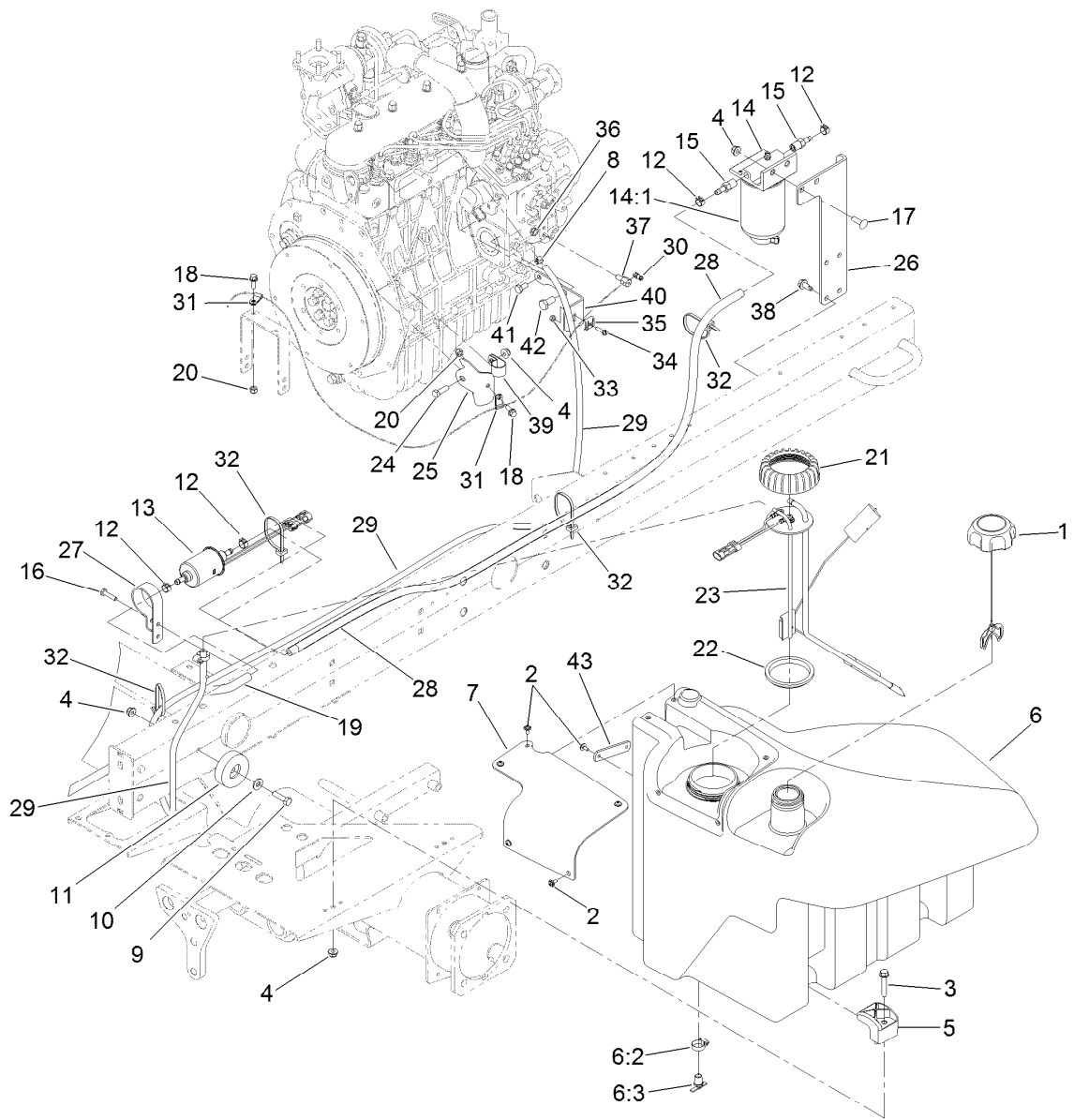
| <b>Ref.</b> | <b>Part Number</b> | <b>Qty.</b> | <b>Description</b>             |
|-------------|--------------------|-------------|--------------------------------|
| 1           | 105-0131           | 1           | Strainer-Tank, Oil             |
| 1:1         | 340-136            | 1           | O-Ring                         |
| 2           | 121-5587           | 1           | Tank-Hydraulic                 |
| 3           | 108-1605           | 1           | Bumper-Recess                  |
| 4           | 107-4543           | 2           | Clamp                          |
| 5           | 108-1685           | 1           | Hose-Formed                    |
| 6           | 2412-111           | 2           | Clamp                          |
| 7           | 117-0193           | 1           | Cap-Hydraulic, Vented Breather |
| 7:1         | 237-101            | 1           | O-Ring                         |
| 8           | 94-5780            | 2           | Screw-HWH                      |
| 9           | 104-8300           | 3           | Nut-Flange, NI                 |
| 10          | 322-6              | 1           | Screw-HH                       |
| 11          | 3256-3             | 1           | Washer-Flat                    |
| 12          | 61-2790            | 1           | Filter-Screen                  |





## Fuel System Assembly

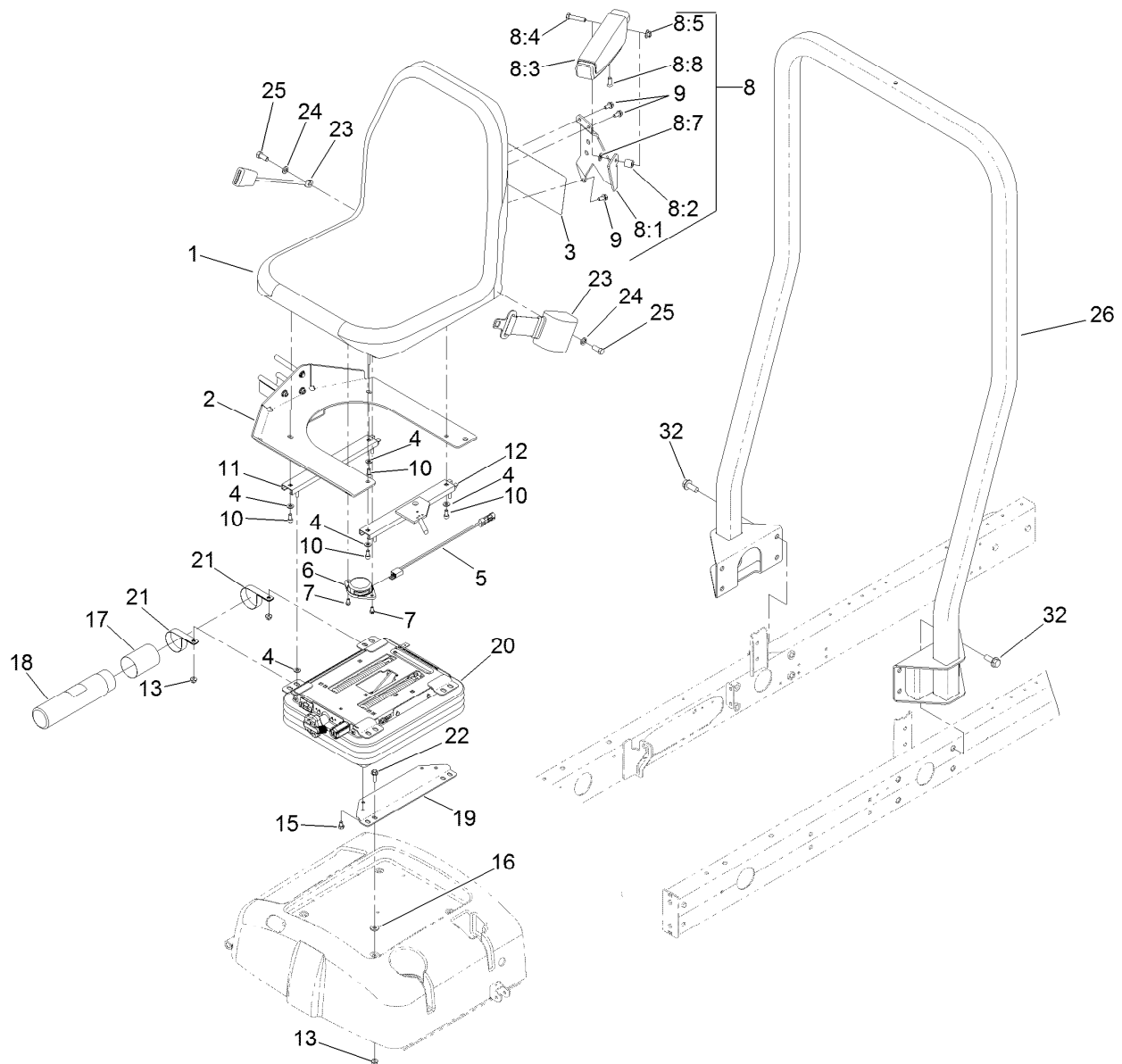
| Ref. | Part Number | Qty. | Description          | Ref. | Part Number | Qty. | Description             |
|------|-------------|------|----------------------|------|-------------|------|-------------------------|
| 1    | 117-5894    | 1    | Fuel Cap ASM         | 19   | 109-0309    | 2    | Hose-Fuel               |
| 2    | 109-2661    | 7    | Screw-PPH            | 20   | 3296-42     | 2    | Nut-Lock, NI            |
| 3    | 94-5780     | 2    | Screw-HWH            | 21   | 115-2162    | 1    | Cap-Pump, Fuel          |
| 4    | 104-8300    | 6    | Nut-Flange, NI       | 22   | 115-2163    | 1    | Gasket-Pump, Fuel       |
| 5    | 107-4543    | 2    | Clamp                | 23   | 121-5642    | 1    | Sender-Fuel             |
| 6    | 125-2907    | 1    | Fuel Tank ASM        | 24   | 322-5       | 1    | Screw-HH                |
| 6:2  | 2412-36     | 1    | Clamp-Hose           | 25   | 110-9007-03 | 1    | Support-Cable, Throttle |
| 6:3  | 304-46      | 1    | Draincock            | 26   | 110-8968-01 | 1    | Mount-Separator, Water  |
| 7    | 125-2903    | 1    | Cover-Pump/Sender    | 27   | 110-8817    | 1    | Bracket-Pump, Fuel      |
| 8    | 2412-80     | 2    | Clamp-Hose           | 28   | 110-3259    | 1    | Hose-Fuel               |
| 9    | 322-6       | 1    | Screw-HH             | 29   | 117-0298    | 1    | Hose-Fuel               |
| 10   | 3256-3      | 1    | Washer-Flat          | 30   | 112-9919    | 1    | Stop-Cable, Throttle    |
| 11   | 108-1605    | 1    | Bumper-Recess        | 31   | 2412-149    | 2    | Clamp-Hose              |
| 12   | 92-2379     | 6    | Clamp-Hose           | 32   | 3290-378    | 5    | Tie-Cable               |
| 13   | 110-8806    | 1    | Pump-Fuel            | 33   | 3296-2      | 1    | Nut-Lock, NI            |
| 14   | 110-9044    | 1    | Seperator Filter ASM | 34   | 32105-13    | 1    | Screw-HWH               |
| 14:1 | 110-9049    | 1    | Filter-Spin On       | 35   | 81-1690     | 1    | Clamp-Cable             |
| 15   | 353-783     | 2    | Fitting-Straight     | 36   | 3296-20     | 1    | Nut-Lock, NI            |
| 16   | 32104-96    | 1    | Screw-HH             | 37   | 98-9311     | 1    | Swivel-Throttle         |
| 17   | 3230-22     | 2    | Screw-CARR           | 38   | 32104-32    | 4    | Screw-HWH               |
| 18   | 3234-4      | 2    | Screw-HHF            | 39   | 2412-41     | 1    | Clamp                   |



## Fuel System Assembly (continued)

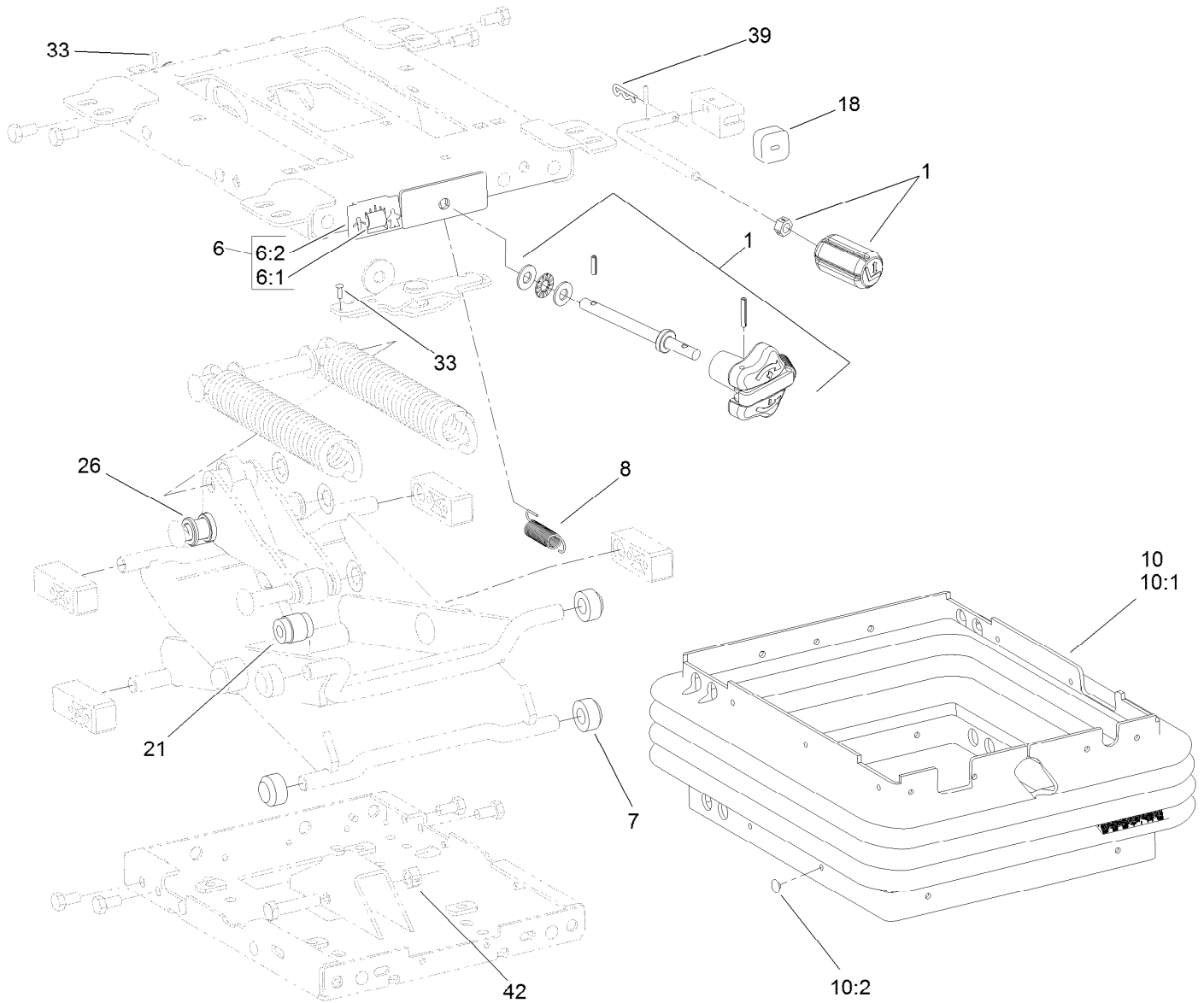
| Ref. | Part Number | Qty. | Description             |
|------|-------------|------|-------------------------|
| 40   | 110-9009-03 | 1    | Bracket-Cable, Throttle |
| 41   | 33114-016   | 1    | Screw-HH                |

| Ref. | Part Number | Qty. | Description |
|------|-------------|------|-------------|
| 42   | 63-7790     | 1    | Screw-Cap   |
| 43   | 125-2945    | 1    | Strap-Cable |



## Seat Mounting Assembly

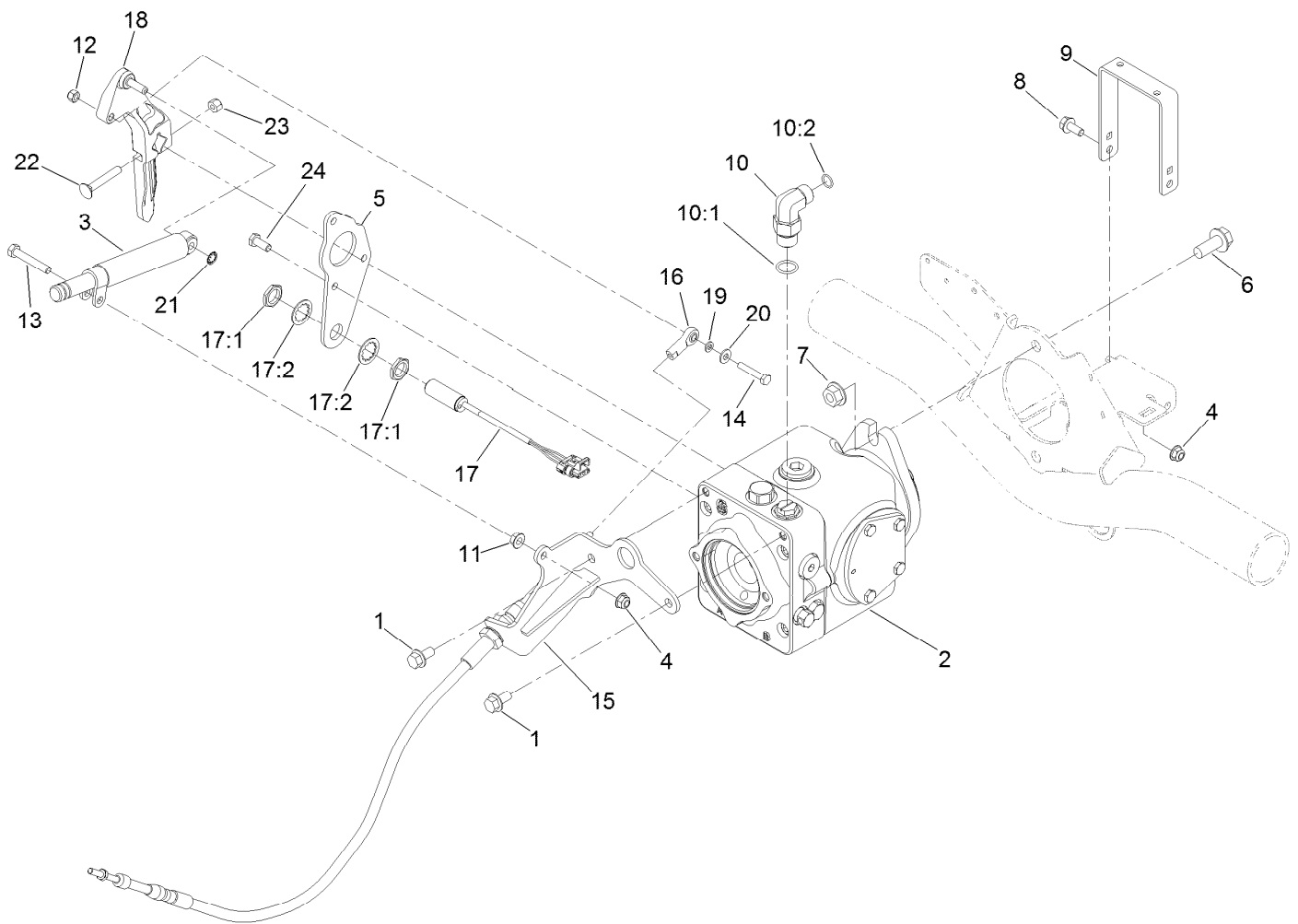
| Ref. | Part Number | Qty. | Description        | Ref. | Part Number | Qty. | Description               |
|------|-------------|------|--------------------|------|-------------|------|---------------------------|
| 1    | 104-4620    | 1    | Seat               | 11   | 92-8990     | 1    | Adjuster-Slave            |
| 2    | 125-2900-03 | 1    | Mount-Seat         | 12   | 92-8991     | 1    | Adjuster (W/Latch)        |
| 3    | 125-8753    | 1    | Decal-Service      | 13   | 104-8300    | 8    | Nut-Flange, NI            |
| 4    | 3256-23     | 8    | Washer-Flat        | 15   | 48-7680     | 4    | Screw-HH                  |
| 5    | 108-8657    | 1    | Harness-Wire, Seat | 16   | 71-9310     | 4    | Spacer                    |
| 6    | 92-6282     | 1    | Switch-Seat        | 17   | 104-7048    | 1    | Cap-Housing               |
| 7    | 9266714     | 2    | Screw-HWH          | 18   | 104-7050    | 1    | Tube-Manual               |
| 8    | 92-7307     | 1    | LH Armrest ASM     | 19   | 108-6590-03 | 2    | Bracket-Seat, Lower       |
| 8:1  | 69-0760     | 1    | Bracket-Arm, LH    | 20   | 110-8851    | 1    | Mechanical Suspension ASM |
| 8:2  | 92-7301     | 1    | Spacer             | 21   | 2412-133    | 2    | R-Clamp                   |
| 8:3  | 69-1180     | 1    | Armrest            | 22   | 3234-17     | 4    | Screw-HHF                 |
| 8:4  | 323-9       | 1    | Screw-HH           | 23   | 100-4928    | 1    | Belt-Seat                 |
| 8:5  | 32128-19    | 1    | Nut-HF             | 24   | 3253-6      | 2    | Washer-Lock               |
| 8:7  | 3256-24     | 1    | Washer-Flat        | 25   | 3212-4      | 2    | Screw-HH                  |
| 8:8  | 92-7318     | 1    | Screw              | 26   | 110-8920    | 1    | ROPS ASM                  |
| 9    | 3234-14     | 3    | Screw-HHF          | 32   | 3234-38     | 8    | Screw-HHF                 |
| 10   | 3274-12     | 4    | Screw-HSH          |      |             |      |                           |



## Mechanical Seat Suspension Assembly No. 110-8851

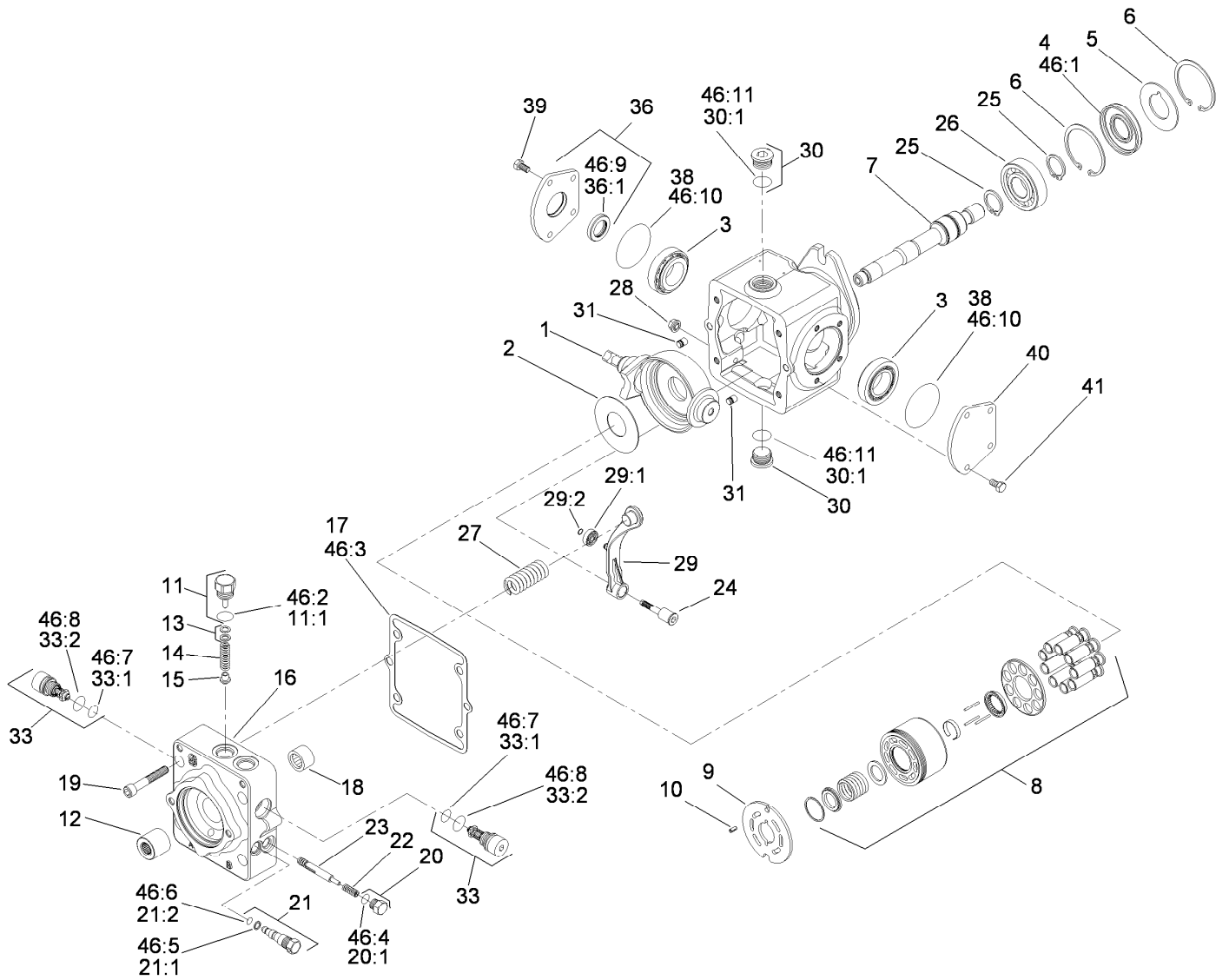
| Ref. | Part Number | Qty. | Description                  |
|------|-------------|------|------------------------------|
| 1    | 119-8040    | 1    | Knobs Service Kit            |
| 6    | 108-4584    | 1    | Weight Indicator Service Kit |
| 6:1  |             | 1    | Tape-Weight Adjust ●         |
| 6:2  |             | 1    | Guide-Weight Adjust ●        |
| 7    | 108-9632    | 4    | Roller                       |
| 8    | 108-9633    | 1    | Spring-Extension             |
| 10   | 112-0164    | 1    | Boot Kit                     |
| 10:1 |             | 1    | Boot-Suspension ●            |
| 10:2 | 108-9641    | 21   | Clip-Plug                    |
| 18   | 108-9634    | 1    | Bumper                       |
| 21   | 108-9614    | 1    | Damper                       |
| 26   | 108-9622    | 2    | Tube                         |
| 33   | 3290-54     | 2    | Rivet-Blind                  |
| 39   | 3272-9      | 1    | Pin-Cotter                   |
| 42   | 32152-2     | 1    | Nut-Lock, Cone               |

● Not serviced separately



## Traction Pump Mounting Assembly

| Ref. | Part Number | Qty. | Description           | Ref. | Part Number | Qty. | Description                 |
|------|-------------|------|-----------------------|------|-------------|------|-----------------------------|
| 1    | 3234-1      | 2    | Screw-HHF             | 13   | 322-10      | 1    | Screw-HH                    |
| 2    | 119-6972    | 1    | HYD Variable Pump ASM | 14   | 321-9       | 1    | Screw-HH                    |
| 3    | 76-8870     | 1    | Damper-Lever          | 15   | 110-5323-03 | 1    | Bracket                     |
| 4    | 104-8300    | 3    | Nut-Flange, NI        | 16   | 2411-41     | 1    | Rod End-Ball Joint          |
| 5    | 119-6971-03 | 1    | Plate-Pump            | 17   | 115-5300    | 1    | Proximity Switch ASM        |
| 6    | 3234-38     | 2    | Screw-HHF             | 17:1 | 117-3207    | 2    | Nut-Hex                     |
| 7    | 32128-49    | 2    | Nut-HHF               | 17:2 | 117-3208    | 2    | Washer-Lock, Internal Tooth |
| 8    | 3234-5      | 2    | Screw-HHF             | 18   | 117-0265    | 1    | Lever-Pump                  |
| 9    | 108-1799-03 | 1    | Hoop-Guard            | 19   | 33093-00    | 1    | Washer-Flat                 |
| 10   | 340-105     | 1    | Fitting-HYD, 90 DEG   | 20   | 3256-22     | 1    | Washer-Flat                 |
| 10:1 | 237-80      | 1    | O-Ring                | 21   | 32151-72    | 1    | Ring-Retaining              |
| 10:2 | 237-30      | 1    | O-Ring                | 22   | 3230-6      | 1    | Screw-CARR                  |
| 11   | 32128-20    | 1    | Nut-HF                | 23   | 3296-29     | 1    | Nut-Lock, NI                |
| 12   | 3296-42     | 1    | Nut-Lock, NI          | 24   | 33114-020   | 3    | Screw-HH                    |

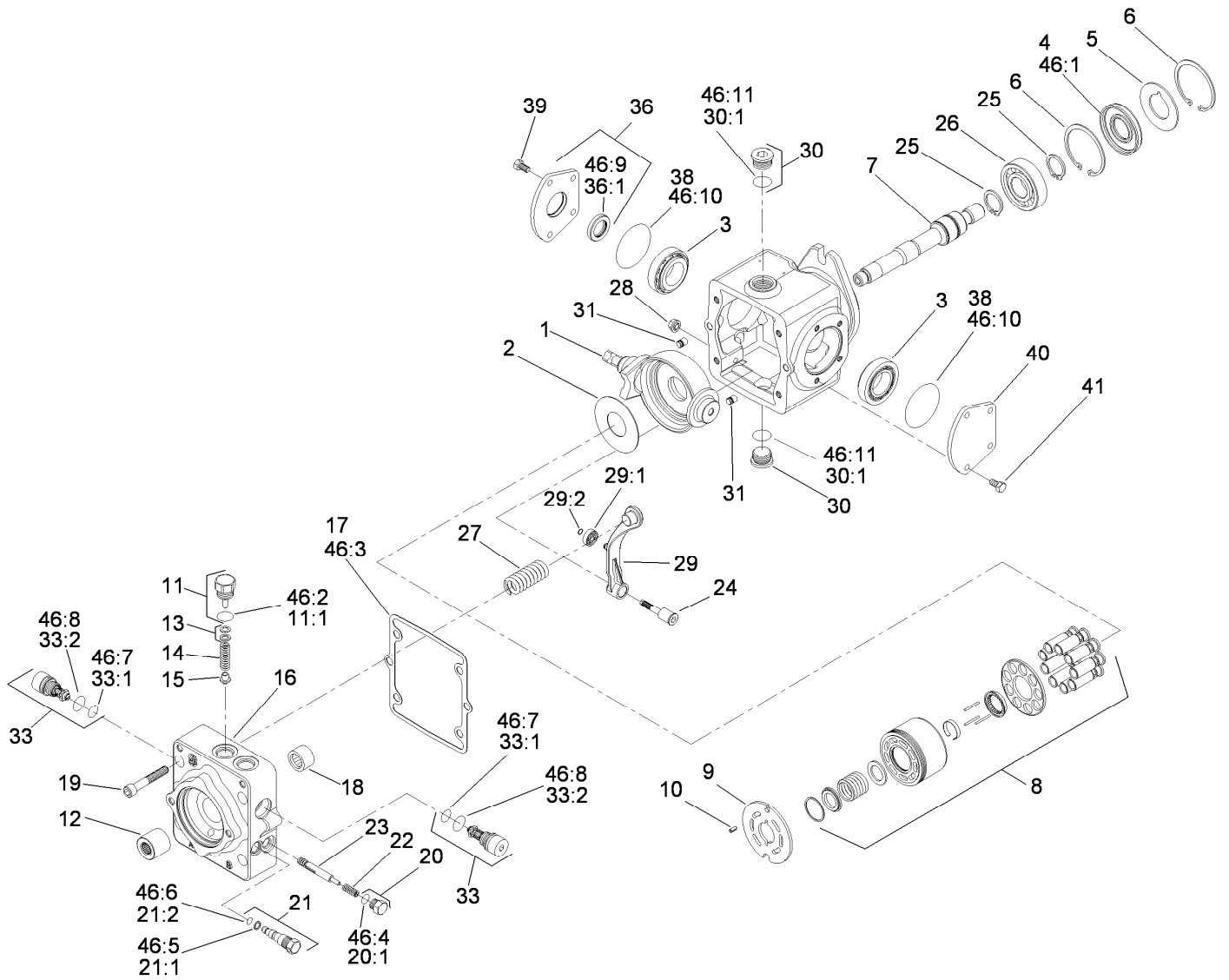


## Hydraulic Pump Assembly No. 119-6972

| Ref. | Part Number | Qty. | Description             | Ref. | Part Number | Qty. | Description            |
|------|-------------|------|-------------------------|------|-------------|------|------------------------|
| 1    | 115-8092    | 1    | Swashplate              | 18   | 75-0500     | 1    | Bearing-Needle         |
| 2    | 75-0400     | 1    | Plate-Thrust            | 19   | 110-6489    | 4    | Screw                  |
| 3    | 110-6483    | 2    | Bearing Kit             | 20   | 94-9415     | 2    | Plug ASM               |
| 4    | 110-6471    | 1    | Seal-Lip                | 20:1 |             | 1    | O-Ring ■               |
| 5    | 95-4400     | 1    | Washer-Backup           | 21   | 107-4364    | 1    | Bypass Valve ASM       |
| 6    | 69-3200     | 2    | Ring-Retaining          | 21:1 | 25-2630     | 1    | Ring-Back Up           |
| 7    | 110-6484    | 1    | Shaft-Auxiliary         | 21:2 | 110-6498    | 1    | O-Ring                 |
| 8    | 110-6472    | 1    | Cylinder Block Kit      | 22   | 110-6491    | 2    | Spring                 |
| 9    | 110-6473    | 1    | Plate-Valve (Clockwise) | 23   | 110-6492    | 1    | Spool-Loop, Flush      |
| 10   | 110-6485    | 1    | Pin-Slotted             | 24   | 110-6493    | 1    | Pivot-Return, Neutral  |
| 11   | 110-6486    | 1    | Plug-Relief, Charge     | 25   | 69-3170     | 2    | Ring-Retaining         |
| 11:1 | 28-3570     | 1    | O-Ring                  | 26   | 75-0460     | 1    | Bearing-Ball           |
| 12   | 110-6480    | 1    | Coupling                | 27   | 115-8085    | 1    | Spring-Neutral Return  |
| 13   | 92-1353     | 1    | Shim Kit                | 28   | 110-6496    | 1    | Nut-Seal               |
| 14   | 110-6474    | 1    | Spring                  | 29   | 110-6497    | 1    | Neutral Return Arm ASM |
| 15   | 110-6475    | 1    | Poppet                  | 29:1 | 110-6494    | 1    | Bearing-Cam            |
| 16   | 115-8087    | 1    | Cap-End                 | 29:2 | 110-3056    | 1    | Ring-Retaining         |
| 17   | 110-6476    | 1    | Gasket-Cap, End         | 30   | 69-3130     | 2    | Plug                   |

● Not illustrated

■ Not serviced separately

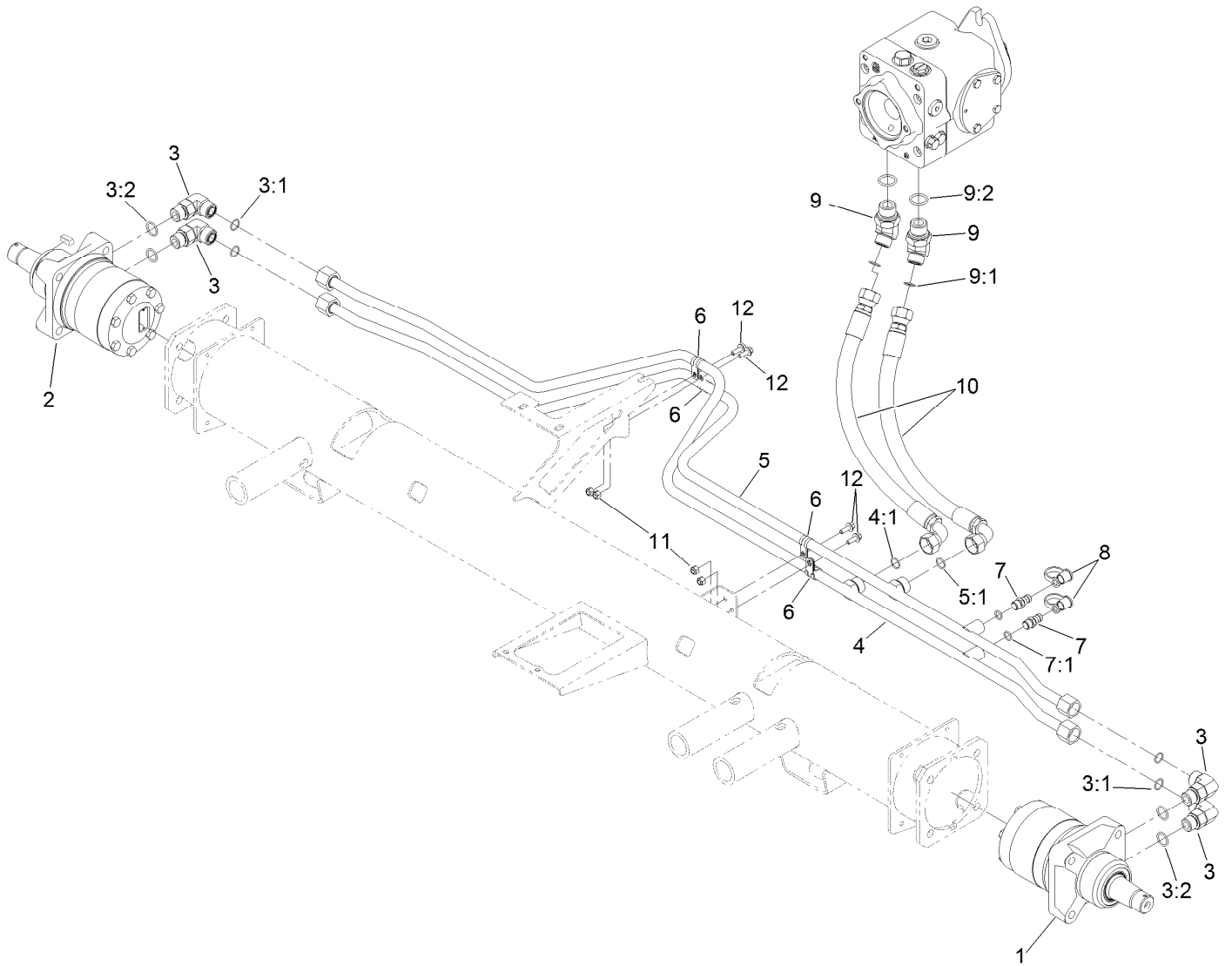


## Hydraulic Pump Assembly No. 119-6972 (continued)

| Ref. | Part Number | Qty. | Description        | Ref.  | Part Number | Qty. | Description     |
|------|-------------|------|--------------------|-------|-------------|------|-----------------|
| 30:1 |             | 1    | O-Ring ■           | 46:1  | 110-6471    | 1    | Seal-Lip        |
| 31   | 112-0158    | 2    | Pin                | 46:2  | 28-3570     | 1    | O-Ring          |
| 33   | 110-6477    | 2    | Valve-Relief       | 46:3  | 110-6476    | 1    | Gasket-Cap, End |
| 33:1 | 75-0240     | 1    | O-Ring             | 46:4  |             | 1    | O-Ring ■        |
| 33:2 | 84-0560     | 1    | O-Ring             | 46:5  | 25-2630     | 1    | Ring-Back Up    |
| 36   | 110-6499    | 1    | Trunnion Cover ASM | 46:6  | 110-6498    | 1    | O-Ring          |
| 36:1 | 110-6478    | 1    | Seal-Lip           | 46:7  | 75-0240     | 2    | O-Ring          |
| 38   | 84-0430     | 2    | O-Ring             | 46:8  | 84-0560     | 2    | O-Ring          |
| 39   | 112-0150    | 4    | Screw              | 46:9  | 110-6478    | 1    | Seal-Lip        |
| 40   | 84-0440     | 1    | Cover-Trunnion     | 46:10 | 84-0430     | 2    | O-Ring          |
| 41   | 112-0151    | 4    | Screw              | 46:11 |             | 2    | O-Ring ■        |
| 46   | 110-6481    | 1    | Seal Kit ●         |       |             |      |                 |

● Not illustrated

■ Not serviced separately

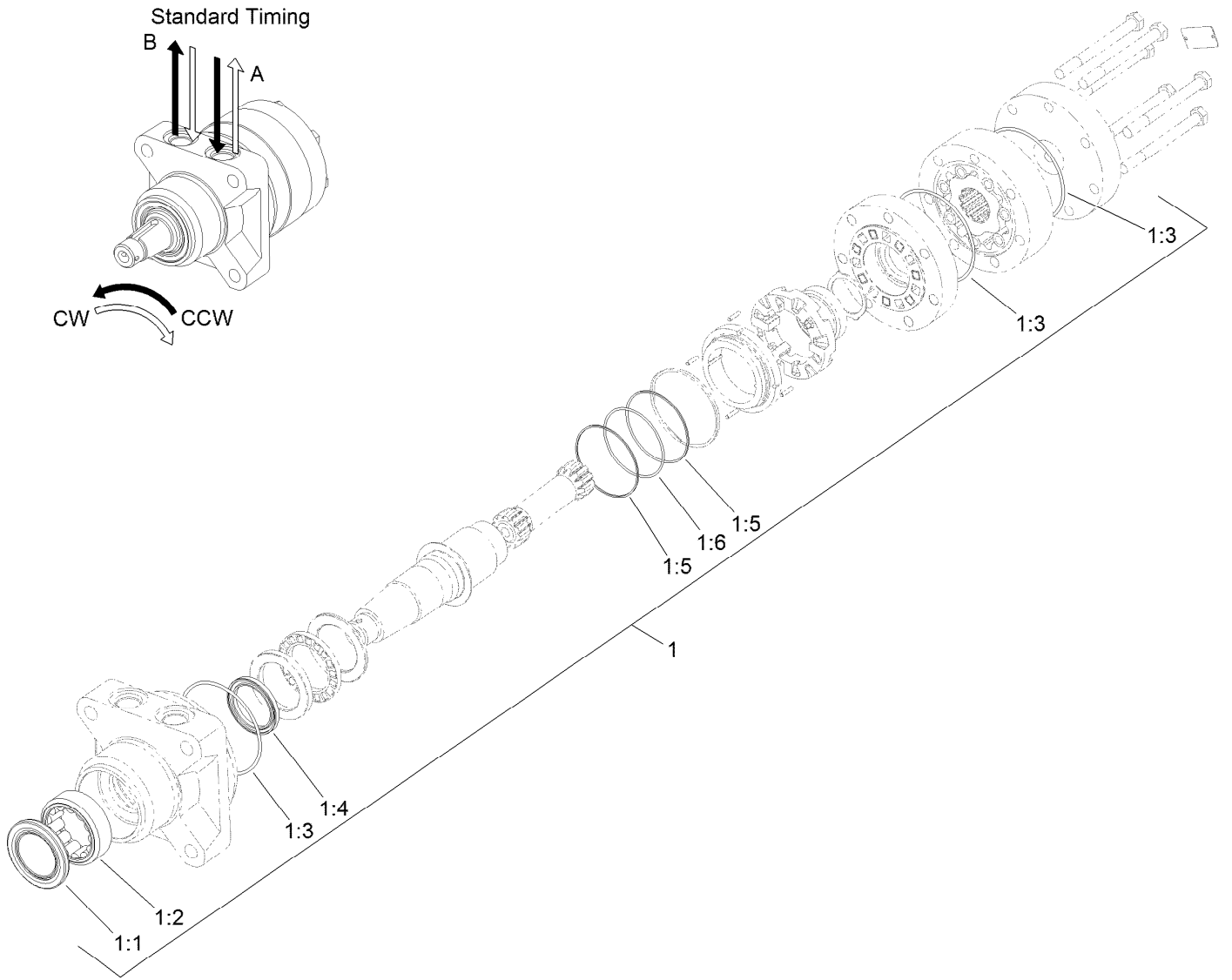


## Traction Hydraulic Assembly

| Ref. | Part Number | Qty. | Description               |
|------|-------------|------|---------------------------|
| 1    | 120-6264    | 1    | Hydraulic Motor ASM (CCW) |
| 2    | 120-6265    | 1    | Hydraulic Motor ASM (CW)  |
| 3    | 340-17      | 4    | Fitting-HYD, 90 DEG       |
| 3:1  | 237-65      | 1    | O-Ring                    |
| 3:2  | 237-80      | 1    | O-Ring                    |
| 4    | 108-7632    | 1    | Tube ASM                  |
| 4:1  | 237-65      | 1    | O-Ring                    |
| 5    | 108-7633    | 1    | Tube ASM                  |
| 5:1  | 237-65      | 1    | O-Ring                    |
| 6    | 2412-134    | 4    | Clamp-R                   |

| Ref. | Part Number | Qty. | Description        |
|------|-------------|------|--------------------|
| 7    | 59-7410     | 2    | Fitting-Diagnostic |
| 7:1  | 237-42      | 1    | O-Ring             |
| 8    | 354-79      | 2    | Cap-Dust           |
| 9    | 340-156     | 2    | Fitting-HYD        |
| 9:1  | 237-65      | 1    | O-Ring             |
| 9:2  | 237-81      | 1    | O-Ring             |
| 10   | 108-1679    | 2    | Hose-HYD           |
| 11   | 3296-42     | 4    | Nut-Lock, NI       |
| 12   | 3234-4      | 4    | Screw-HHF          |

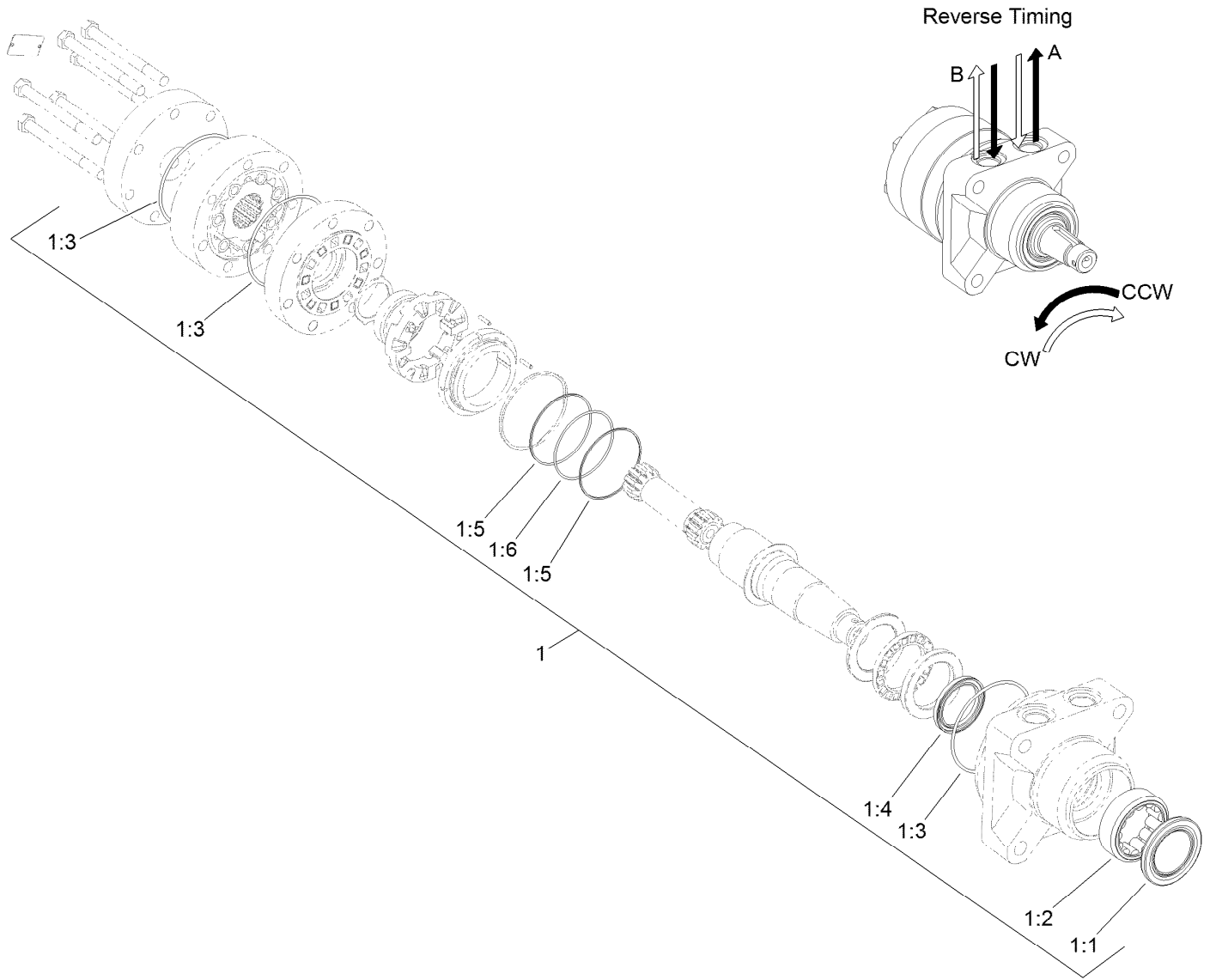




## Hydraulic Motor Assembly No. 120-6264 (CCW)

| Ref. | Part Number | Qty. | Description     |
|------|-------------|------|-----------------|
| 1    | 120-6268    | 1    | Seal Kit        |
| 1:1  |             | 1    | Seal-Grease ●   |
| 1:2  |             | 1    | Shell-Bearing ● |
| 1:3  |             | 3    | O-Ring ●        |
| 1:4  |             | 1    | Seal-Shaft ●    |
| 1:5  |             | 2    | Ring-Back Up ●  |
| 1:6  |             | 1    | O-Ring ●        |

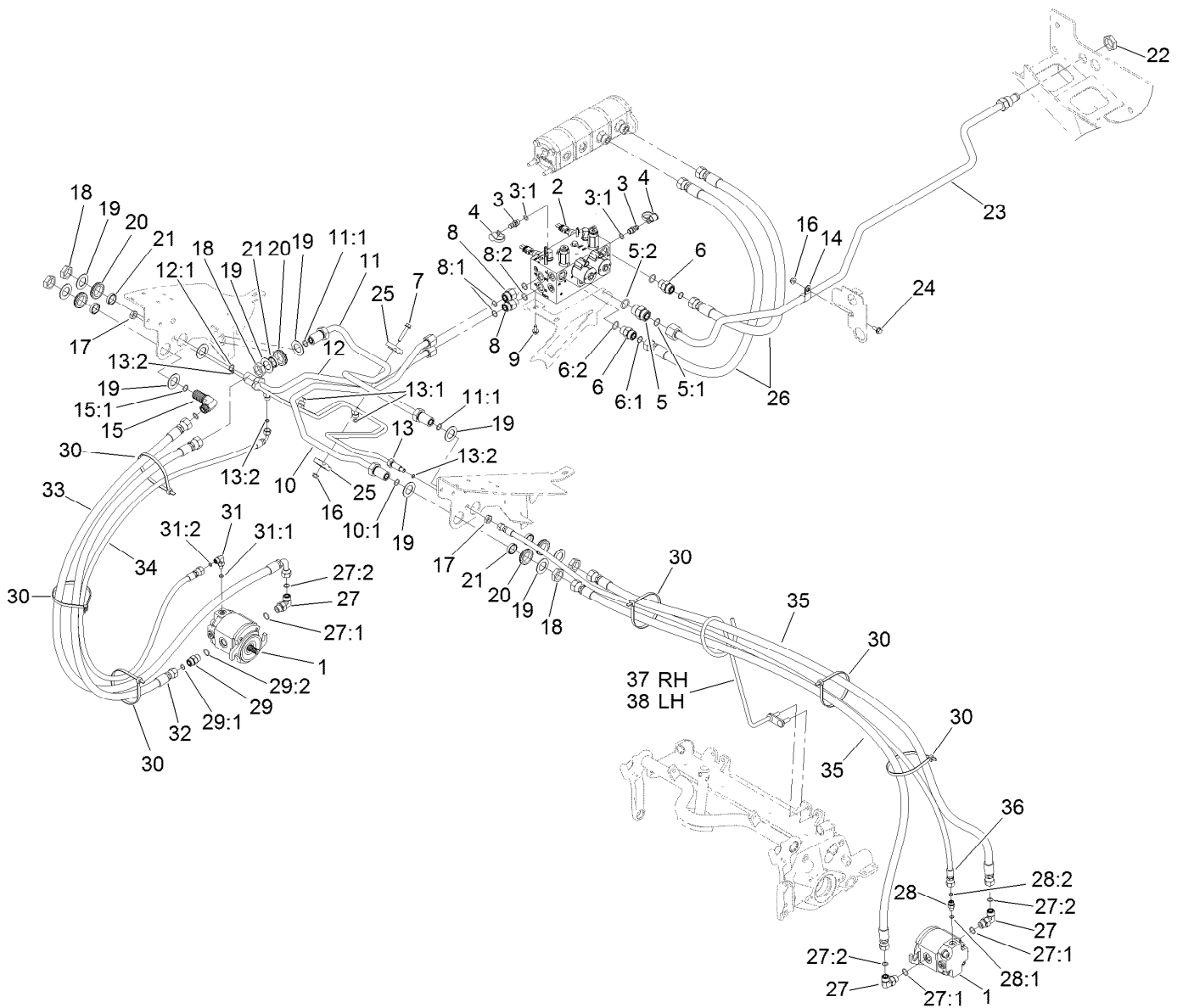
● Not serviced separately



## Hydraulic Motor Assembly No. 120-6265 (CW)

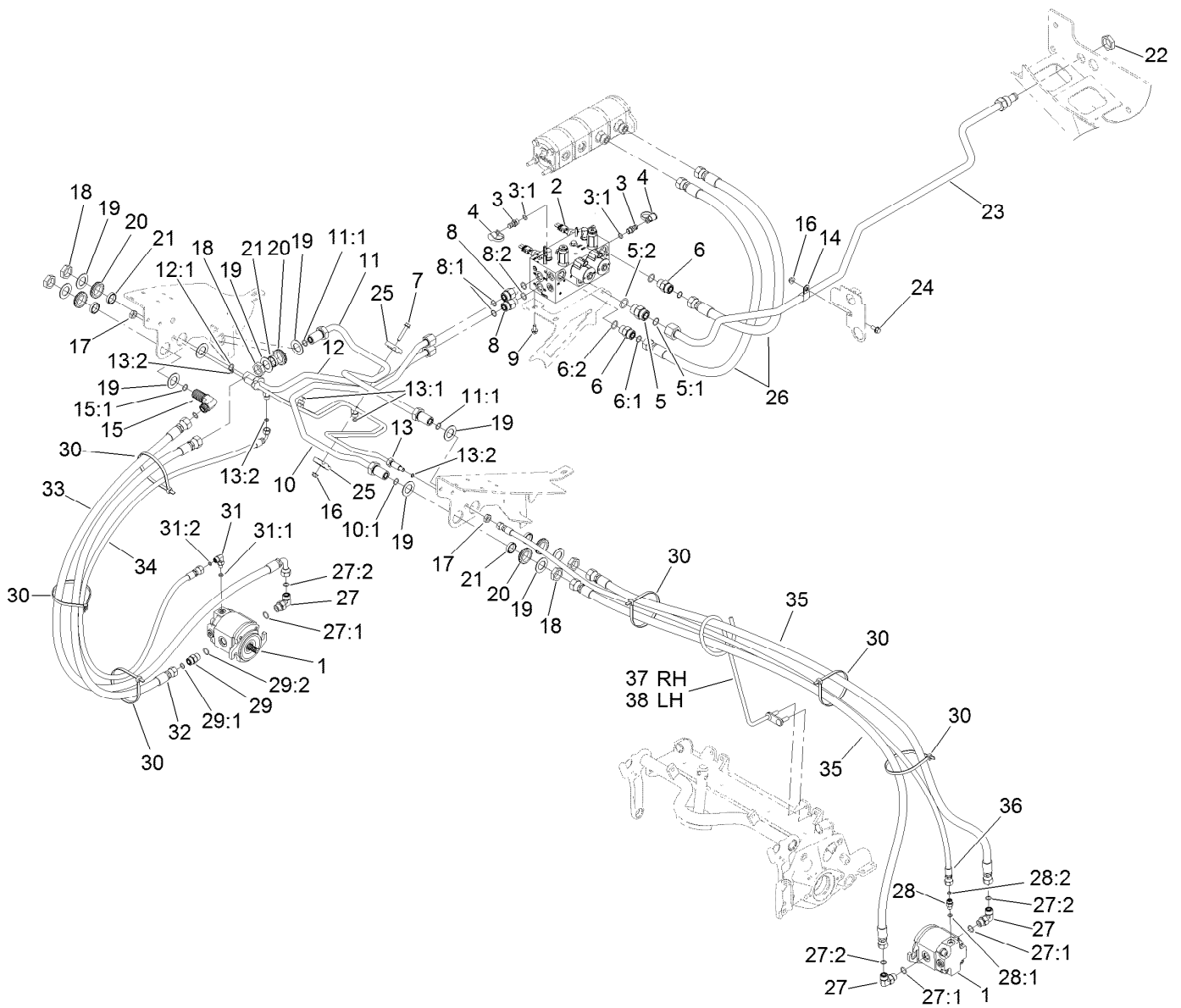
| Ref. | Part Number | Qty. | Description     |
|------|-------------|------|-----------------|
| 1    | 120-6268    | 1    | Seal Kit        |
| 1:1  |             | 1    | Seal-Grease ●   |
| 1:2  |             | 1    | Shell-Bearing ● |
| 1:3  |             | 3    | O-Ring ●        |
| 1:4  |             | 1    | Seal-Shaft ●    |
| 1:5  |             | 2    | Ring-Back Up ●  |
| 1:6  |             | 1    | O-Ring ●        |

● Not serviced separately



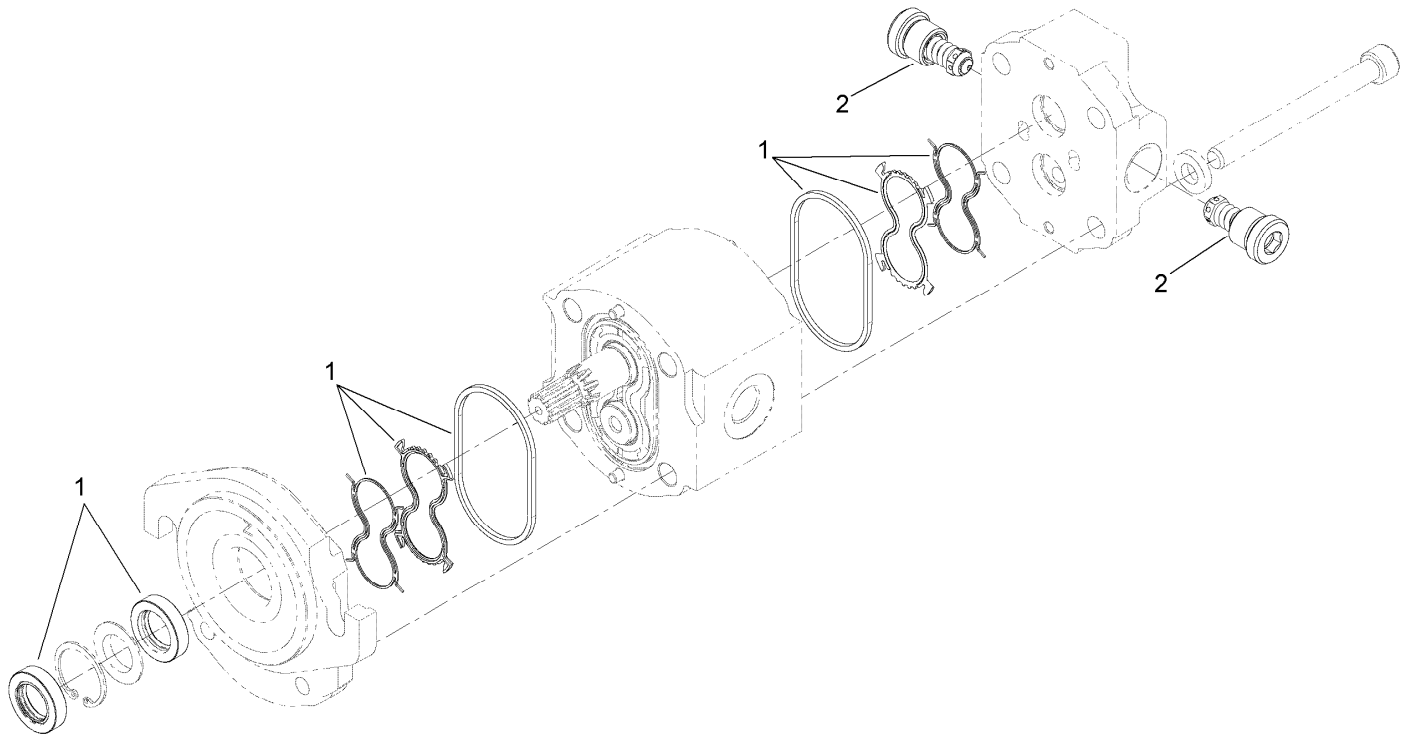
## No. 1, 4 and 5 Reel Drive Hydraulic Assembly

| Ref. | Part Number | Qty. | Description            | Ref. | Part Number | Qty. | Description              |
|------|-------------|------|------------------------|------|-------------|------|--------------------------|
| 1    | 120-6272    | 3    | HYD Motor ASM          | 12:1 | 237-65      | 1    | O-Ring                   |
| 2    | 121-5628    | 1    | Hydraulic Manifold ASM | 13   | 110-5286    | 1    | Tube ASM                 |
| 3    | 59-7410     | 2    | Fitting-Diagnostic     | 13:1 | 237-22      | 2    | O-Ring                   |
| 3:1  | 237-42      | 1    | O-Ring                 | 13:2 | 237-21      | 3    | O-Ring                   |
| 4    | 354-79      | 2    | Cap-Dust               | 14   | 2412-4      | 1    | Clamp                    |
| 5    | 340-9       | 1    | Fitting-HYD, Straight  | 15   | 340-72      | 1    | Fitting-Bulkhead, 90 DEG |
| 5:1  | 237-58      | 1    | O-Ring                 | 15:1 | 237-65      | 2    | O-Ring                   |
| 5:2  | 237-81      | 1    | O-Ring                 | 16   | 104-8300    | 2    | Nut-Flange, NI           |
| 6    | 340-7       | 2    | Adapter                | 17   | 340-78      | 2    | Nut-Lock                 |
| 6:1  | 237-65      | 1    | O-Ring                 | 18   | 340-74      | 5    | Nut-Lock, Bulkhead       |
| 6:2  | 237-80      | 1    | O-Ring                 | 19   | 69-9010     | 10   | Washer                   |
| 7    | 115-1794    | 1    | Screw-HHF              | 20   | 240-3       | 5    | Grommet-Rubber           |
| 8    | 340-155     | 2    | Fitting-HYD, Straight  | 21   | 125-1984    | 5    | Spacer                   |
| 8:1  | 237-79      | 1    | O-Ring                 | 22   | 340-126     | 1    | Nut-Bulkhead             |
| 8:2  | 237-151     | 1    | O-Ring                 | 23   | 108-1700    | 1    | Tube ASM                 |
| 9    | 3234-14     | 3    | Screw-HHF              | 24   | 3234-5      | 1    | Screw-HHF                |
| 10   | 117-0138    | 1    | Tube ASM               | 25   | 56-7970     | 2    | Clamp-Tube               |
| 10:1 | 237-65      | 1    | O-Ring                 | 26   | 108-1686    | 2    | Hose-HYD                 |
| 11   | 117-0137    | 1    | Tube ASM               | 27   | 340-98      | 5    | Fitting-HYD, 90 DEG      |
| 11:1 | 237-65      | 2    | O-Ring                 | 27:1 | 237-79      | 1    | O-Ring                   |
| 12   | 117-0139    | 1    | Tube ASM               | 27:2 | 237-30      | 1    | O-Ring                   |



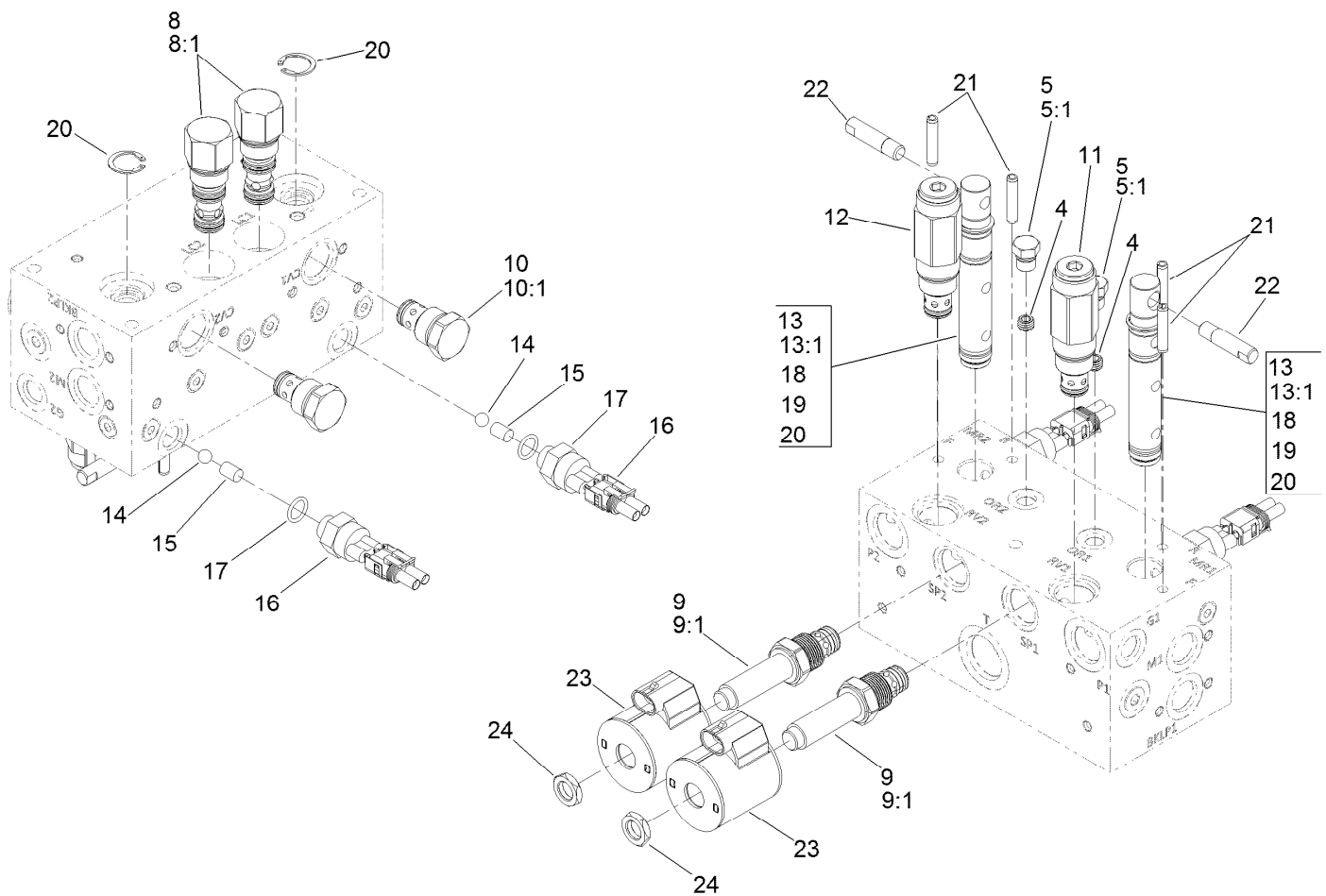
## No. 1, 4 and 5 Reel Drive Hydraulic Assembly (continued)

| <i>Ref.</i> | <i>Part Number</i> | <i>Qty.</i> | <i>Description</i>    | <i>Ref.</i> | <i>Part Number</i> | <i>Qty.</i> | <i>Description</i> |
|-------------|--------------------|-------------|-----------------------|-------------|--------------------|-------------|--------------------|
| 28          | 340-92             | 2           | Fitting-HYD, Straight | 31:2        | 237-21             | 1           | O-Ring             |
| 28:1        | 237-78             | 1           | O-Ring                | 32          | 114-0633           | 1           | Hose-HYD           |
| 28:2        | 237-21             | 1           | O-Ring                | 33          | 117-5190           | 1           | Hose-HYD           |
| 29          | 340-4              | 1           | Fitting-HYD, Straight | 34          | 106-3671           | 1           | Hose-HYD           |
| 29:1        | 237-30             | 1           | O-Ring                | 35          | 117-5188           | 4           | Hose-HYD           |
| 29:2        | 237-79             | 1           | O-Ring                | 36          | 106-3680           | 2           | Hose-HYD           |
| 30          | 3334-945           | 9           | Tie-Cable             | 37          | 119-3920           | 1           | Guide-Hose, RH     |
| 31          | 340-132            | 1           | Fitting-HYD, 90 DEG   | 38          | 119-3921           | 1           | Guide-Hose, LH     |
| 31:1        | 237-78             | 1           | O-Ring                |             |                    |             |                    |



## Hydraulic Motor Assembly No. 120-6272

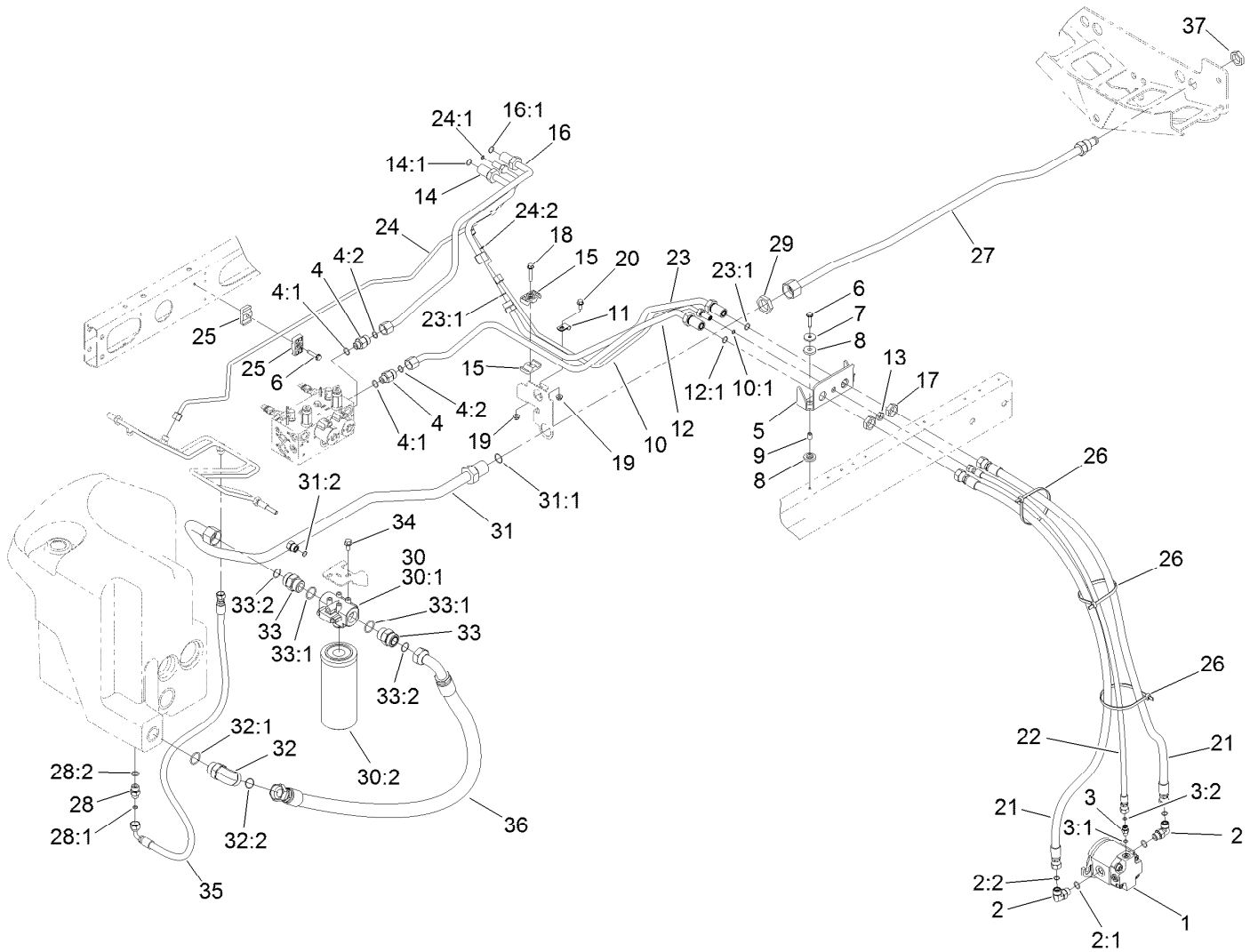
| <i>Ref.</i> | <i>Part Number</i> | <i>Qty.</i> | <i>Description</i> |
|-------------|--------------------|-------------|--------------------|
| 1           | 125-1682           | 1           | Motor Seal Kit     |
| 2           | 117-5107           | 1           | Valve-Check        |



## Manifold Assembly No. 121-5628

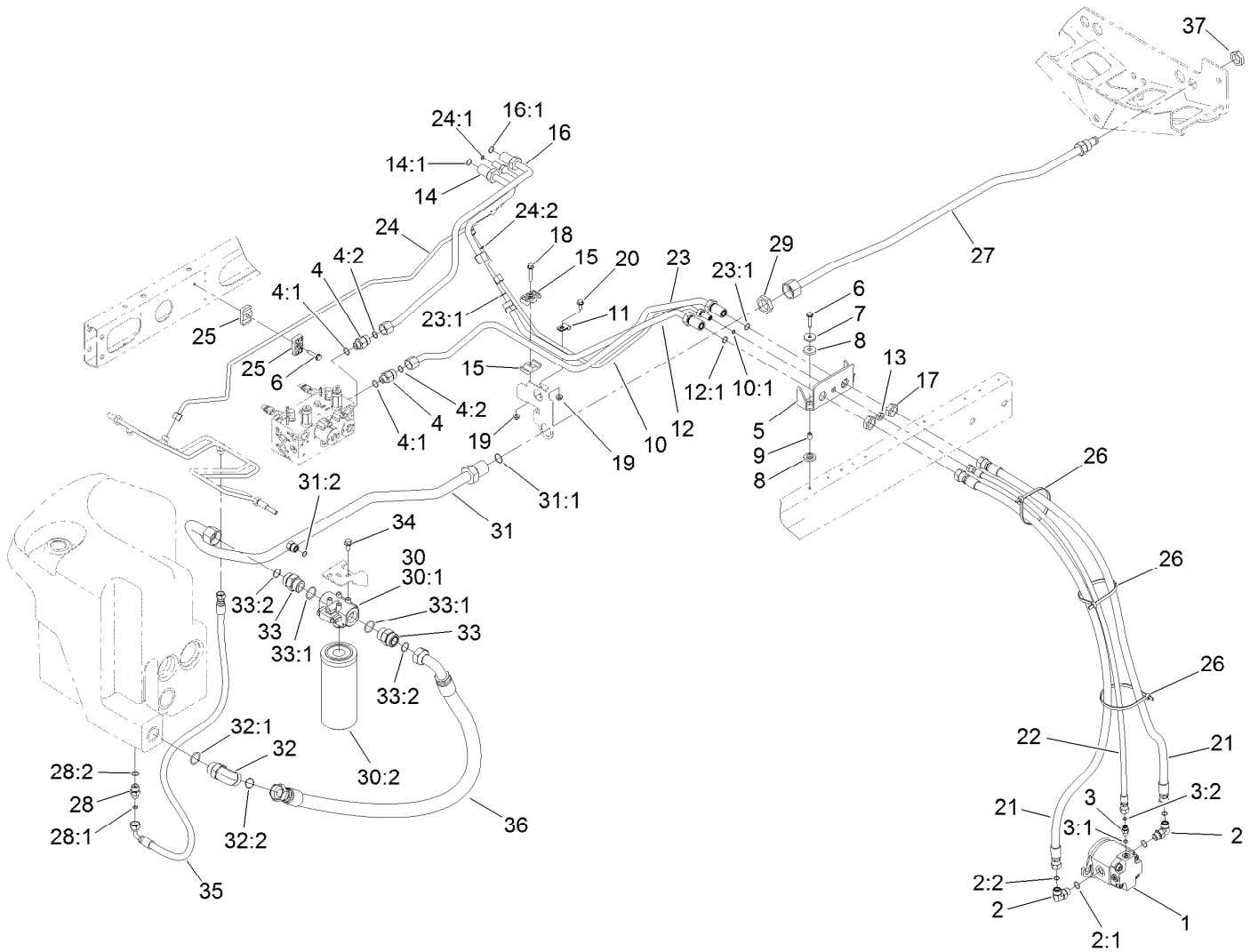
| Ref. | Part Number | Qty. | Description            | Ref. | Part Number | Qty. | Description    |
|------|-------------|------|------------------------|------|-------------|------|----------------|
| 4    | 110-8883    | 1    | Plug-Orifice (0.040)   | 13:1 | 117-0109    | 1    | Seal Kit       |
| 5    | 117-0115    | 1    | Plug-HYD               | 14   | 117-4605    | 2    | Ball-Ss        |
| 5:1  | 237-78      | 1    | O-Ring                 | 15   | 120-1650    | 2    | Pin            |
| 8    | 120-1693    | 2    | Compensator-Pressure   | 16   | 72-4310     | 2    | Switch-Ball    |
| 8:1  | 119-2159    | 1    | Seal Kit               | 17   | 110-8757    | 2    | O-Ring         |
| 9    | 120-1694    | 2    | Valve-Proportional, Nc | 18   | 117-4606    | 6    | O-Ring         |
| 9:1  | 105-9159    | 1    | Seal Kit               | 19   | 112-6534    | 4    | Ring-Back Up   |
| 10   | 110-8881    | 2    | Valve-Check            | 20   | 112-6532    | 4    | Ring-Retaining |
| 10:1 | 105-9159    | 1    | Seal Kit ●             | 21   | 112-6531    | 4    | Pin-Spring     |
| 11   | 125-8757    | 1    | Valve-Relief, 2500 Psi | 22   | 110-8758    | 2    | Handle-Spool   |
| 12   | 125-8758    | 1    | Valve-Relief           | 23   | 110-6344    | 2    | Coil-12V, Dc   |
| 13   | 117-0108    | 2    | Spool-Rotary           | 24   | 110-2634    | 2    | Nut-Coil       |

● Not illustrated



## No. 2 and 3 Reel Drive Hydraulic Assembly

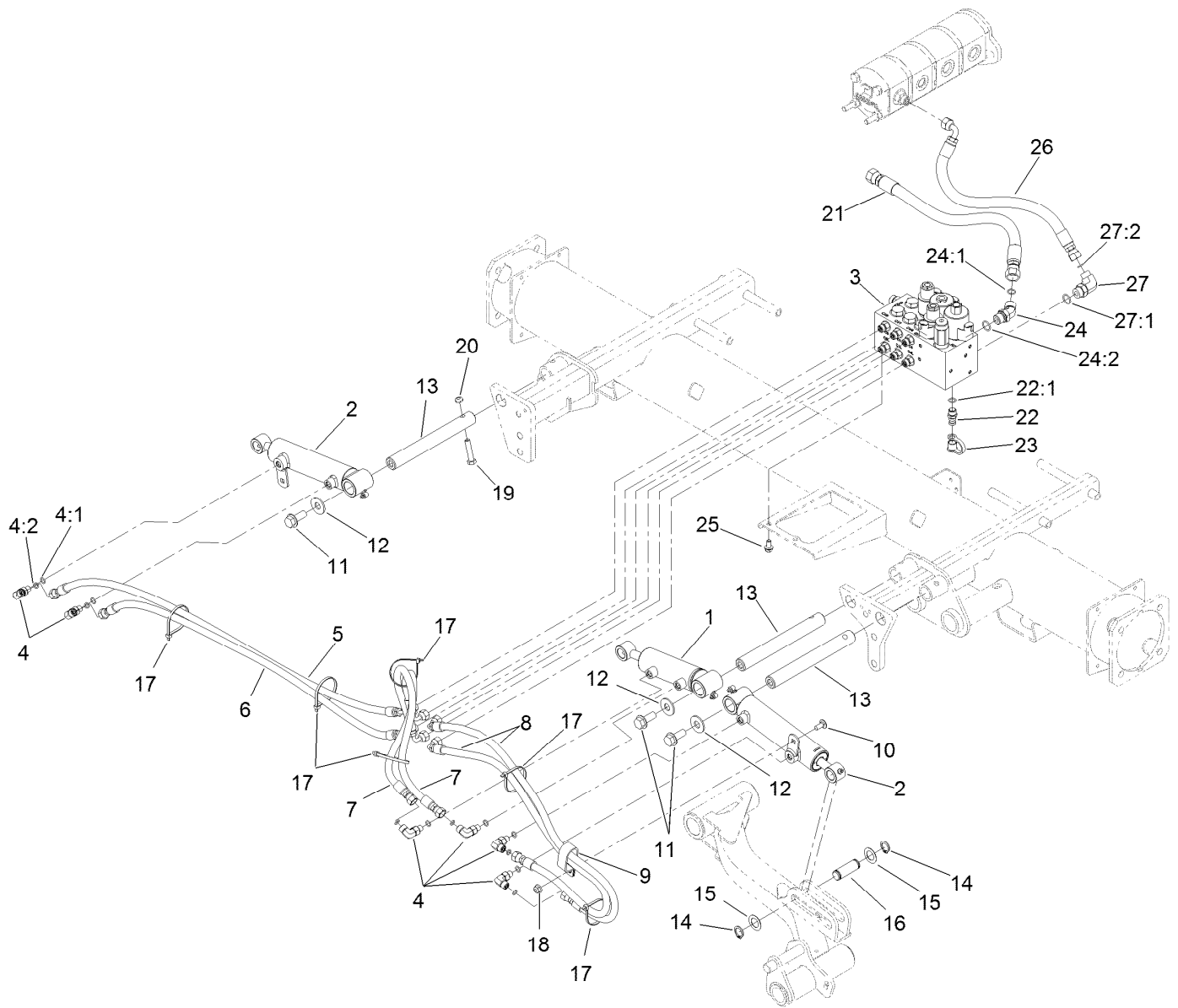
| Ref. | Part Number | Qty. | Description           | Ref. | Part Number | Qty. | Description        |
|------|-------------|------|-----------------------|------|-------------|------|--------------------|
| 1    | 120-6272    | 2    | HYD Motor ASM         | 14   | 117-0140    | 1    | Tube ASM           |
| 2    | 340-98      | 4    | Fitting-HYD, 90 DEG   | 14:1 | 237-65      | 1    | O-Ring             |
| 2:1  | 237-79      | 1    | O-Ring                | 15   | 56-7971     | 2    | Clamp-Tube         |
| 2:2  | 237-30      | 1    | O-Ring                | 16   | 117-0141    | 1    | Tube ASM           |
| 3    | 340-92      | 2    | Fitting-HYD, Straight | 16:1 | 237-65      | 1    | O-Ring             |
| 3:1  | 237-78      | 1    | O-Ring                | 17   | 340-74      | 4    | Nut-Lock, Bulkhead |
| 3:2  | 237-21      | 1    | O-Ring                | 18   | 115-1794    | 1    | Screw-HHF          |
| 4    | 340-155     | 2    | Fitting-HYD, Straight | 19   | 104-8300    | 2    | Nut-Flange, NI     |
| 4:1  | 237-79      | 1    | O-Ring                | 20   | 3234-5      | 1    | Screw-HHF          |
| 4:2  | 237-151     | 1    | O-Ring                | 21   | 114-0633    | 4    | Hose-HYD           |
| 5    | 117-0174-03 | 2    | Bracket-Bulkhead      | 22   | 98-4590     | 2    | Hose-HYD           |
| 6    | 32144-57    | 5    | Screw                 | 23   | 117-0177    | 1    | Tube ASM           |
| 7    | 105-3048    | 4    | Washer-Flat           | 23:1 | 237-65      | 2    | O-Ring             |
| 8    | 240-11      | 8    | Bushing-Flange        | 24   | 114-8888    | 1    | Tube ASM           |
| 9    | 99-8611     | 4    | Spacer                | 24:1 | 237-22      | 1    | O-Ring             |
| 10   | 114-8887    | 1    | Tube ASM              | 24:2 | 237-21      | 1    | O-Ring             |
| 10:1 | 237-21      | 1    | O-Ring                | 25   | 56-7972     | 2    | Clamp-Tube         |
| 11   | 2412-113    | 1    | Clamp                 | 26   | 3334-945    | 6    | Tie-Cable          |
| 12   | 117-0142    | 1    | Tube ASM              | 27   | 108-1691    | 1    | Tube ASM           |
| 12:1 | 237-65      | 1    | O-Ring                | 28   | 340-3       | 1    | Adapter            |
| 13   | 340-78      | 2    | Nut-Lock              | 28:1 | 237-22      | 1    | O-Ring             |



## No. 2 and 3 Reel Drive Hydraulic Assembly (continued)

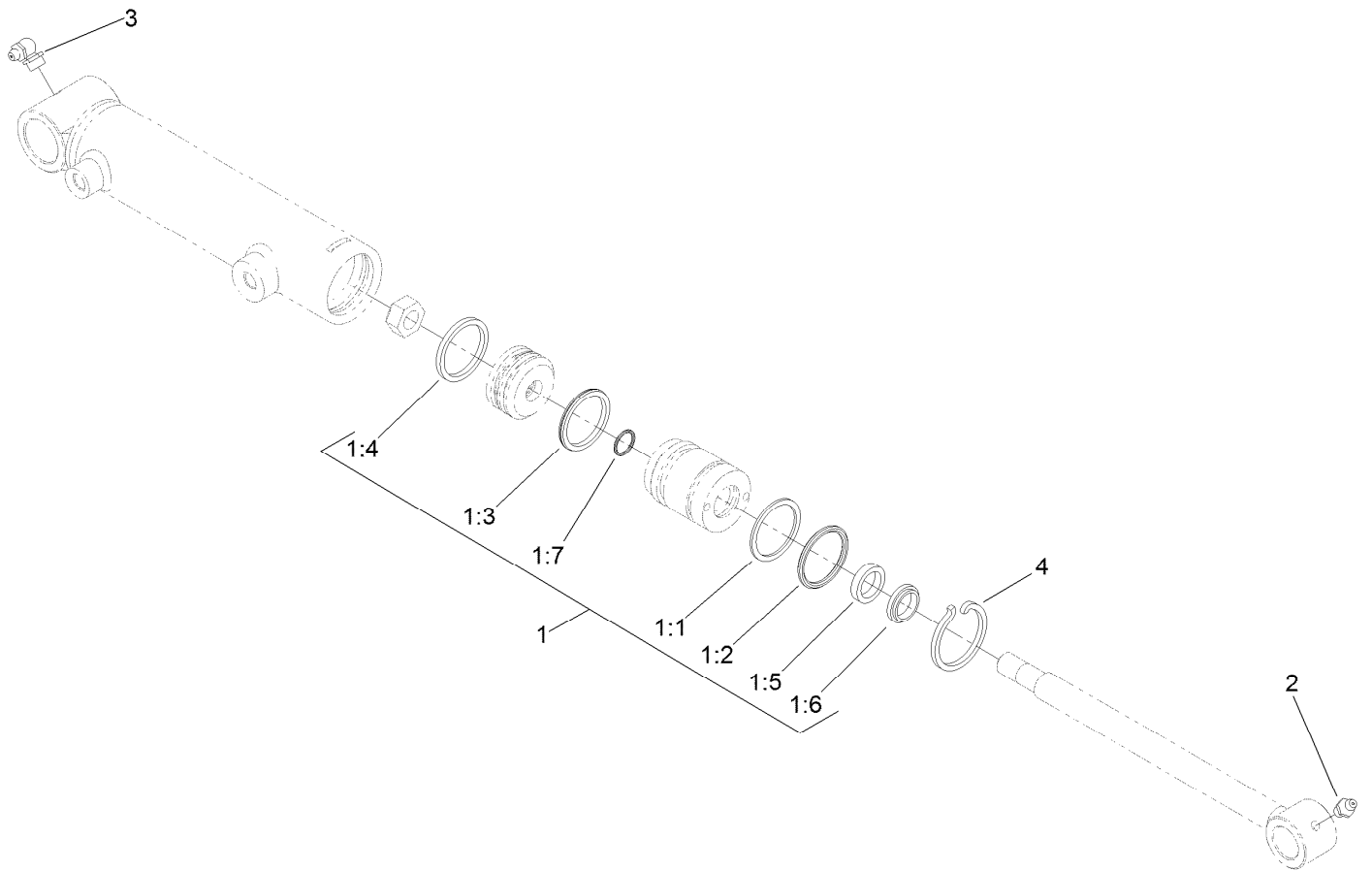
| <i>Ref.</i> | <i>Part Number</i> | <i>Qty.</i> | <i>Description</i> | <i>Ref.</i> | <i>Part Number</i> | <i>Qty.</i> | <i>Description</i>    |
|-------------|--------------------|-------------|--------------------|-------------|--------------------|-------------|-----------------------|
| 28:2        | 237-79             | 1           | O-Ring             | 32:1        | 237-146            | 1           | O-Ring                |
| 29          | 340-128            | 1           | Nut-Bulkhead       | 32:2        | 340-65             | 1           | O-Ring                |
| 30          | 98-3923            | 1           | Oil Filter ASM     | 33          | 104-3797           | 2           | Fitting-HYD, Straight |
| 30:1        | 104-0080           | 1           | Filter Head ASM    | 33:1        | 237-146            | 1           | O-Ring                |
| 30:2        | 94-2621            | 1           | Element-Filter     | 33:2        | 340-65             | 1           | O-Ring                |
| 31          | 108-1699           | 1           | Tube ASM           | 34          | 3234-1             | 2           | Screw-HHF             |
| 31:1        | 340-65             | 1           | O-Ring             | 35          | 66-8490            | 1           | Hose-HYD              |
| 31:2        | 237-30             | 1           | O-Ring             | 36          | 108-1689           | 1           | Hose-HYD              |
| 32          | 340-129            | 1           | Fitting-HYD, 90    | 37          | 340-126            | 1           | Nut-Bulkhead          |





## No. 1, 4 and 5 Lift Arm Hydraulic Assembly

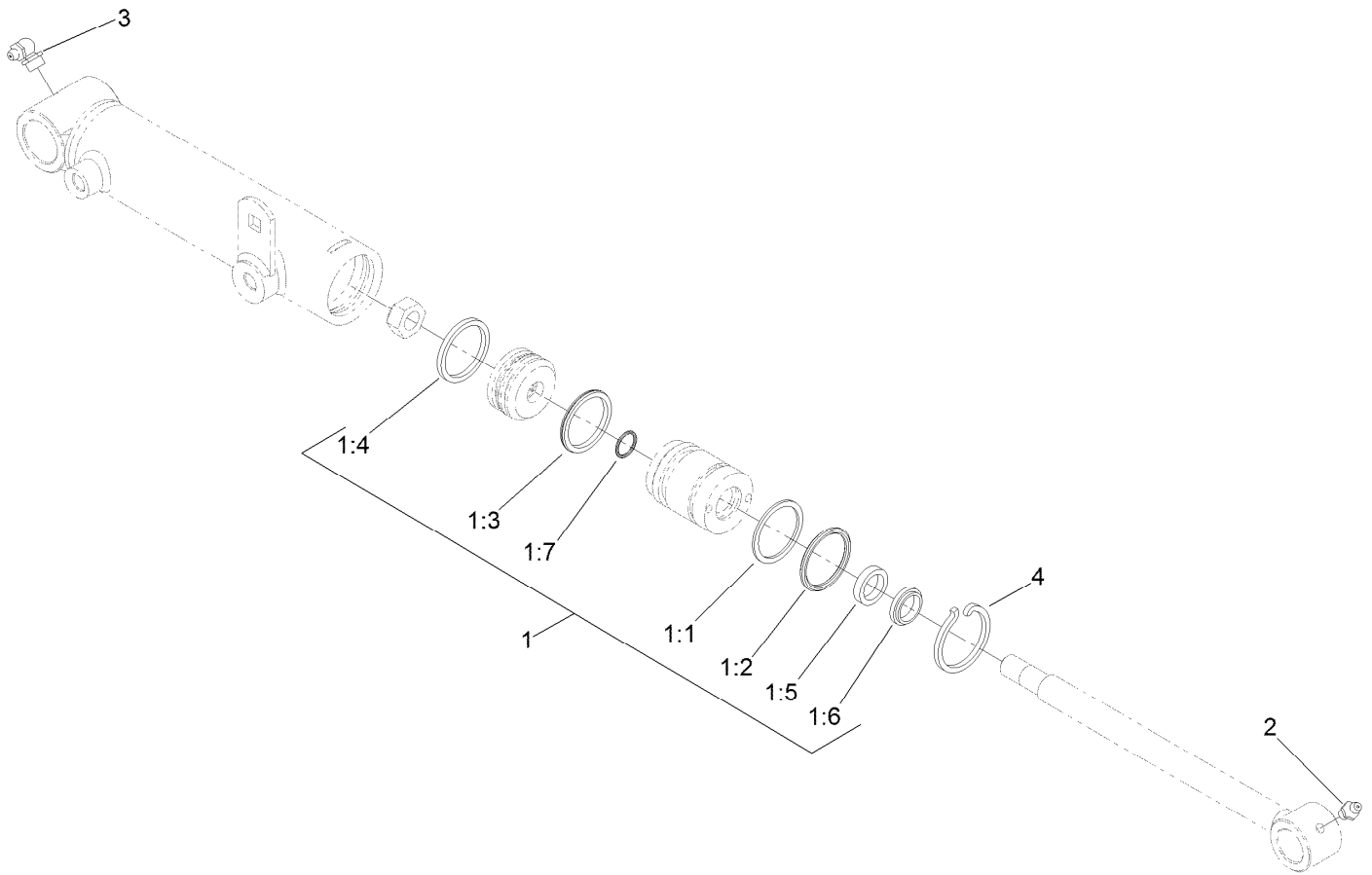
| Ref. | Part Number | Qty. | Description                 | Ref. | Part Number | Qty. | Description         |
|------|-------------|------|-----------------------------|------|-------------|------|---------------------|
| 1    | 119-6988    | 1    | HYD Cylinder ASM            | 16   | 104-0046    | 3    | Pin-Slide, Cylinder |
| 2    | 119-6987    | 2    | HYD Cylinder ASM            | 17   | 3290-379    | 6    | Tie-Cable           |
| 3    | 105-7577    | 1    | HYD Lift Block Manifold ASM | 18   | 104-8300    | 1    | Nut-Flange, NI      |
| 4    | 340-132     | 6    | Fitting-HYD, 90 DEG         | 19   | 323-9       | 3    | Screw-HH            |
| 4:1  | 237-78      | 1    | O-Ring                      | 20   | 3296-59     | 3    | Nut-Lock, NI        |
| 4:2  | 237-21      | 1    | O-Ring                      | 21   | 117-0180    | 1    | Hose-HYD            |
| 5    | 106-3692    | 1    | Hose-HYD                    | 22   | 59-7410     | 1    | Fitting-Diagnostic  |
| 6    | 106-3693    | 1    | Hose-HYD                    | 22:1 | 237-42      | 1    | O-Ring              |
| 7    | 93-6887     | 2    | Hose-HYD                    | 23   | 354-79      | 1    | Cap-Dust            |
| 8    | 85-4940     | 2    | Hose-HYD                    | 24   | 340-101     | 1    | Fitting-HYD, 45 DEG |
| 9    | 2412-137    | 1    | Clamp-R, Double             | 24:1 | 237-30      | 1    | O-Ring              |
| 10   | 3230-23     | 1    | Screw-CARR                  | 24:2 | 237-79      | 1    | O-Ring              |
| 11   | 3234-38     | 3    | Screw-HHF                   | 25   | 3234-14     | 2    | Screw-HHF           |
| 12   | 3256-6      | 3    | Washer-Flat                 | 26   | 92-5694     | 1    | Hose-Hydraulic      |
| 13   | 117-0148    | 3    | Pin-Cylinder                | 27   | 340-18      | 1    | Fitting-HYD, 90 DEG |
| 14   | 32120-93    | 6    | Ring-Retaining              | 27:1 | 237-79      | 1    | O-Ring              |
| 15   | 3-6498      | 6    | Washer-Thrust               | 27:2 | 237-22      | 1    | O-Ring              |



## Hydraulic Cylinder Assembly No. 119-6988

| Ref. | Part Number | Qty. | Description    |
|------|-------------|------|----------------|
| 1    | 119-6992    | 1    | Seal Kit       |
| 1:1  |             | 1    | O-Ring ●       |
| 1:2  |             | 1    | Backup ●       |
| 1:3  |             | 1    | Bp Seal ●      |
| 1:4  |             | 1    | Wear Ring-Ht ● |
| 1:5  |             | 1    | Bs Seal ●      |
| 1:6  |             | 1    | Dust Seal-Dt ● |
| 1:7  |             | 1    | O-Ring ●       |
| 2    | 302-5       | 1    | Fitting-Grease |
| 3    | 302-33      | 1    | Fitting-Grease |
| 4    | 84-1680     | 1    | Ring-Retaining |

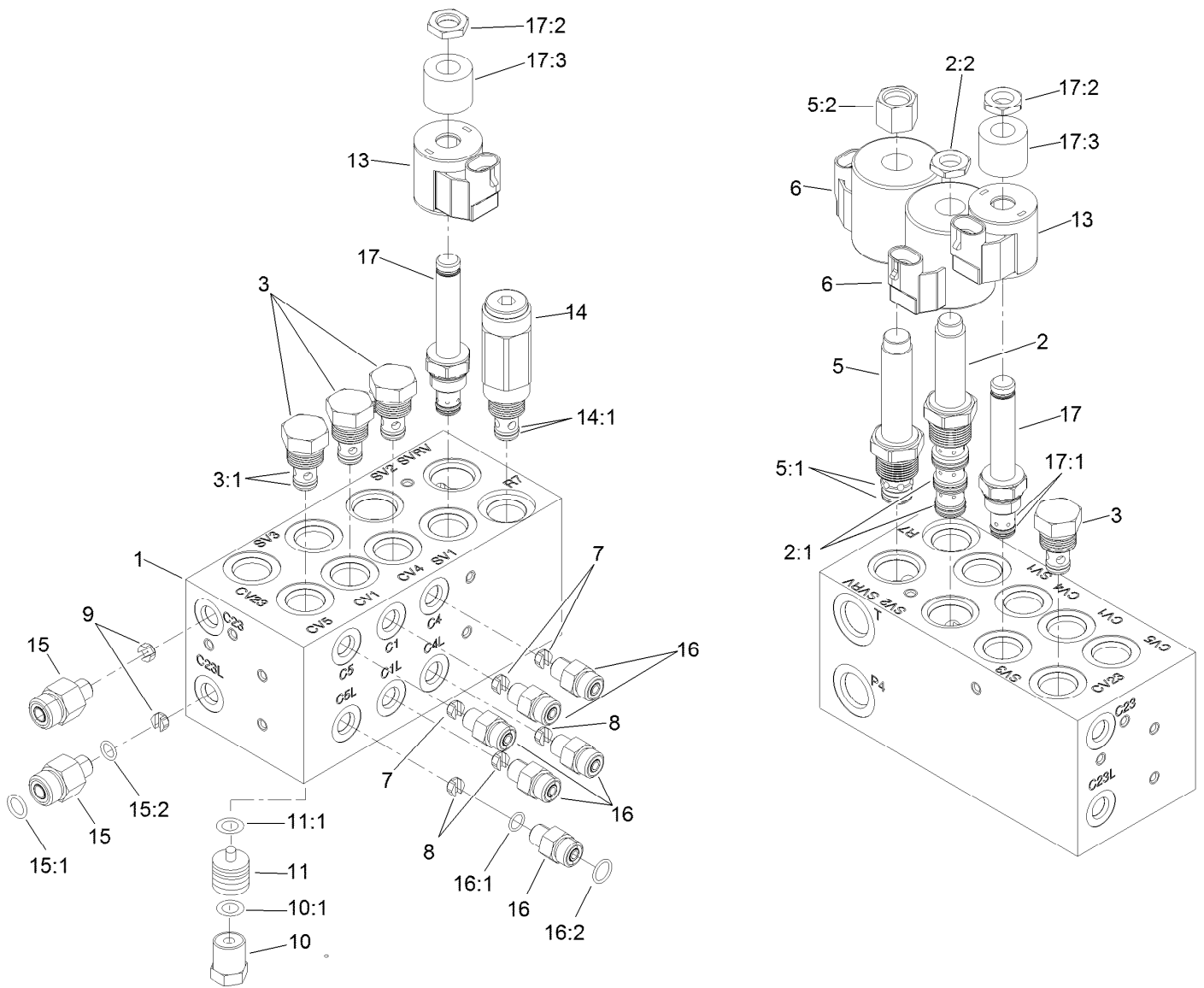
● Not serviced separately



## Hydraulic Cylinder Assembly No. 119-6987

| <i>Ref.</i> | <i>Part Number</i> | <i>Qty.</i> | <i>Description</i> |
|-------------|--------------------|-------------|--------------------|
| 1           | 119-6992           | 1           | Seal Kit           |
| 1:1         |                    | 1           | O-Ring ●           |
| 1:2         |                    | 1           | Backup ●           |
| 1:3         |                    | 1           | Bp Seal ●          |
| 1:4         |                    | 1           | Wear Ring-Ht ●     |
| 1:5         |                    | 1           | Bs Seal ●          |
| 1:6         |                    | 1           | Dust Seal-Dt ●     |
| 1:7         |                    | 1           | O-Ring ●           |
| 2           | 302-5              | 1           | Fitting-Grease     |
| 3           | 302-33             | 1           | Fitting-Grease     |
| 4           | 84-1680            | 1           | Ring-Retaining     |

● Not serviced separately

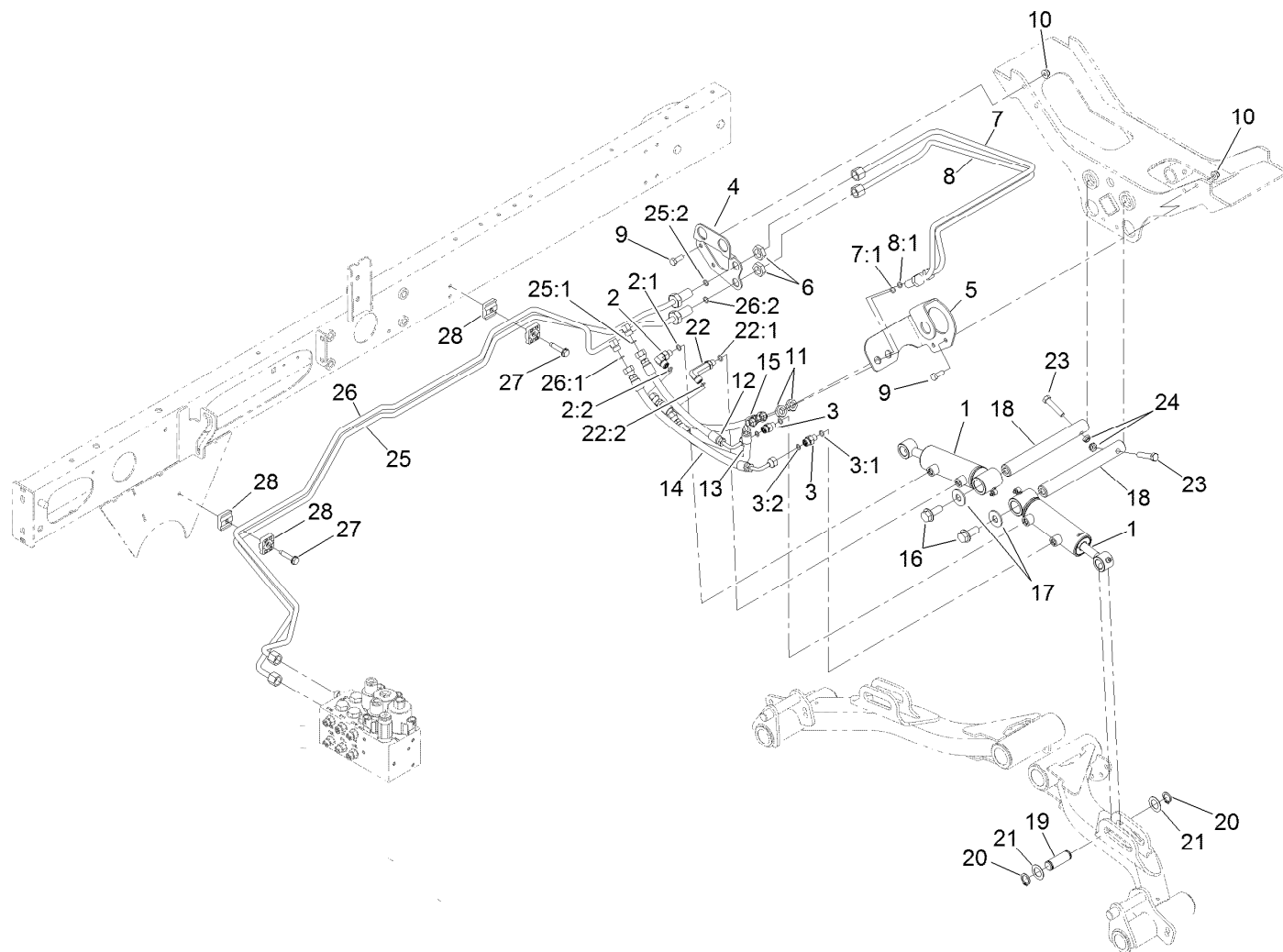


## Hydraulic Manifold Block Assembly No. 105-7577

| Ref. | Part Number | Qty. | Description                   |
|------|-------------|------|-------------------------------|
| 1    |             | 1    | Block-Manifold ●              |
| 2    | 110-8906    | 1    | Valve-Solenoid                |
| 2:1  | 110-8908    | 1    | Spool Valve Seal Kit          |
| 2:2  | 110-2634    | 1    | Nut-Coil                      |
| 3    | 110-9006    | 4    | Valve-Check                   |
| 3:1  | 105-9156    | 1    | Seal Kit                      |
| 5    | 110-8905    | 1    | Valve-Relief, Solenoid        |
| 5:1  | 110-6316    | 1    | Seal Kit                      |
| 5:2  | 110-2635    | 1    | Nut-Coil                      |
| 6    | 110-6344    | 2    | Coil-12V, Dc                  |
| 7    | 110-8904    | 3    | Orifice-Control, Flow (0.028) |
| 8    | 110-8903    | 3    | Orifice-Control, Flow (0.055) |
| 9    | 110-8902    | 2    | Orifice-Control, Flow (0.046) |
| 10   | 354-70      | 4    | Plug-Hex, Hollow              |
| 10:1 | 237-80      | 1    | O-Ring                        |

| Ref. | Part Number | Qty. | Description           |
|------|-------------|------|-----------------------|
| 11   | 110-8901    | 4    | Piston-Pilot          |
| 11:1 | 110-8900    | 1    | O-Ring                |
| 13   | 110-0497    | 2    | Coil-Solenoid         |
| 14   | 110-8899    | 1    | Valve-Relief          |
| 14:1 | 105-9156    | 1    | Seal Kit              |
| 15   | 340-88      | 2    | Adapter               |
| 15:1 | 237-22      | 1    | O-Ring                |
| 15:2 | 237-78      | 1    | O-Ring                |
| 16   | 340-92      | 6    | Fitting-HYD, Straight |
| 16:1 | 237-78      | 1    | O-Ring                |
| 16:2 | 237-21      | 1    | O-Ring                |
| 17   | 110-8898    | 2    | Valve-Solenoid        |
| 17:1 | 107-7527    | 1    | Seal Kit              |
| 17:2 | 110-2634    | 1    | Nut-Coil              |
| 17:3 | 110-8909    | 1    | Spacer-Coil           |

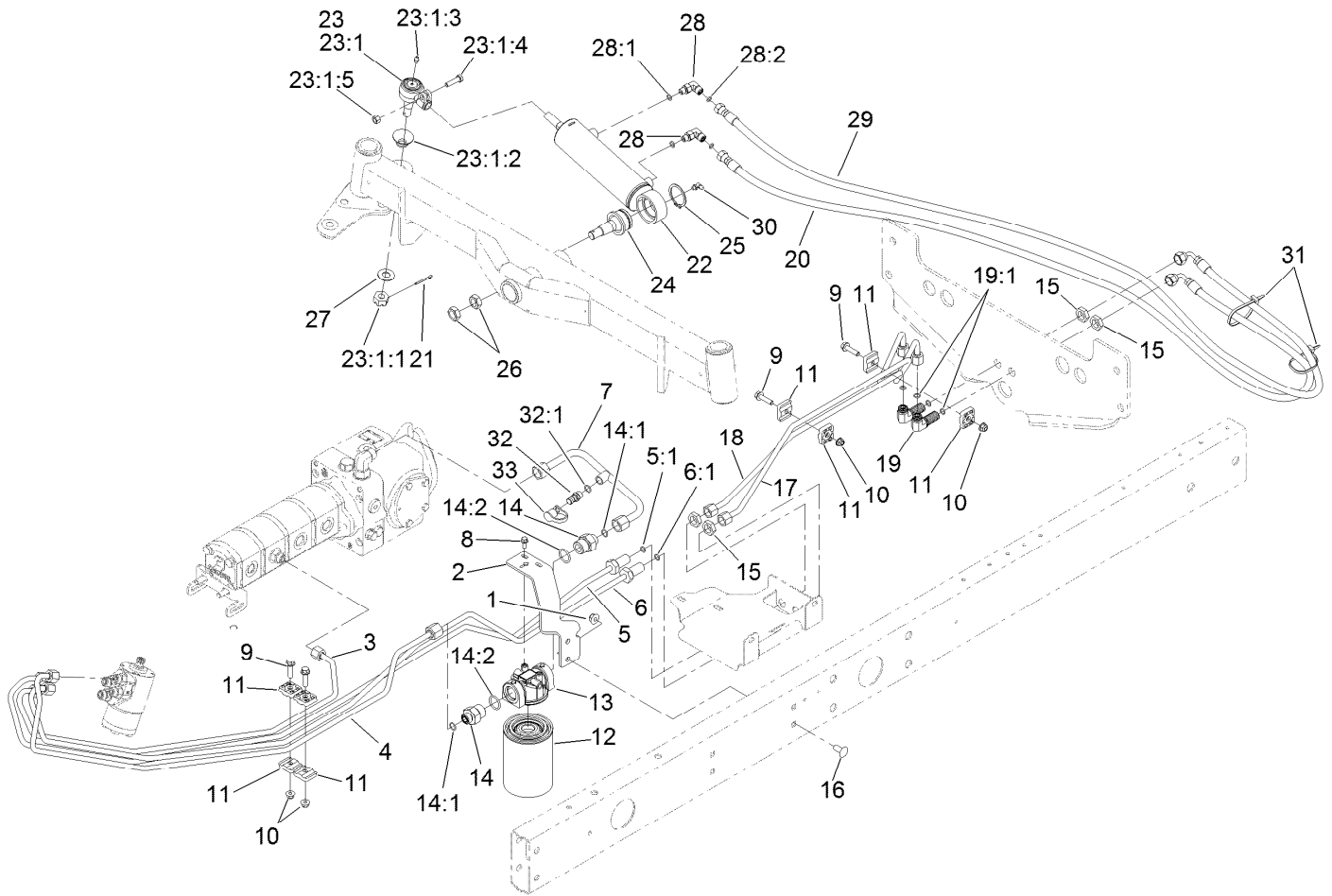
● Not serviced separately



## No. 2 and 3 Lift Arm Hydraulic Assembly

| <i>Ref.</i> | <i>Part Number</i> | <i>Qty.</i> | <i>Description</i>    |
|-------------|--------------------|-------------|-----------------------|
| 1           | 119-6988           | 2           | HYD Cylinder ASM      |
| 2           | 340-132            | 1           | Fitting-HYD, 90 DEG   |
| 2:1         | 237-78             | 1           | O-Ring                |
| 2:2         | 237-21             | 1           | O-Ring                |
| 3           | 340-92             | 2           | Fitting-HYD, Straight |
| 3:1         | 237-78             | 1           | O-Ring                |
| 3:2         | 237-21             | 1           | O-Ring                |
| 4           | 120-3782-01        | 1           | Bracket-Bulkhead, RH  |
| 5           | 110-0917-01        | 1           | Bracket-Bulkhead, LH  |
| 6           | 340-70             | 2           | Nut-Lock              |
| 7           | 120-3767           | 1           | HYD Tube ASM          |
| 7:1         | 237-21             | 1           | O-Ring                |
| 8           | 110-9018           | 1           | Tube-HYD              |
| 8:1         | 237-21             | 1           | O-Ring                |
| 9           | 322-4              | 4           | Screw-HH              |
| 10          | 104-8300           | 4           | Nut-Flange, NI        |
| 11          | 340-78             | 2           | Nut-Lock              |
| 12          | 110-0930           | 1           | Hose-HYD              |
| 13          | 110-8966           | 1           | Hose-HYD              |
| 14          | 110-0929           | 1           | Hose ASM              |

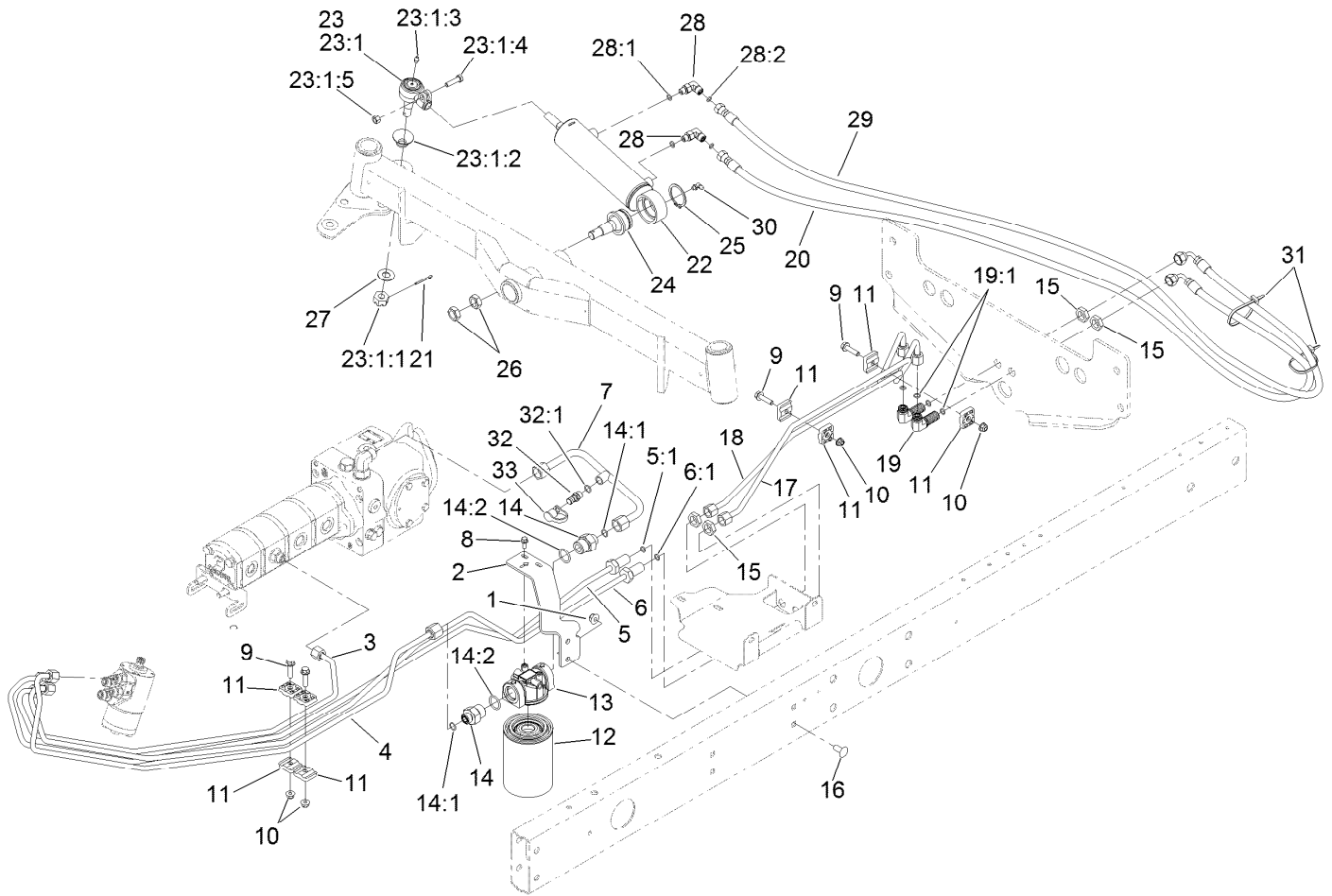
| <i>Ref.</i> | <i>Part Number</i> | <i>Qty.</i> | <i>Description</i>  |
|-------------|--------------------|-------------|---------------------|
| 15          | 110-0931           | 1           | Hose-HYD            |
| 16          | 3234-38            | 2           | Screw-HHF           |
| 17          | 3256-6             | 2           | Washer-Flat         |
| 18          | 117-0148           | 2           | Pin-Cylinder        |
| 19          | 104-0046           | 2           | Pin-Slide, Cylinder |
| 20          | 32120-93           | 4           | Ring-Retaining      |
| 21          | 3-6498             | 4           | Washer-Thrust       |
| 22          | 100-7695           | 1           | Adapter-HYD         |
| 22:1        | 237-78             | 1           | O-Ring              |
| 22:2        | 237-21             | 1           | O-Ring              |
| 23          | 323-9              | 2           | Screw-HH            |
| 24          | 3296-59            | 2           | Nut-Lock, NI        |
| 25          | 120-3766           | 1           | HYD Tube ASM        |
| 25:1        | 237-21             | 1           | O-Ring              |
| 25:2        | 237-22             | 1           | O-Ring              |
| 26          | 120-3771           | 1           | HYD Tube ASM        |
| 26:1        | 237-21             | 1           | O-Ring              |
| 26:2        | 237-22             | 1           | O-Ring              |
| 27          | 32144-57           | 2           | Screw               |
| 28          | 56-7973            | 4           | Clamp-Tube          |



## Steering Hydraulic Assembly

| Ref. | Part Number | Qty. | Description         | Ref.   | Part Number | Qty. | Description              |
|------|-------------|------|---------------------|--------|-------------|------|--------------------------|
| 1    | 104-8301    | 2    | Nut-Flange, NI      | 15     | 340-70      | 4    | Nut-Lock                 |
| 2    | 110-0906-01 | 1    | Support-Filter, Oil | 16     | 3231-27     | 2    | Screw-CARR               |
| 3    | 108-1710    | 1    | Tube ASM            | 17     | 110-9019    | 1    | Tube-HYD                 |
| 4    | 108-1711    | 1    | Tube-HYD            | 18     | 110-9020    | 1    | Tube-HYD                 |
| 5    | 108-1712    | 1    | Tube ASM            | 19     | 340-154     | 2    | Union-Bulkhead           |
| 5:1  | 237-22      | 1    | O-Ring              | 19:1   | 237-22      | 2    | O-Ring                   |
| 6    | 108-1713    | 1    | Tube ASM            | 20     | 110-0928    | 1    | Hose-HYD                 |
| 6:1  | 237-22      | 1    | O-Ring              | 21     | 3272-12     | 1    | Pin-Cotter               |
| 7    | 121-5601    | 1    | Tube-HYD            | 22     | 110-9035    | 1    | HYD Cylinder ASM         |
| 8    | 3234-33     | 2    | Screw-HHF           | 23     | 106-6895-03 | 1    | Ball Joint ASM           |
| 9    | 3234-36     | 4    | Screw-HHF           | 23:1   |             | 1    | Joint-Ball ●             |
| 10   | 104-8300    | 4    | Nut-Flange, NI      | 23:1:1 | 32136-13    | 1    | Nut-SHH                  |
| 11   | 56-7973     | 8    | Clamp-Tube          | 23:1:2 | 106-6896    | 1    | Seal                     |
| 12   | 86-3010     | 1    | Filter-Oil          | 23:1:3 | 302-5       | 1    | Fitting-Grease           |
| 13   | 117-5820    | 1    | Head-Filter         | 23:1:4 | 3210-7      | 1    | Screw-HH                 |
| 14   | 100-4240    | 2    | Fitting-Adapter     | 23:1:5 | 32152-5     | 1    | Nut-Hex                  |
| 14:1 | 237-30      | 1    | O-Ring              | 24     | 106-6774    | 1    | Joint-Ball               |
| 14:2 | 237-81      | 1    | O-Ring              | 25     | 32151-104   | 1    | Ring-Retaining, External |

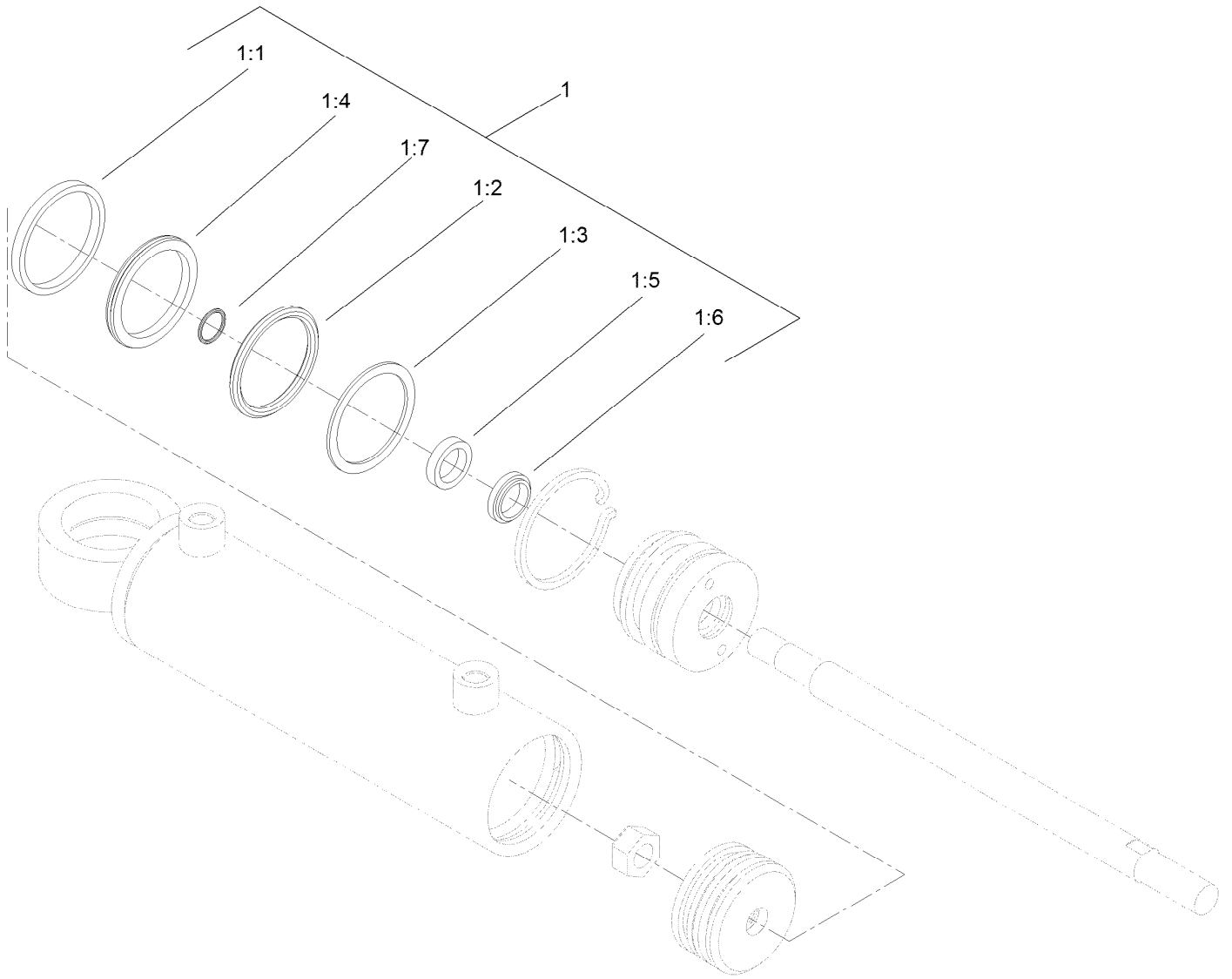
● Not serviced separately



## Steering Hydraulic Assembly (continued)

| <i>Ref.</i> | <i>Part Number</i> | <i>Qty.</i> | <i>Description</i>  | <i>Ref.</i> | <i>Part Number</i> | <i>Qty.</i> | <i>Description</i>     |
|-------------|--------------------|-------------|---------------------|-------------|--------------------|-------------|------------------------|
| 26          | 3220-6             | 2           | Nut-Jam             | 30          | 302-40             | 1           | Fitting-Grease, 90 DEG |
| 27          | 69-8980            | 1           | Washer              | 31          | 3290-378           | 2           | Tie-Cable              |
| 28          | 340-132            | 2           | Fitting-HYD, 90 DEG | 32          | 59-7410            | 1           | Fitting-Diagnostic     |
| 28:1        | 237-78             | 1           | O-Ring              | 32:1        | 237-42             | 1           | O-Ring                 |
| 28:2        | 237-21             | 1           | O-Ring              | 33          | 354-79             | 1           | Cap-Dust               |
| 29          | 110-0973           | 1           | Hose-HYD            |             |                    |             |                        |

● Not serviced separately

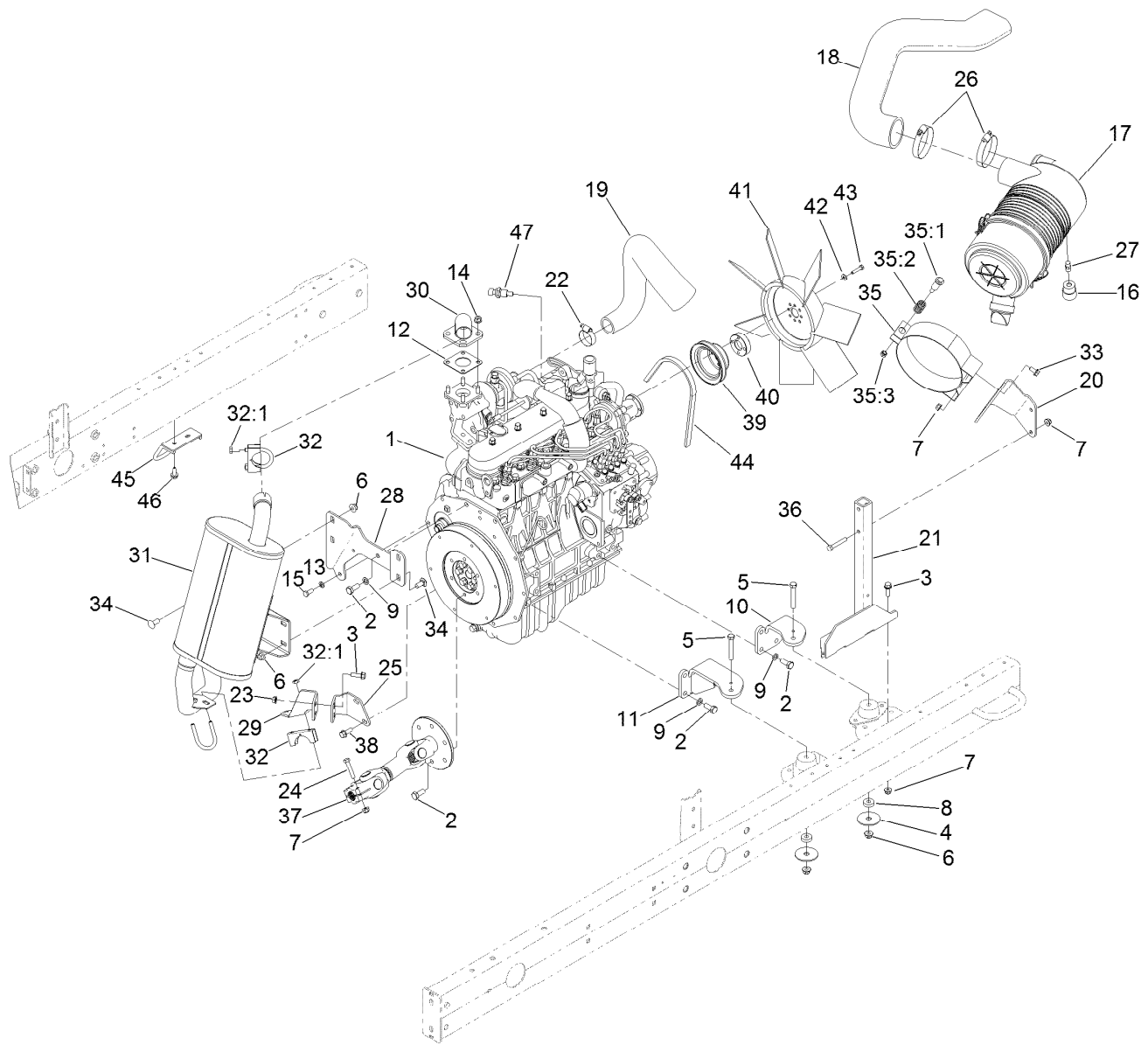


## Hydraulic Cylinder Assembly No. 110-9035

| <i>Ref.</i> | <i>Part Number</i> | <i>Qty.</i> | <i>Description</i> |
|-------------|--------------------|-------------|--------------------|
| 1           | 114-8875           | 1           | Seal Kit           |
| 1:1         |                    | 1           | Wear Ring ●        |
| 1:2         |                    | 1           | O-Ring ●           |
| 1:3         |                    | 1           | Backup ●           |
| 1:4         |                    | 1           | Bp Seal ●          |
| 1:5         |                    | 1           | Bs Seal ●          |
| 1:6         |                    | 1           | Dust Seal ●        |
| 1:7         |                    | 1           | O-Ring ●           |

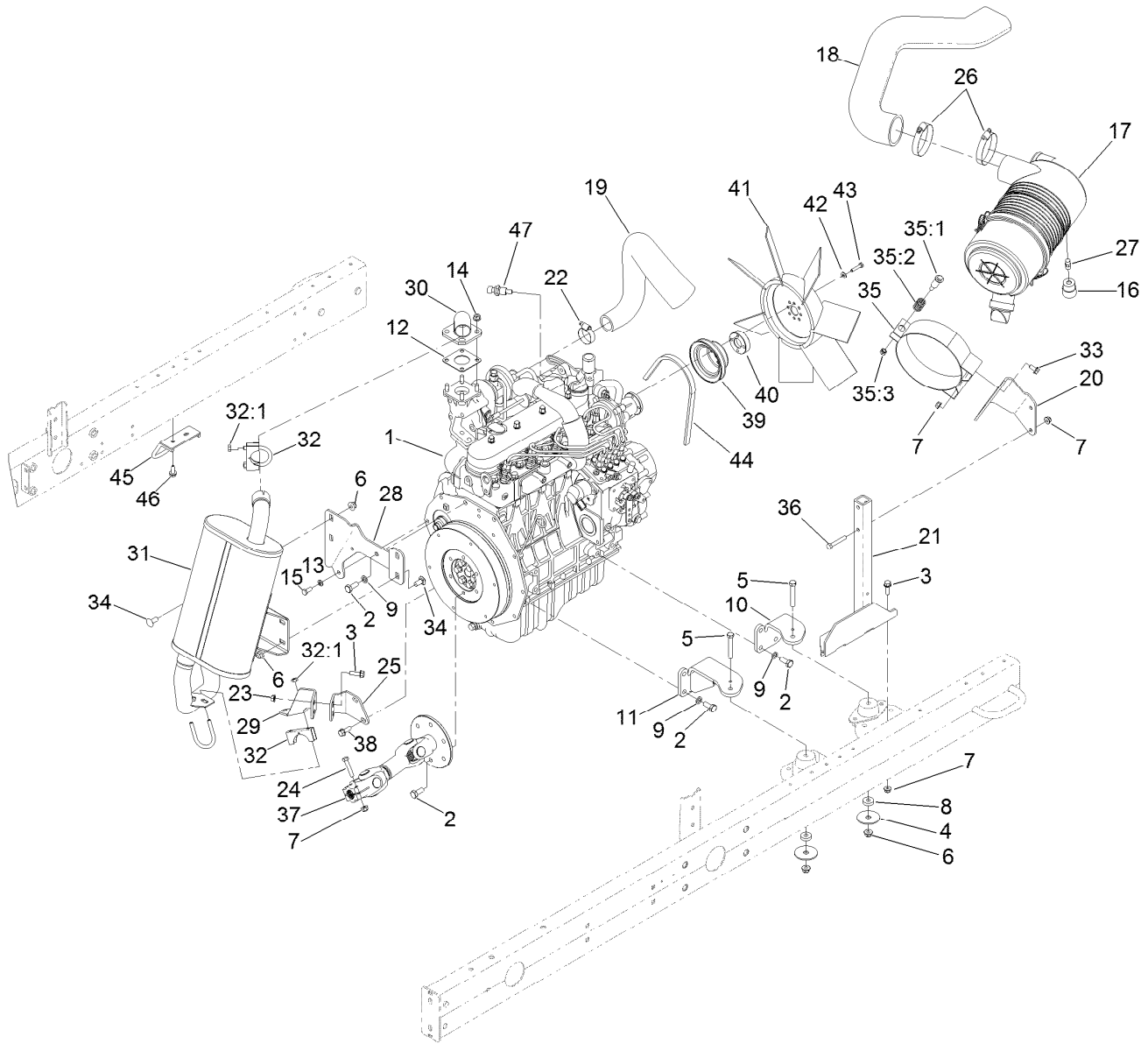
● Not serviced separately





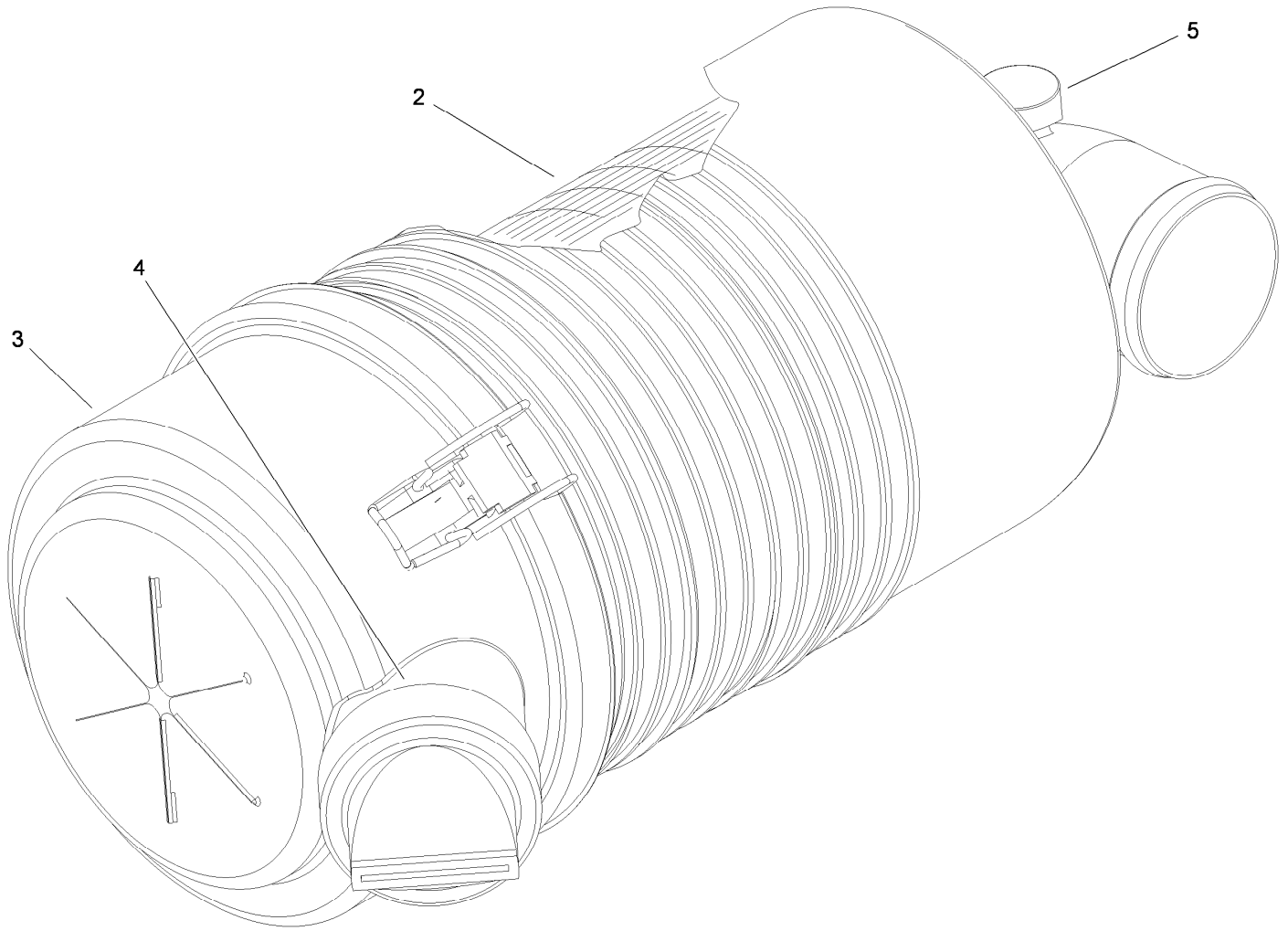
## Engine, Muffler and Air Cleaner Assembly

| Ref. | Part Number | Qty. | Description           | Ref. | Part Number | Qty. | Description              |
|------|-------------|------|-----------------------|------|-------------|------|--------------------------|
| 1    | 125-2169    | 1    | Engine-Kubota, V1505T | 22   | 2412-3      | 1    | Clamp-Hose               |
| 2    | 43-0090     | 19   | Screw-HH              | 23   | 32128-20    | 2    | Nut-HF                   |
| 3    | 3234-29     | 5    | Screw-HHF             | 24   | 322-9       | 2    | Screw-HH                 |
| 4    | 87-5100     | 4    | Washer-Snubbing       | 25   | 117-0286    | 1    | Bracket-Tailpipe         |
| 5    | 323-12      | 4    | Screw-HH              | 26   | 2412-125    | 2    | Clamp-Hose               |
| 6    | 104-8301    | 8    | Nut-Flange, NI        | 27   | 94-1416     | 1    | Adapter-Indicator        |
| 7    | 104-8300    | 9    | Nut-Flange, NI        | 28   | 108-1785-03 | 1    | Bracket-Support, Muffler |
| 8    | 62-6660     | 4    | Spacer                | 29   | 117-0288    | 1    | Bracket-Tailpipe         |
| 9    | 48-9590     | 13   | Washer-Lock           | 30   | 108-1783    | 1    | Header ASM               |
| 10   | 115-8066-03 | 2    | Mount-Engine          | 31   | 108-7643    | 1    | Muffler                  |
| 11   | 120-3812-03 | 2    | Mount-Engine          | 32   | 2112-9      | 2    | Clamp                    |
| 12   | 99-8343     | 1    | Gasket-Muffler        | 32:1 | 32128-20    | 2    | Nut-HF                   |
| 13   | 3253-4      | 2    | Washer-Lock           | 33   | 3234-14     | 2    | Screw-HHF                |
| 14   | 104-2612    | 4    | Nut-HF                | 34   | 3231-27     | 4    | Screw-CARR               |
| 15   | 33114-020   | 2    | Screw-HH              | 35   | 93-7486     | 1    | Clamp ASM                |
| 16   | 93-9164     | 1    | Indicator-Mini        | 35:1 | 94-3653     | 1    | Bolt                     |
| 17   | 110-8917    | 1    | Air Cleaner ASM       | 35:2 | 94-3654     | 1    | Spring                   |
| 18   | 110-8944    | 1    | Hose-Formed           | 35:3 | 48-9510     | 1    | Nut                      |
| 19   | 117-8061    | 1    | Hose-Turbo            | 36   | 322-10      | 2    | Screw-HH                 |
| 20   | 110-8981-03 | 1    | Bracket-Mounting      | 37   | 108-1641    | 1    | Driveshaft ASM           |
| 21   | 121-5611-03 | 1    | Stand-Air Cleaner     | 38   | 33104-025   | 2    | Screw-HHF                |



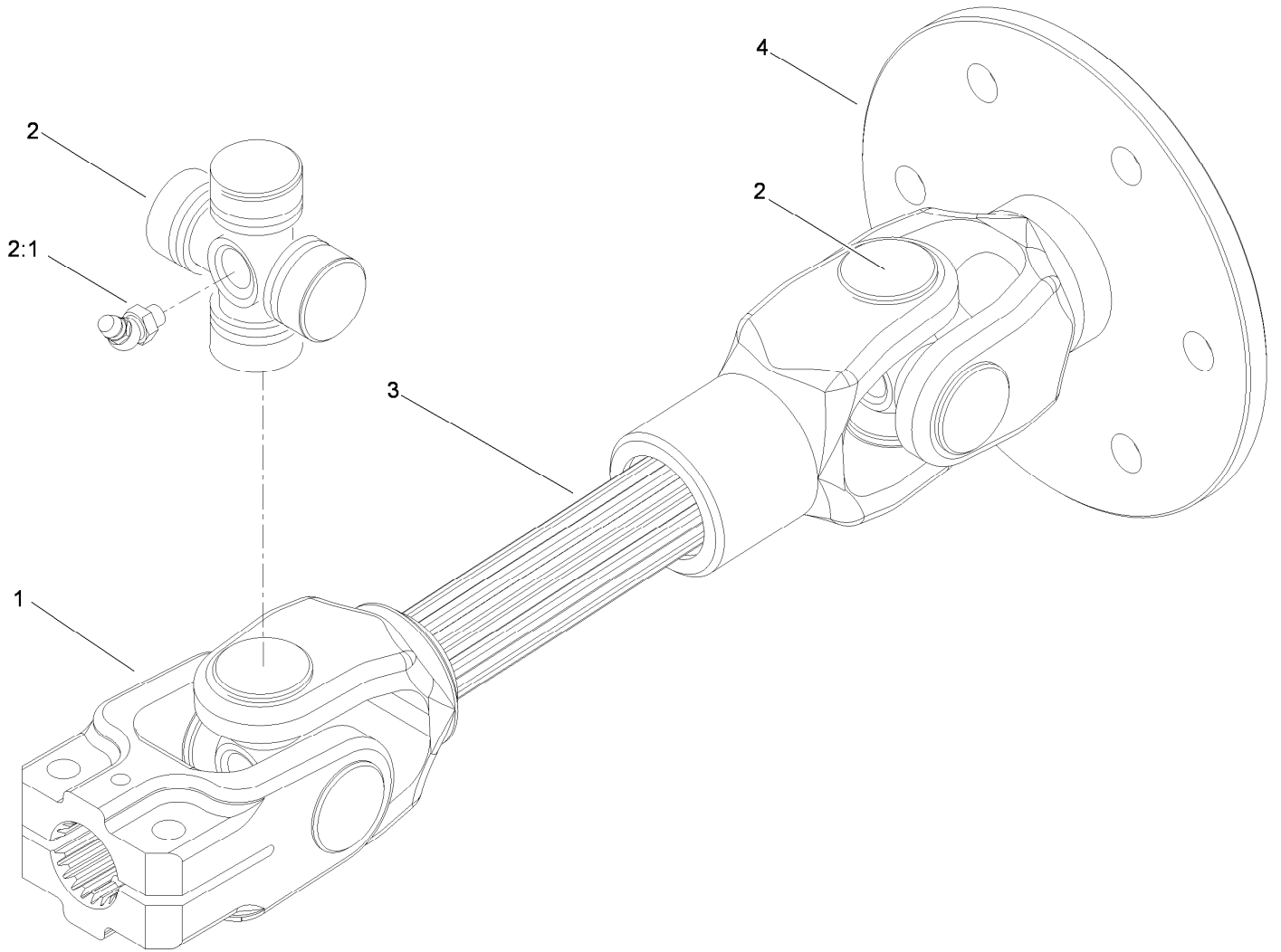
## Engine, Muffler and Air Cleaner Assembly (continued)

| <i>Ref.</i> | <i>Part Number</i> | <i>Qty.</i> | <i>Description</i> | <i>Ref.</i> | <i>Part Number</i> | <i>Qty.</i> | <i>Description</i> |
|-------------|--------------------|-------------|--------------------|-------------|--------------------|-------------|--------------------|
| 39          | 110-0972           | 1           | Pulley             | 44          | 98-9676            | 1           | V-Belt             |
| 40          | 105-0000           | 1           | Spacer-Fan         | 45          | 110-8999           | 1           | Guard-Muffler      |
| 41          | 110-8852           | 1           | Fan-Cooling        | 46          | 32104-32           | 2           | Screw-HWH          |
| 42          | 3256-22            | 4           | Washer-Flat        | 47          | 119-4478           | 1           | Sender-Temperature |
| 43          | 33113-030          | 4           | Screw-HH           |             |                    |             |                    |



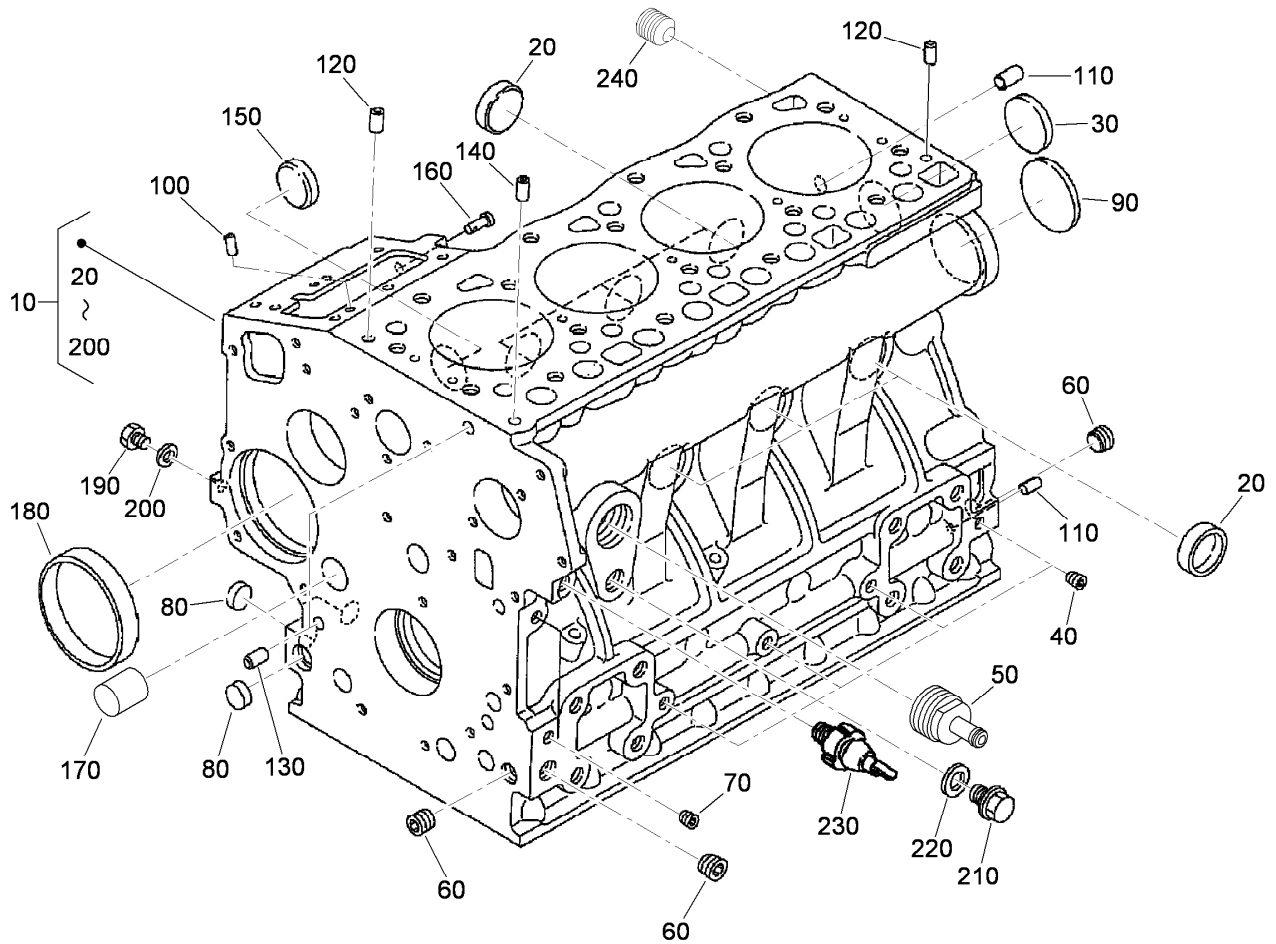
## Air Cleaner Assembly No. 110-8917

| <i>Ref.</i> | <i>Part Number</i> | <i>Qty.</i> | <i>Description</i> |
|-------------|--------------------|-------------|--------------------|
| 2           | 108-3812           | 1           | Filter-Air         |
| 3           | 93-5986            | 1           | Cover ASM          |
| 4           | 87-9400            | 1           | Valve-Vacuator     |
| 5           | 285-17             | 1           | Plug-Pipe          |



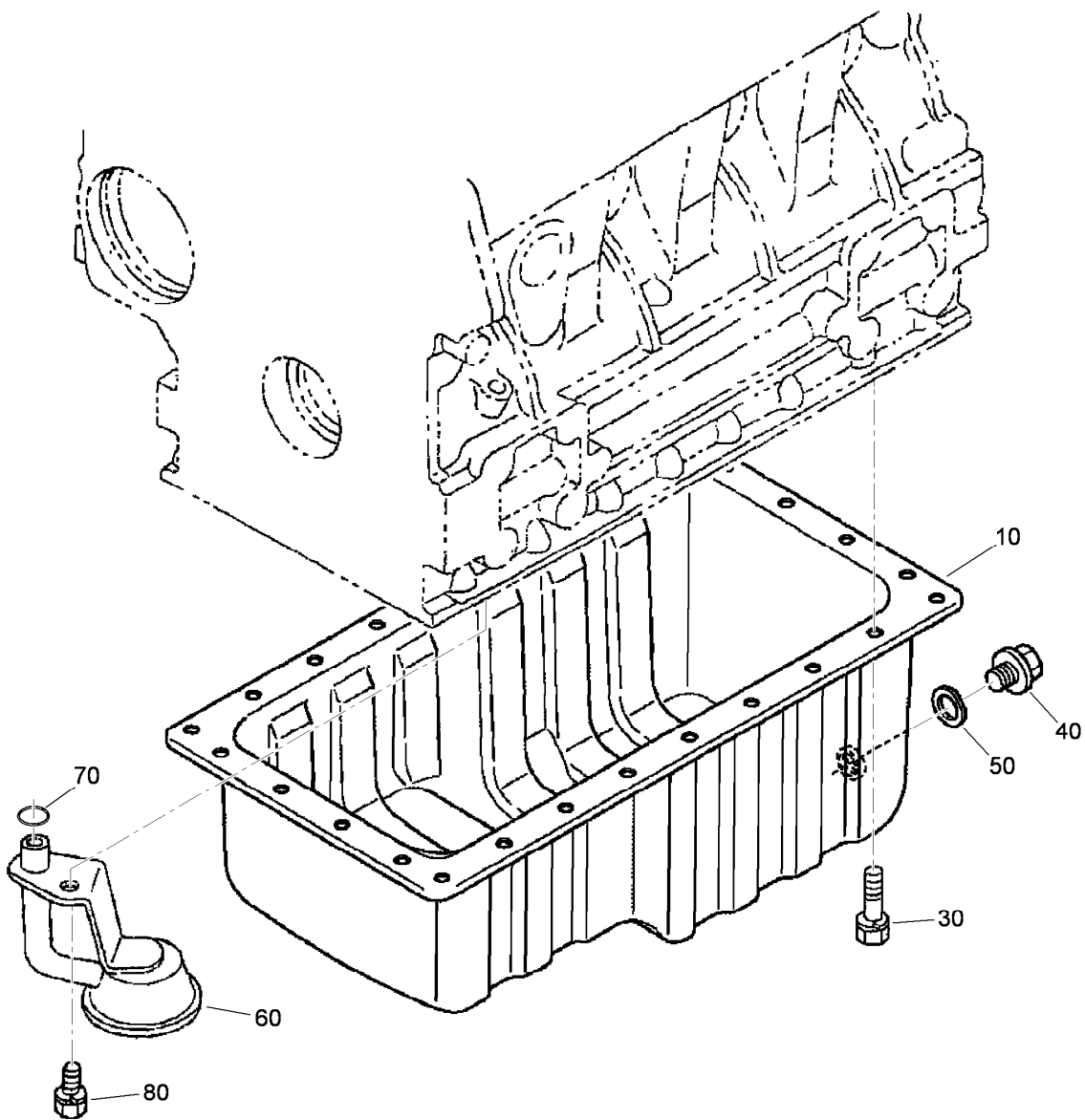
## Driveshaft Assembly No. 108-1641

| <i>Ref.</i> | <i>Part Number</i> | <i>Qty.</i> | <i>Description</i>  |
|-------------|--------------------|-------------|---------------------|
| 1           | 54-9040            | 1           | Yoke-End            |
| 2           | 54-9180            | 2           | U-Joint Kit         |
| 2:1         | 62-3820            | 1           | Fitting-Grease      |
| 3           | 108-4574           | 1           | Joint And Shaft ASM |
| 4           | 108-4575           | 1           | Joint And Yoke ASM  |



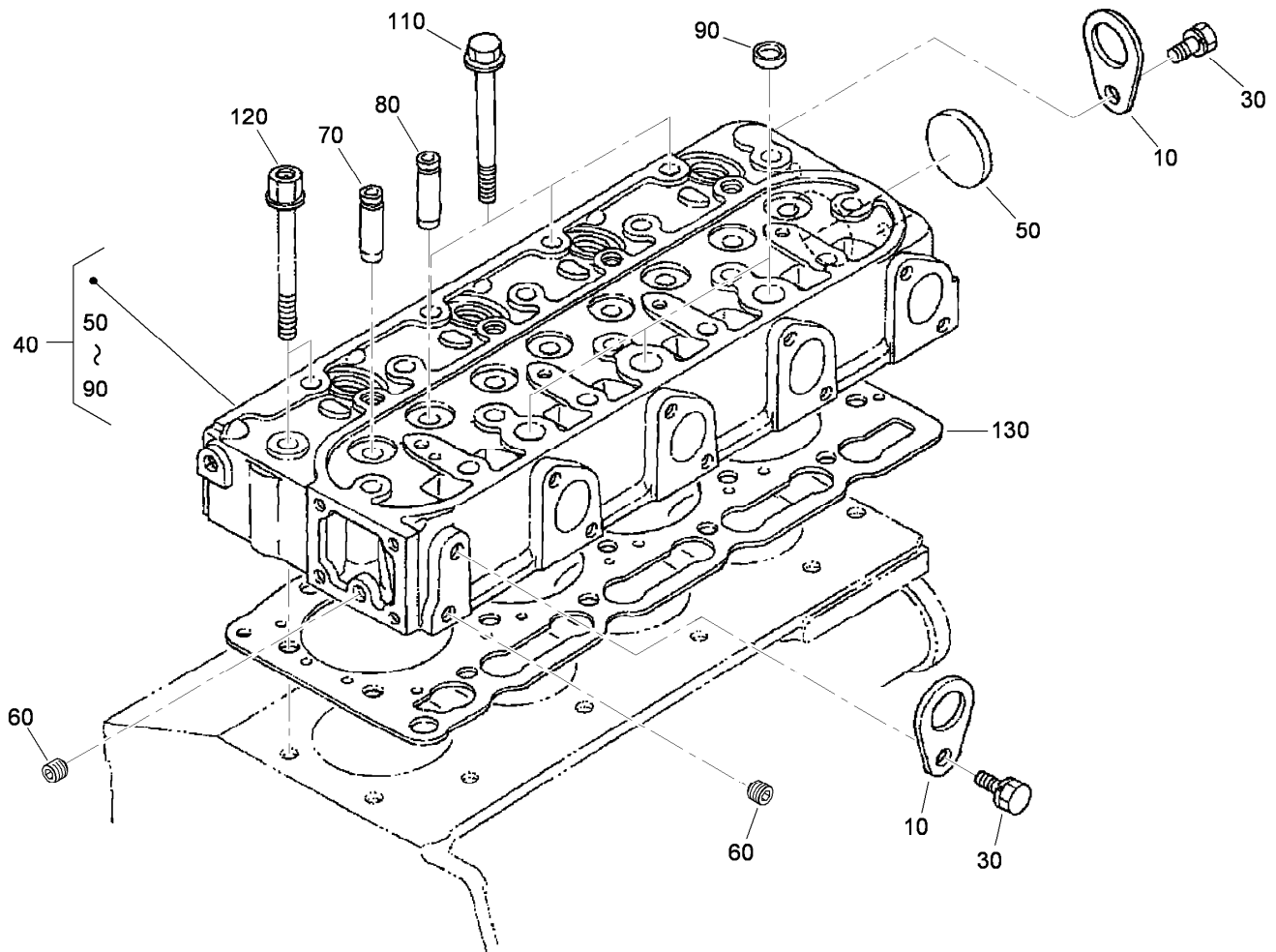
## Crankcase Assembly

| <i>Ref.</i> | <i>Part Number</i> | <i>Qty.</i> | <i>Description</i>     |
|-------------|--------------------|-------------|------------------------|
| 10          | 115-4115           | 1           | Crankcase ASM          |
| 20          | 98-9398            | 6           | Cap-Sealing            |
| 30          | 98-7539            | 1           | Cap-Sealing            |
| 40          | 98-7540            | 4           | Plug                   |
| 50          | 99-8347            | 1           | Joint-Pipe, Drain      |
| 60          | 98-9597            | 3           | Plug                   |
| 70          | 98-7487            | 2           | Plug                   |
| 80          | 98-9379            | 3           | Plug-Expansion         |
| 90          | 98-9668            | 1           | Plug-Expansion         |
| 100         | 98-9375            | 1           | Pin-Straight           |
| 110         | 98-9377            | 1           | Pin-Straight           |
| 120         | 98-9376            | 2           | Pin-Straight           |
| 130         | 98-9387            | 2           | Pin-Pipe               |
| 140         | 98-9539            | 1           | Pin-Pipe               |
| 150         | 98-9599            | 1           | Plug                   |
| 160         | 105-3796           | 1           | Pin-Spring, Start      |
| 170         | 98-9675            | 1           | Plug                   |
| 180         | 98-9656            | 1           | Bushing-Governor, Gear |
| 190         | 98-7507            | 1           | Plug                   |
| 200         | 98-7428            | 1           | Gasket                 |
| 210         | 99-3447            | 1           | Plug                   |
| 220         | 106-7056           | 1           | Gasket                 |
| 230         | 98-9416            | 1           | Switch-Oil             |
| 240         | 98-9444            | 1           | Plug                   |



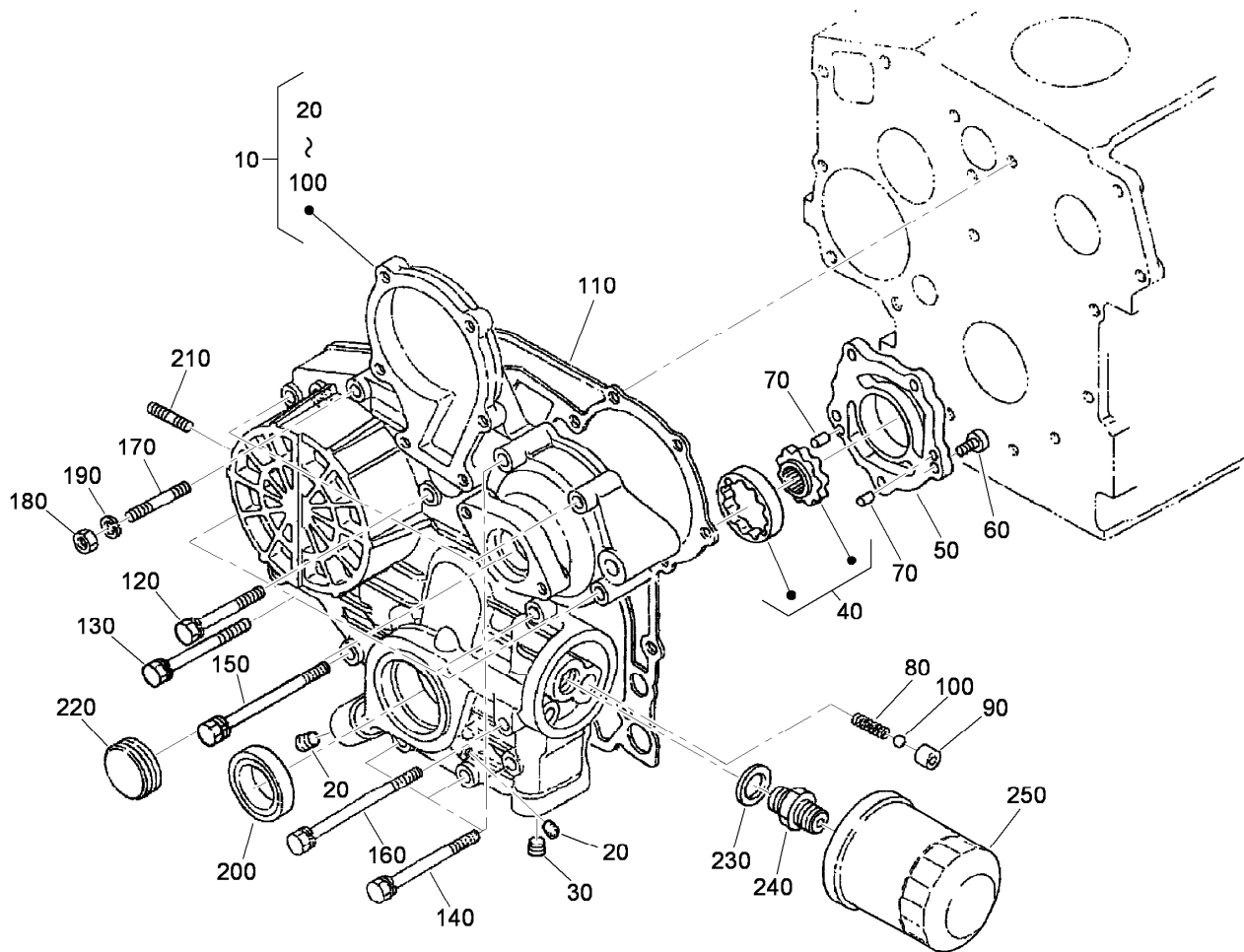
## Oil Pan Assembly

| <i>Ref.</i> | <i>Part Number</i> | <i>Qty.</i> | <i>Description</i> |
|-------------|--------------------|-------------|--------------------|
| 10          | 112-0186           | 1           | Oil Pan ASM        |
| 30          | 98-9351            | 26          | Bolt               |
| 40          | 114-8151           | 1           | Plug-Drain         |
| 50          | 98-7524            | 1           | Gasket             |
| 60          | 112-7003           | 1           | Head-Filter, Oil   |
| 70          | 105-3776           | 1           | O-Ring             |
| 80          | 98-7526            | 1           | Bolt               |



## Cylinder Head Assembly

| <i>Ref.</i> | <i>Part Number</i> | <i>Qty.</i> | <i>Description</i>    |
|-------------|--------------------|-------------|-----------------------|
| 10          | 98-7531            | 2           | Hook-Engine           |
| 30          | 100-9195           | 2           | Bolt                  |
| 40          | 108-2854           | 1           | Cylinder Head ASM     |
| 50          | 105-3705           | 1           | Cap-Sealing           |
| 60          | 98-7540            | 2           | Plug                  |
| 70          | 107-9066           | 4           | Guide-Valve, Inlet    |
| 80          | 107-9067           | 4           | Guide-Valve, Exhaust  |
| 90          | 98-9389            | 3           | Cap-Sealing           |
| 110         | 98-9479            | 16          | Bolt-Head, Cylinder   |
| 120         | 98-9647            | 2           | Bolt-Head, Cylinder   |
| 130         | 108-2855           | 1           | Gasket-Head, Cylinder |

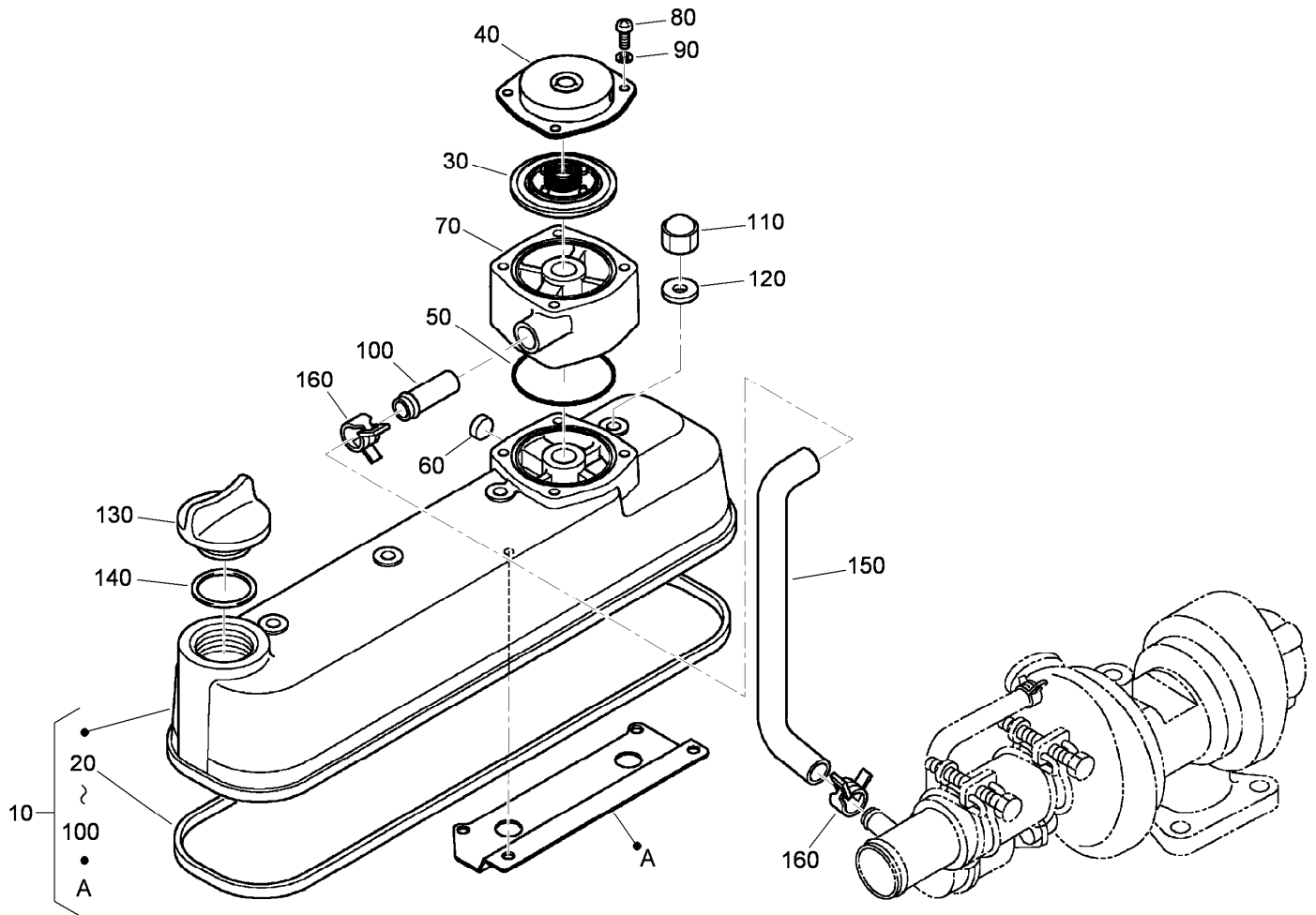


## Gear Case Assembly

| <i>Ref.</i> | <i>Part Number</i> | <i>Qty.</i> | <i>Description</i> |
|-------------|--------------------|-------------|--------------------|
| 10          | 115-4111           | 1           | Gear Case ASM      |
| 20          | 98-9598            | 5           | Plug               |
| 30          | 98-7487            | 1           | Plug               |
| 40          | 98-9540            | 1           | Oil Pump Rotor ASM |
| 50          | 107-9069           | 1           | Cover-Pump, Oil    |
| 60          | 107-9071           | 1           | Screw              |
| 70          | 107-9072           | 1           | Pin-Straight       |
| 80          | 98-9544            | 1           | Spring             |
| 90          | 98-9543            | 1           | Seat-Valve         |
| 100         | 98-9380            | 1           | Ball               |
| 110         | 98-9633            | 1           | Gasket-Case, Gear  |
| 120         | 98-7496            | 3           | Bolt               |
| 130         | 105-3797           | 4           | Bolt               |

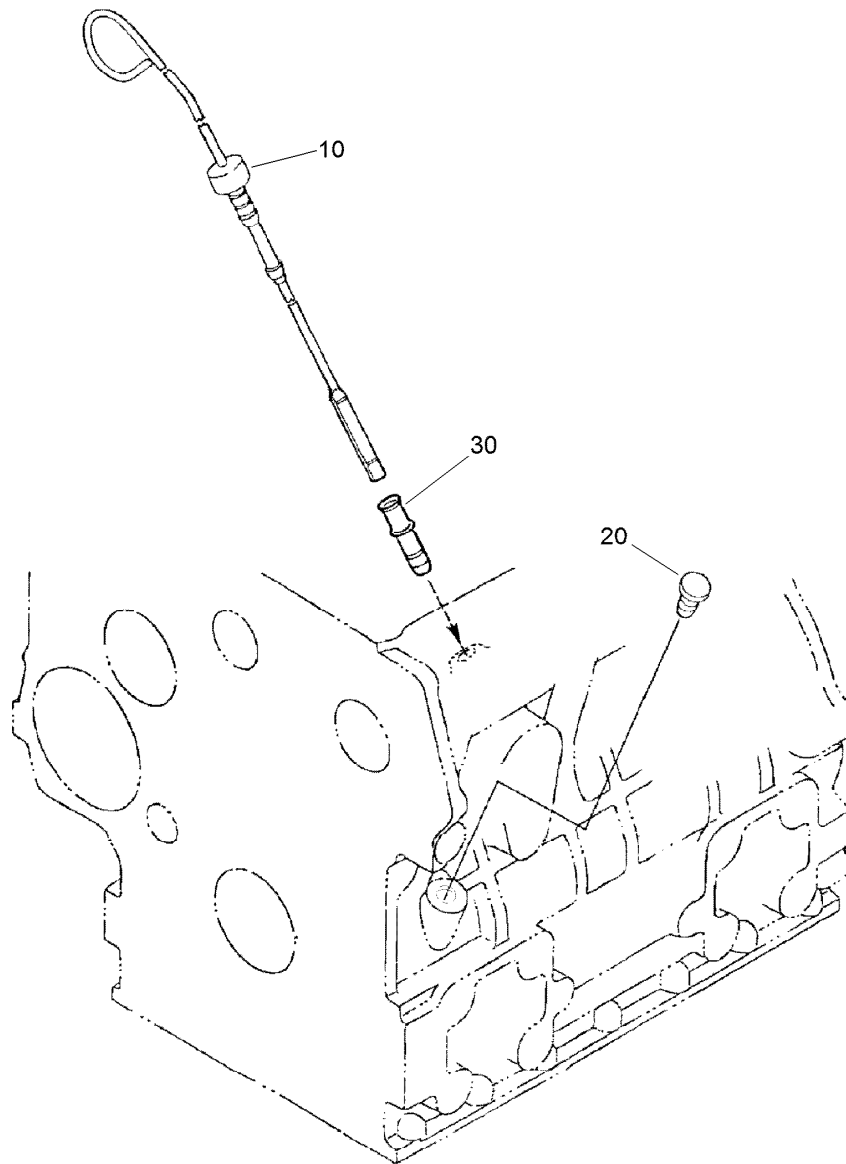
| <i>Ref.</i> | <i>Part Number</i> | <i>Qty.</i> | <i>Description</i> |
|-------------|--------------------|-------------|--------------------|
| 140         | 98-9356            | 2           | Bolt               |
| 150         | 107-9074           | 1           | Bolt               |
| 160         | 98-9586            | 1           | Bolt               |
| 170         | 105-3709           | 1           | Stud               |
| 180         | 98-7572            | 1           | Nut                |
| 190         | 98-7699            | 1           | Washer-Spring      |
| 200         | 98-9482            | 1           | Seal-Oil           |
| 210         | 105-3710           | 2           | Stud               |
| 220         | 98-9641            | 1           | Cover-Case, Gear   |
| 230         | 98-9727            | 1           | Collar             |
| 240         | 104-5159           | 1           | Holder ASM         |
| 250         | 108-3841           | 1           | Filter-Oil         |





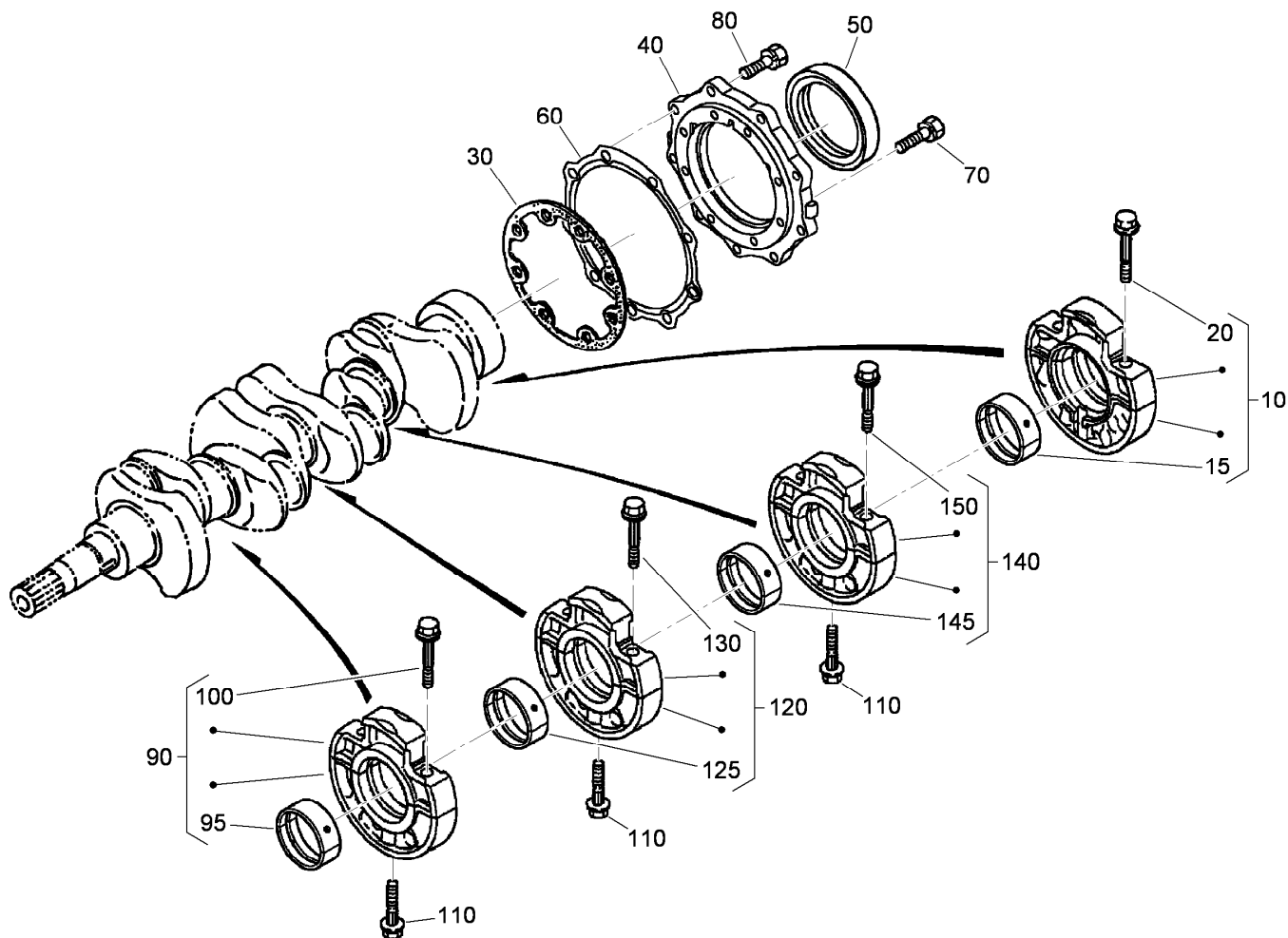
## Cylinder Head Cover Assembly

| <i>Ref.</i> | <i>Part Number</i> | <i>Qty.</i> | <i>Description</i>      |
|-------------|--------------------|-------------|-------------------------|
| 10          | 115-3041           | 1           | Cylinder Head Cover ASM |
| 20          | 105-3712           | 1           | Gasket-Cover, Head      |
| 30          | 110-3715           | 1           | Valve-Breather          |
| 40          | 110-3714           | 1           | Cover-Breather          |
| 50          | 110-3846           | 1           | O Ring-Breather         |
| 60          | 115-3042           | 1           | Cap-Sealing             |
| 70          | 115-3043           | 1           | Spacer-Breather         |
| 80          | 115-3044           | 4           | Screw-Pan Head          |
| 90          | 100-2204           | 4           | Washer-Spring           |
| 100         | 98-7766            | 1           | Pipe-Return, Water      |
| 110         | 98-9455            | 4           | Nut-Cap                 |
| 120         | 98-9454            | 4           | Gasket                  |
| 130         | 107-9075           | 1           | Plug-Filler, Oil        |
| 140         | 99-3446            | 1           | O-Ring                  |
| 150         | 115-4119           | 1           | Tube-Breather, Turbo    |
| 160         | 108-2859           | 2           | Clamp-Hose              |



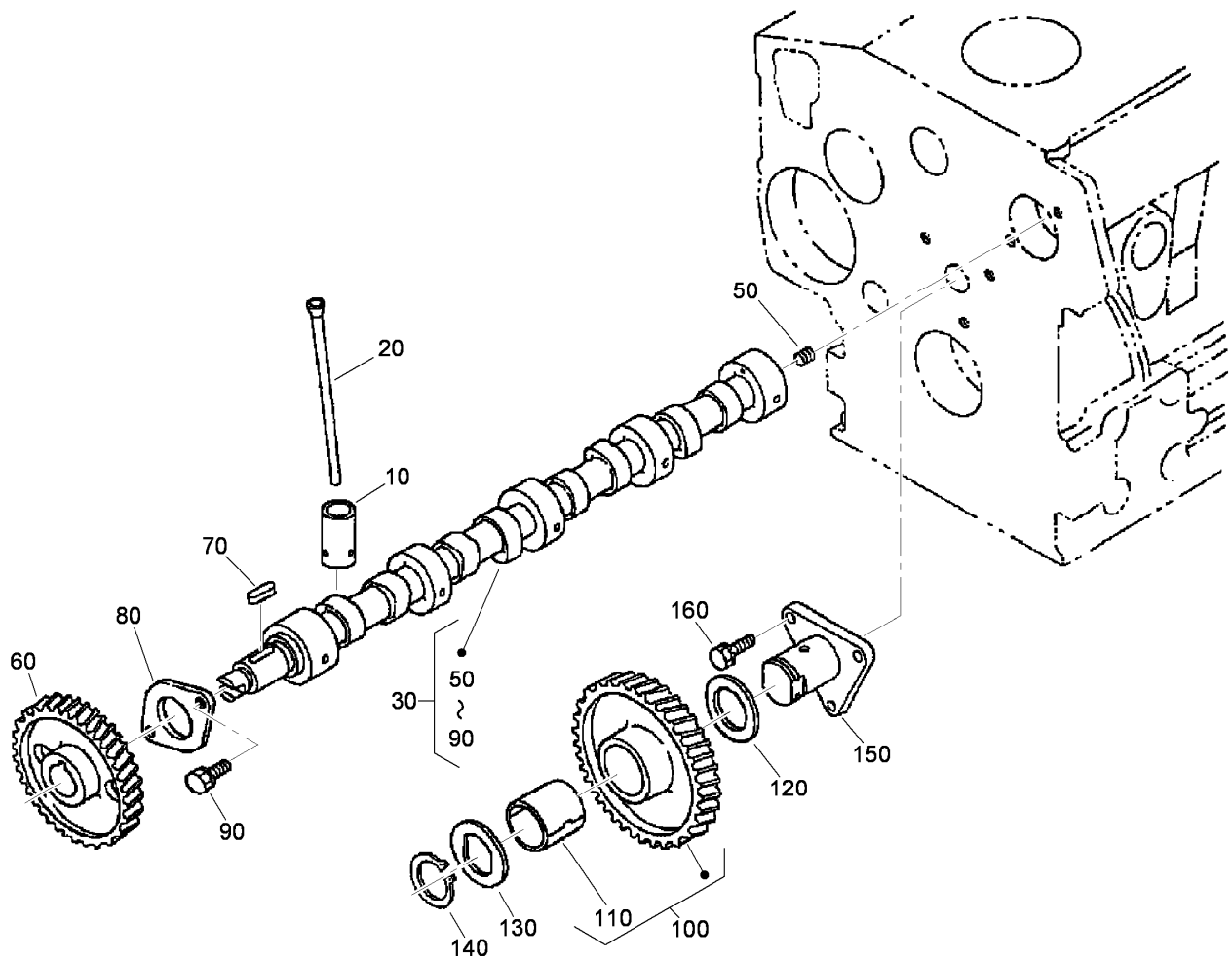
## Dipstick and Guide Assembly

| <i>Ref.</i> | <i>Part Number</i> | <i>Qty.</i> | <i>Description</i> |
|-------------|--------------------|-------------|--------------------|
| 10          | 105-3714           | 1           | Gauge-Oil          |
| 20          | 110-3720           | 1           | Plug-Gauge, Oil    |
| 30          | 105-4580           | 1           | Guide-Gauge, Oil   |



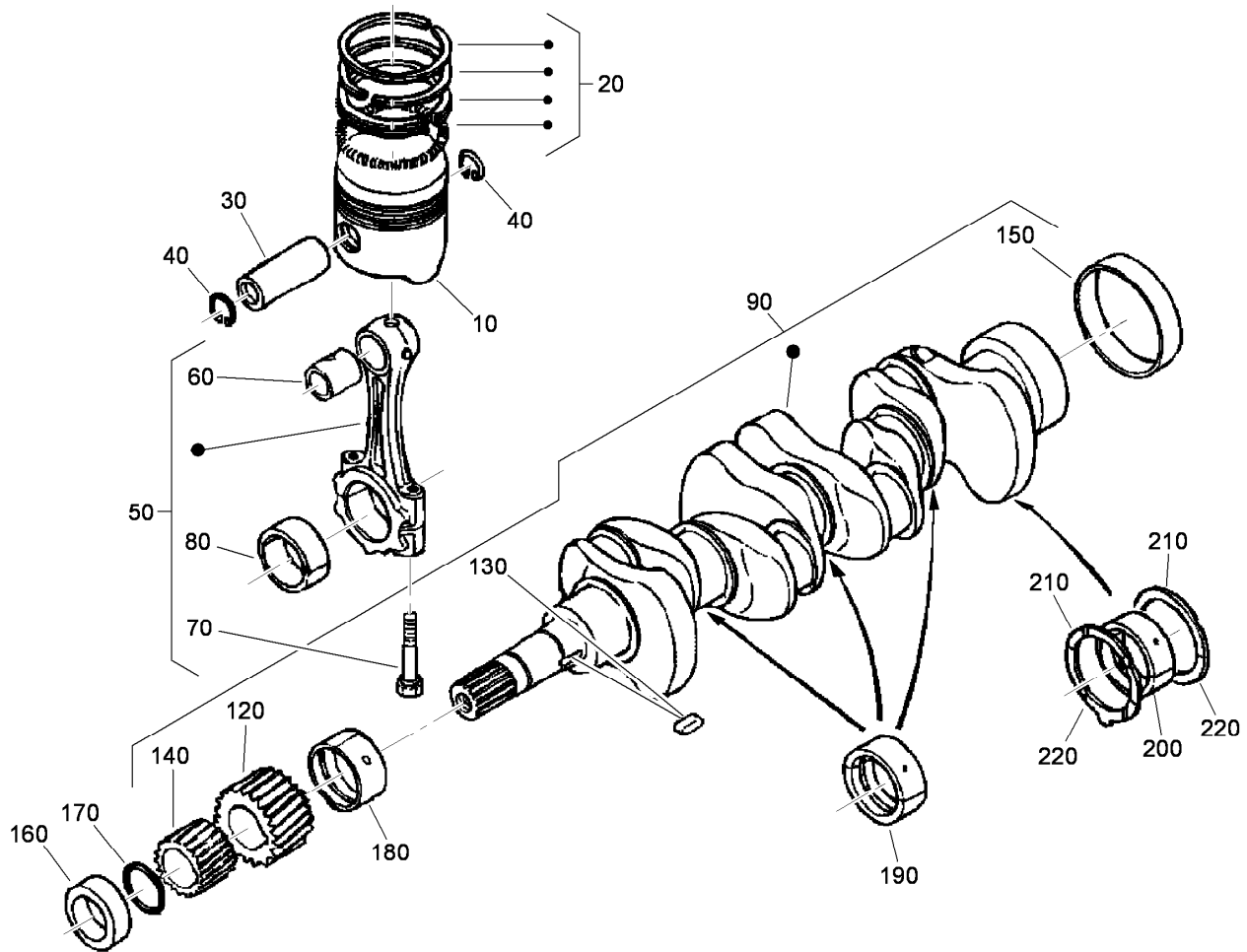
## Main Bearing Case Assembly

| <i>Ref.</i> | <i>Part Number</i> | <i>Qty.</i> | <i>Description</i>     |
|-------------|--------------------|-------------|------------------------|
| 10          | 112-7026           | 1           | Wheel Bearing Case ASM |
| 15          | 112-7045           | 1           | Metal-Crankshaft       |
| 20          | 98-9484            | 2           | Bolt-Case, Bearing     |
| 30          | 98-9634            | 1           | Gasket-Case, Bearing   |
| 40          | 112-7046           | 1           | Cover-Case, Bearing    |
| 50          | 112-0180           | 1           | Seal-Oil               |
| 60          | 112-7037           | 1           | Gasket-Cover, Case     |
| 70          | 98-9352            | 8           | Bolt                   |
| 80          | 98-7568            | 9           | Bolt                   |
| 90          | 112-7028           | 1           | Bearing ASM            |
| 95          | 112-7011           | 1           | Bearing-Main (STD)     |
| 100         | 98-9484            | 2           | Bolt-Case, Bearing     |
| 110         | 98-9485            | 3           | Bolt-Case, Bearing     |
| 120         | 112-7027           | 1           | Bearing ASM            |
| 125         | 112-7011           | 1           | Bearing-Main (STD)     |
| 130         | 98-9484            | 2           | Bolt-Case, Bearing     |
| 140         | 115-4120           | 1           | Bearing Case ASM       |
| 145         | 112-7011           | 1           | Bearing-Main (STD)     |
| 150         | 98-9484            | 2           | Bolt-Case, Bearing     |



## Cam Shaft and Idle Gear Shaft Assembly

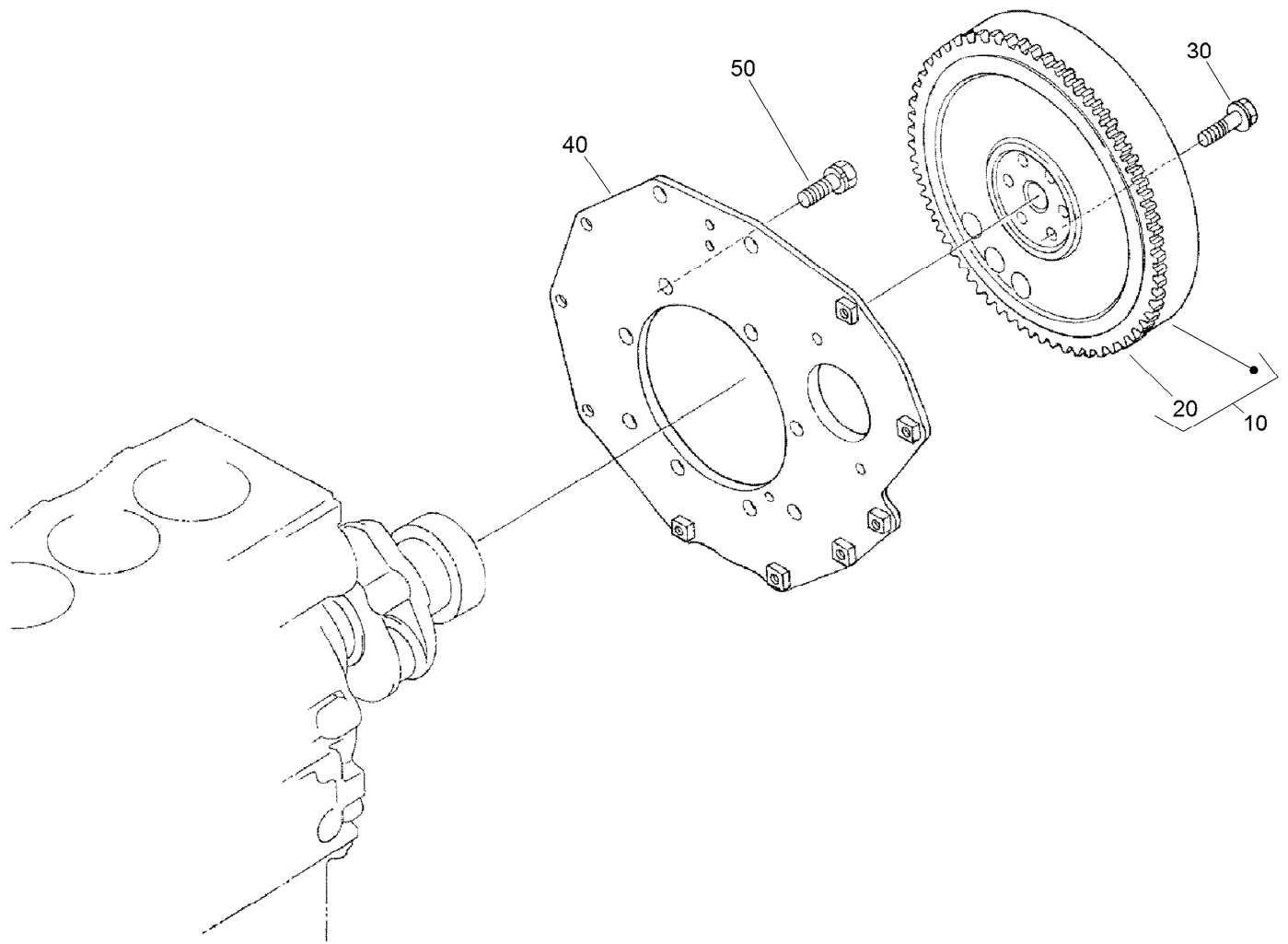
| <i>Ref.</i> | <i>Part Number</i> | <i>Qty.</i> | <i>Description</i> |
|-------------|--------------------|-------------|--------------------|
| 10          | 112-0185           | 8           | Tappet             |
| 20          | 98-9509            | 8           | Rod-Push           |
| 30          | 112-8402           | 1           | Camshaft ASM       |
| 50          | 98-7449            | 1           | Screw-Set          |
| 60          | 98-9512            | 1           | Gear-Cam           |
| 70          | 98-9378            | 1           | Key-Feather        |
| 80          | 98-9510            | 1           | Stopper-Camshaft   |
| 90          | 98-7692            | 2           | Bolt               |
| 100         | 98-9649            | 1           | Idle Gear ASM      |
| 110         | 98-9650            | 1           | Bushing-Gear, Idle |
| 120         | 98-9535            | 1           | Collar-Gear, Idle  |
| 130         | 98-9536            | 1           | Collar-Gear, Idle  |
| 140         | 98-9534            | 1           | Circlip-Gear, Idle |
| 150         | 98-9533            | 1           | Shaft-Gear, Idle   |
| 160         | 98-7692            | 3           | Bolt               |



## Piston and Crankshaft Assembly

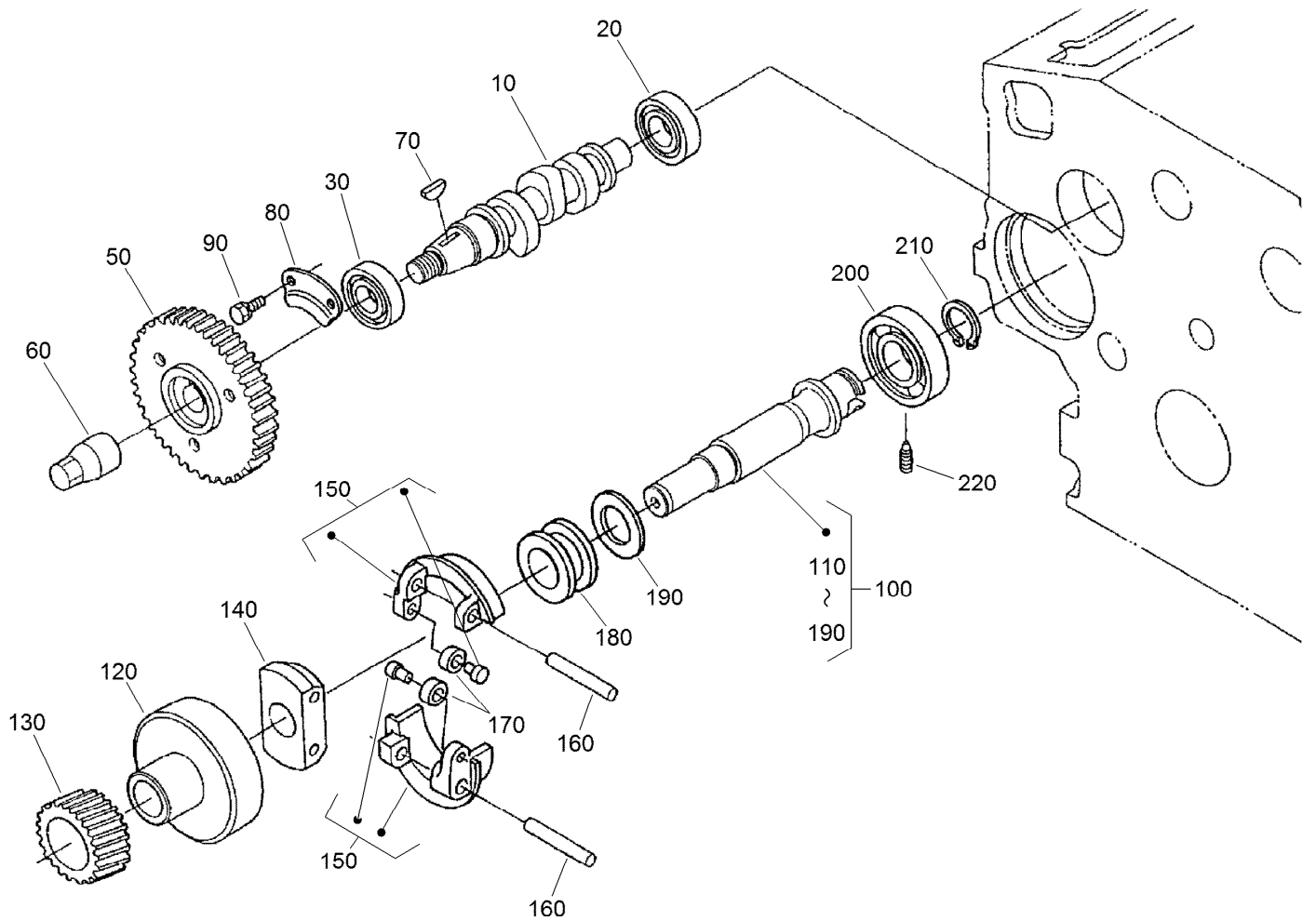
| <i>Ref.</i> | <i>Part Number</i> | <i>Qty.</i> | <i>Description</i>      |
|-------------|--------------------|-------------|-------------------------|
| 10          | 98-9550            | 4           | Piston (STD)            |
| 10          | 108-1417           | 4           | Piston (0.5Mm)          |
| 20          | 98-9551            | 4           | Piston Ring ASM (STD)   |
| 20          | 108-1404           | 4           | Piston Ring ASM (0.5Mm) |
| 30          | 98-9513            | 4           | Pin-Piston              |
| 40          | 98-9514            | 8           | Circlip-Pin, Piston     |
| 50          | 98-9552            | 4           | Connecting Rod ASM      |
| 60          | 115-3014           | 4           | Bushing-Pin, Piston     |
| 70          | 98-9517            | 8           | Bolt-Rod, Connecting    |
| 80          | 98-9553            | 4           | Bearing-Rod (STD)       |
| 80          | 108-1405           | 4           | Metal-Crankpin (-0.2Mm) |
| 80          | 108-1406           | 4           | Metal-Crankpin (-0.4Mm) |
| 90          | 105-3718           | 1           | Crankshaft ASM          |
| 120         | 98-9532            | 1           | Gear-Crankshaft         |
| 130         | 98-9666            | 1           | Key                     |
| 140         | 98-9542            | 1           | Gear-Drive, Oil Pump    |
| 150         | 98-9522            | 1           | Sleeve-Crankshaft       |

| <i>Ref.</i> | <i>Part Number</i> | <i>Qty.</i> | <i>Description</i>        |
|-------------|--------------------|-------------|---------------------------|
| 160         | 98-9521            | 1           | Collar-Crankshaft         |
| 170         | 105-3783           | 1           | O-Ring                    |
| 180         | 112-7005           | 1           | Bearing-Main (STD)        |
| 180         | 112-7009           | 1           | Metal-Crankpin (-0.2Mm)   |
| 180         | 112-7010           | 1           | Metal-Crankpin (-0.4Mm)   |
| 190         | 112-7011           | 3           | Bearing-Main (STD)        |
| 190         | 112-7012           | 3           | Metal-Crankpin (-0.2Mm)   |
| 190         | 112-7013           | 3           | Metal-Crankpin (-0.4Mm)   |
| 200         | 112-7006           | 1           | Bearing-Main (STD)        |
| 200         | 112-7007           | 1           | Metal-Crankshaft (.2Mm)   |
| 200         | 112-7040           | 1           | Metal-Crankshaft (-0.4Mm) |
| 210         | 98-9413            | 2           | Bearing-Thrust (STD)      |
| 210         | 98-9414            | 2           | Bearing-Thrust (0.2Mm)    |
| 210         | 98-9415            | 2           | Bearing-Thrust (0.4Mm)    |
| 220         | 98-9688            | 2           | Bearing-Thrust (STD)      |
| 220         | 98-9689            | 2           | Bearing-Thrust (0.2Mm)    |
| 220         | 98-9690            | 2           | Bearing-Thrust (0.4Mm)    |



## Flywheel Assembly

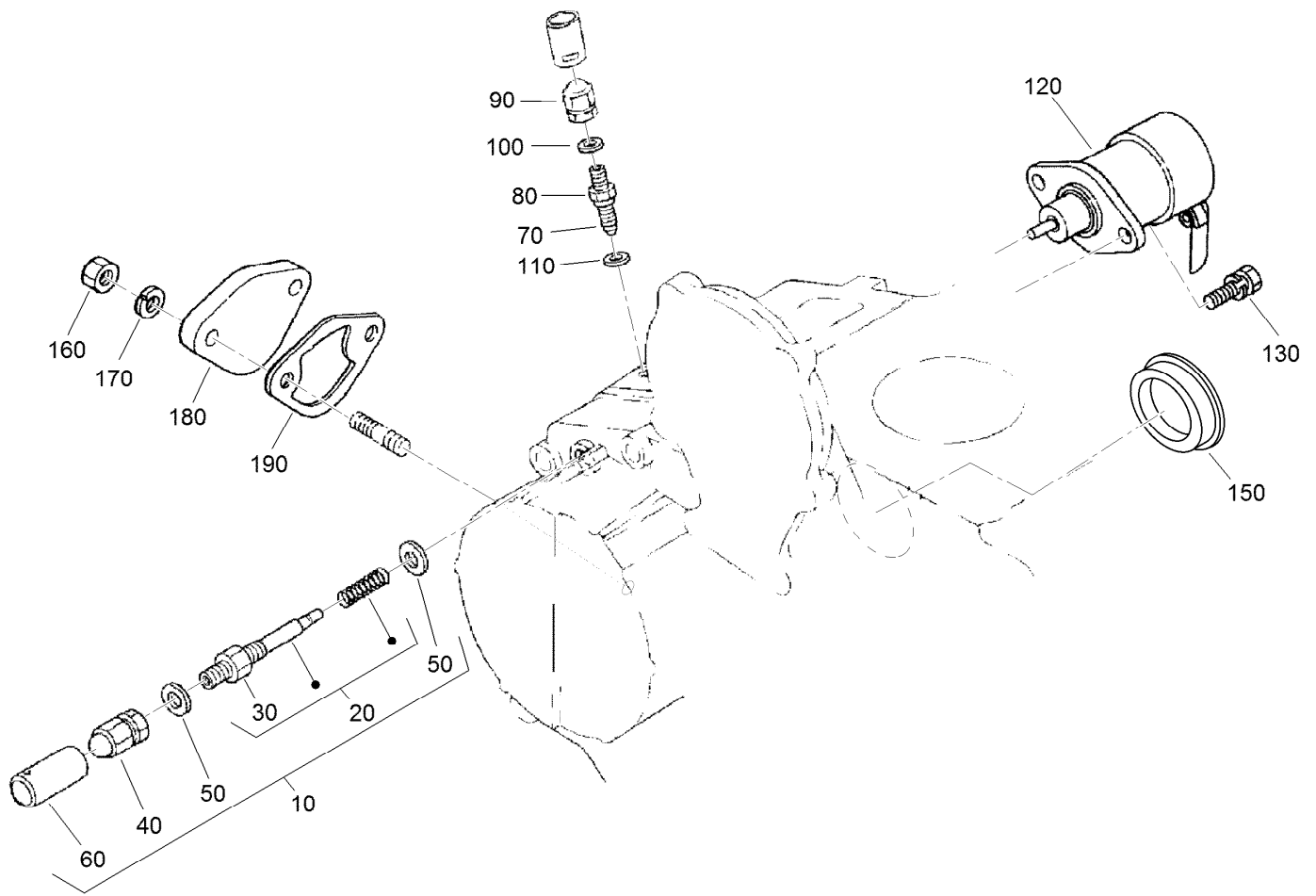
| <i>Ref.</i> | <i>Part Number</i> | <i>Qty.</i> | <i>Description</i> |
|-------------|--------------------|-------------|--------------------|
| 10          | 105-3721           | 1           | Flywheel ASM       |
| 20          | 115-3015           | 1           | Gear-Ring          |
| 30          | 98-9537            | 6           | Bolt-Flywheel      |
| 40          | 98-9486            | 1           | Plate-End, Rear    |
| 50          | 98-9392            | 8           | Bolt               |



## Fuel Camshaft and Governor Shaft Assembly

| Ref. | Part Number | Qty. | Description            |
|------|-------------|------|------------------------|
| 10   | 105-3723    | 1    | Camshaft-Fuel          |
| 20   | 107-9077    | 1    | Bearing-Ball           |
| 30   | 107-9078    | 1    | Bearing-Ball           |
| 50   | 98-9669     | 1    | Gear-Pump, Injection   |
| 60   | 98-9590     | 1    | Nut-Cap                |
| 70   | 98-9595     | 1    | Key-Woodruff           |
| 80   | 98-9511     | 1    | Stopper-Fuel, Camshaft |
| 90   | 98-7692     | 2    | Bolt                   |
| 100  | 105-3724    | 1    | Governor Shaft ASM     |
| 110  | 105-3725    | 1    | Shaft, Governor        |
| 120  | 98-9562     | 1    | Holder-Gear, Governor  |

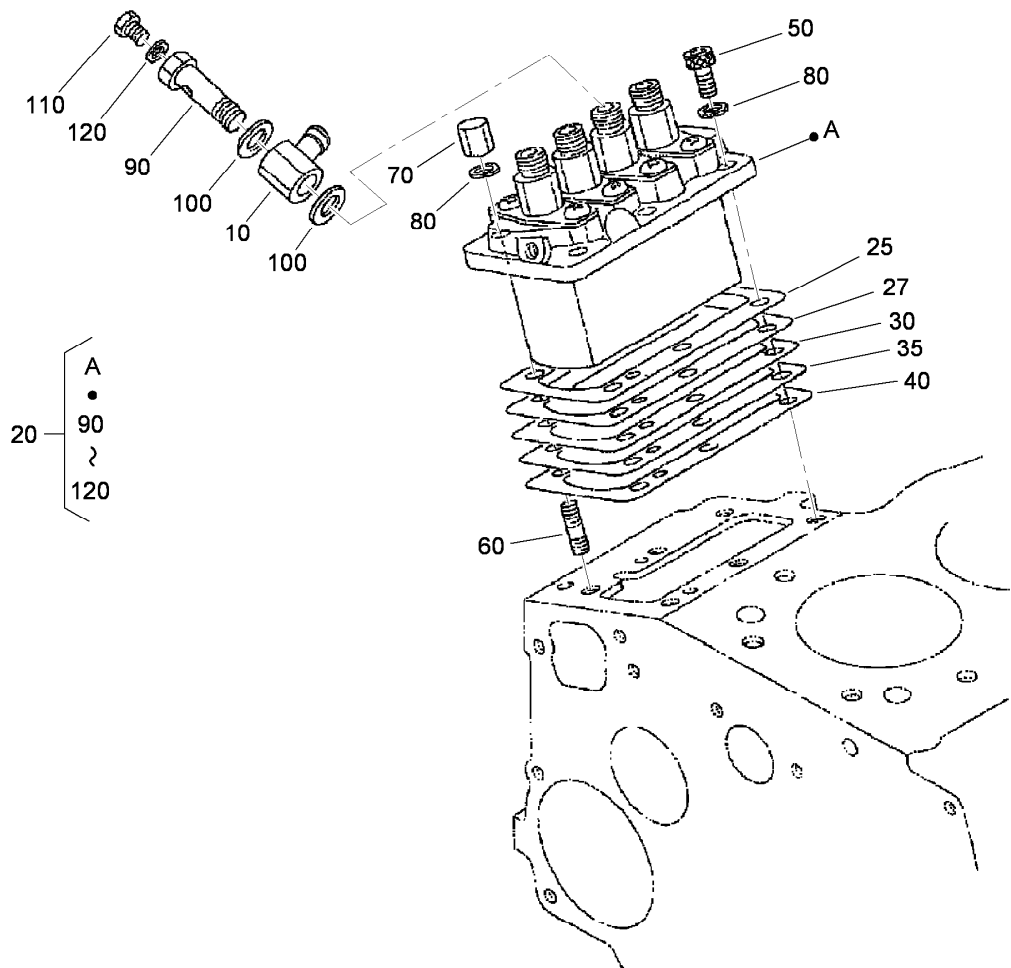
| Ref. | Part Number | Qty. | Description             |
|------|-------------|------|-------------------------|
| 130  | 98-9673     | 1    | Gear-Governor           |
| 140  | 98-9561     | 1    | Holder-Weight, Governor |
| 150  | 98-9559     | 2    | Governor Weight ASM     |
| 160  | 98-9560     | 2    | Shaft-Weight, Governor  |
| 170  | 98-9692     | 2    | Roller                  |
| 180  | 98-9563     | 1    | Sleeve-Governor         |
| 190  | 98-9564     | 1    | Washer-Thrust           |
| 200  | 107-9079    | 1    | Bearing-Ball            |
| 210  | 98-9657     | 1    | Circlip-Shaft, Governor |
| 220  | 98-9565     | 1    | Screw-Set               |



## Idle Apparatus Assembly

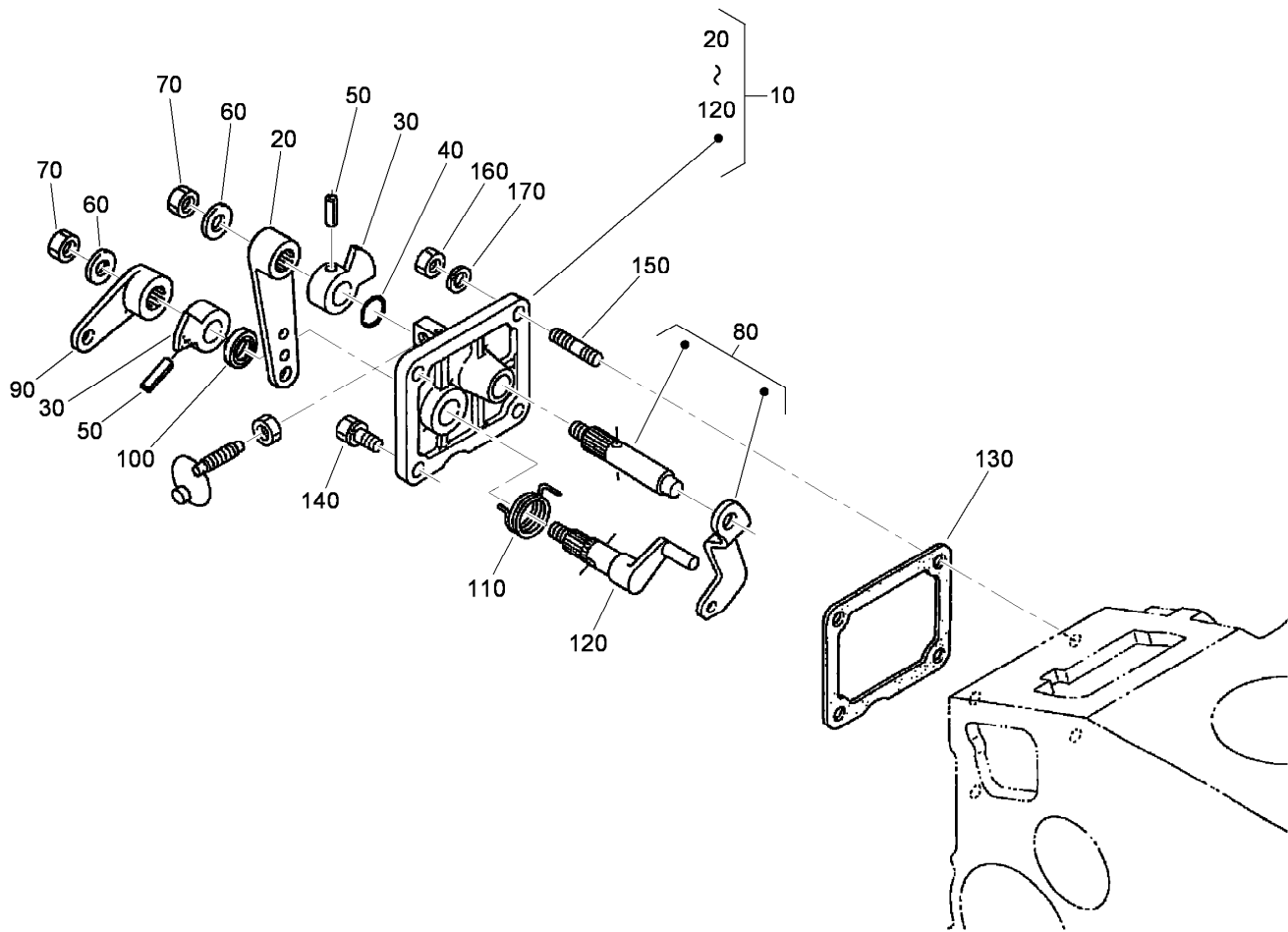
| <i>Ref.</i> | <i>Part Number</i> | <i>Qty.</i> | <i>Description</i> |
|-------------|--------------------|-------------|--------------------|
| 10          | 98-9678            | 1           | Idle Apparatus ASM |
| 20          | 112-7014           | 1           | Adjusting Bolt ASM |
| 30          | 98-9439            | 1           | Nut                |
| 40          | 112-0181           | 1           | Nut                |
| 50          | 98-7654            | 2           | Gasket             |
| 60          | 98-7656            | 1           | Cap                |
| 70          | 112-7015           | 1           | Bolt-Adjusting     |
| 80          | 100-2175           | 1           | Nut-Lock           |
| 90          | 112-0181           | 1           | Nut                |
| 100         | 98-7654            | 1           | Gasket             |
| 110         | 107-9081           | 1           | Gasket             |
| 120         | 104-5155           | 1           | Solenoid-Stop      |
| 130         | 115-3039           | 2           | Bolt-HSH           |
| 150         | 112-7016           | 1           | Cover-Pump         |
| 160         | 98-7572            | 2           | Nut                |
| 170         | 98-7699            | 2           | Washer-Spring      |
| 180         | 99-3514            | 1           | Cover              |
| 190         | 98-9636            | 1           | Gasket-Pump, Fuel  |





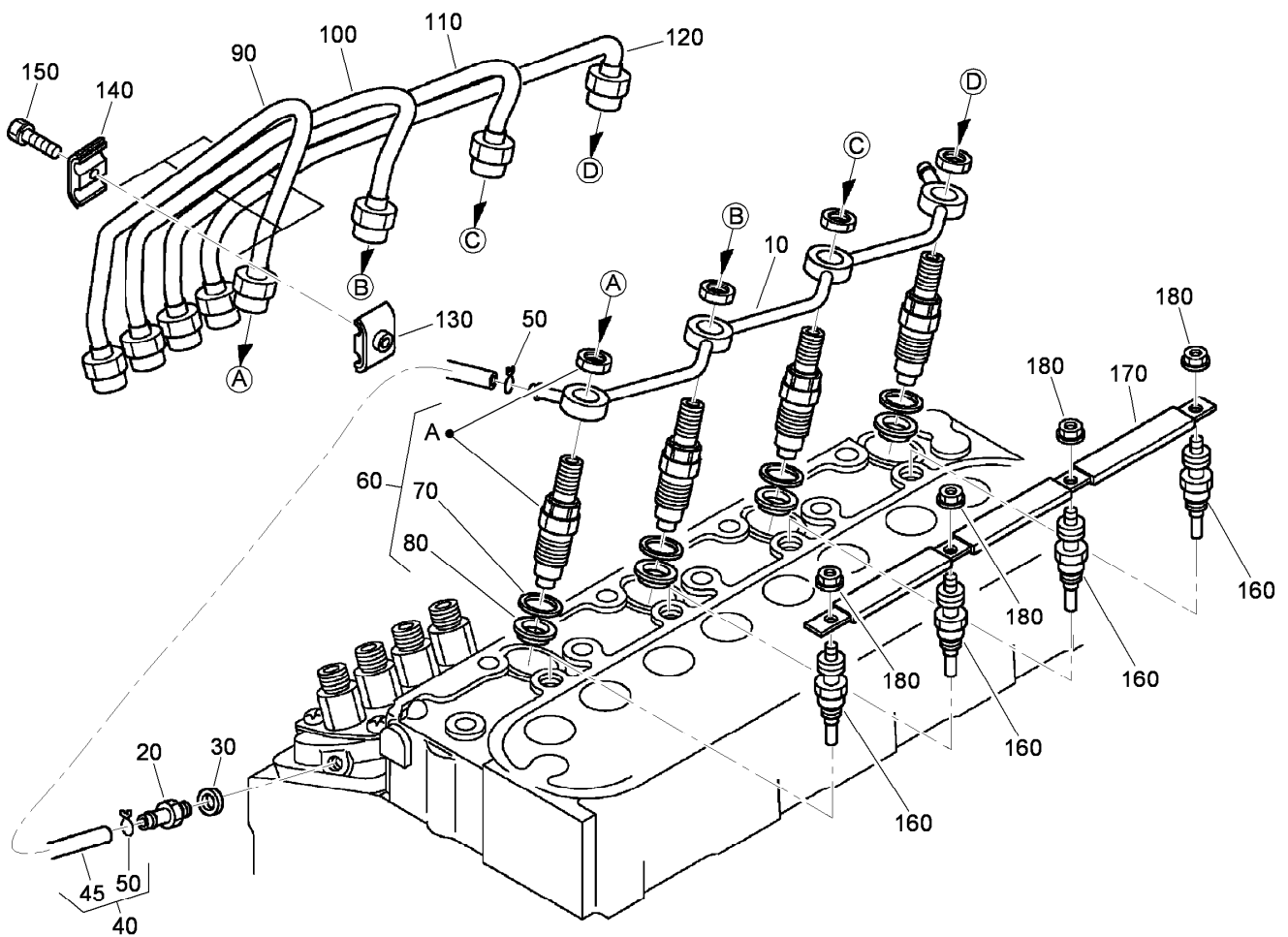
## Injection Pump Assembly

| <i>Ref.</i> | <i>Part Number</i> | <i>Qty.</i> | <i>Description</i>            |
|-------------|--------------------|-------------|-------------------------------|
| 10          | 98-9596            | 1           | Joint-Eye                     |
| 20          | 105-3727           | 1           | Injection Pump ASM            |
| 25          | 115-3016           | 1           | Shim-Pump, Injection (.350Mm) |
| 27          | 115-3017           | 1           | Shim-Pump, Injection (.175Mm) |
| 30          | 105-3728           | 1           | Shim-Pump, Injection (.20Mm)  |
| 35          | 105-3729           | 1           | Shim-Pump, Injection (.25Mm)  |
| 40          | 105-3730           | 1           | Shim-Pump, Injection (.30Mm)  |
| 50          | 98-9361            | 3           | Bolt-HSH                      |
| 60          | 98-9438            | 3           | Stud                          |
| 70          | 98-9440            | 3           | Nut-Cap                       |
| 80          | 98-7699            | 6           | Washer-Spring                 |
| 90          | 98-9464            | 1           | Bolt-Joint                    |
| 100         | 98-9445            | 2           | Gasket                        |
| 110         | 98-9430            | 1           | Screw                         |
| 120         | 98-9446            | 1           | Gasket                        |



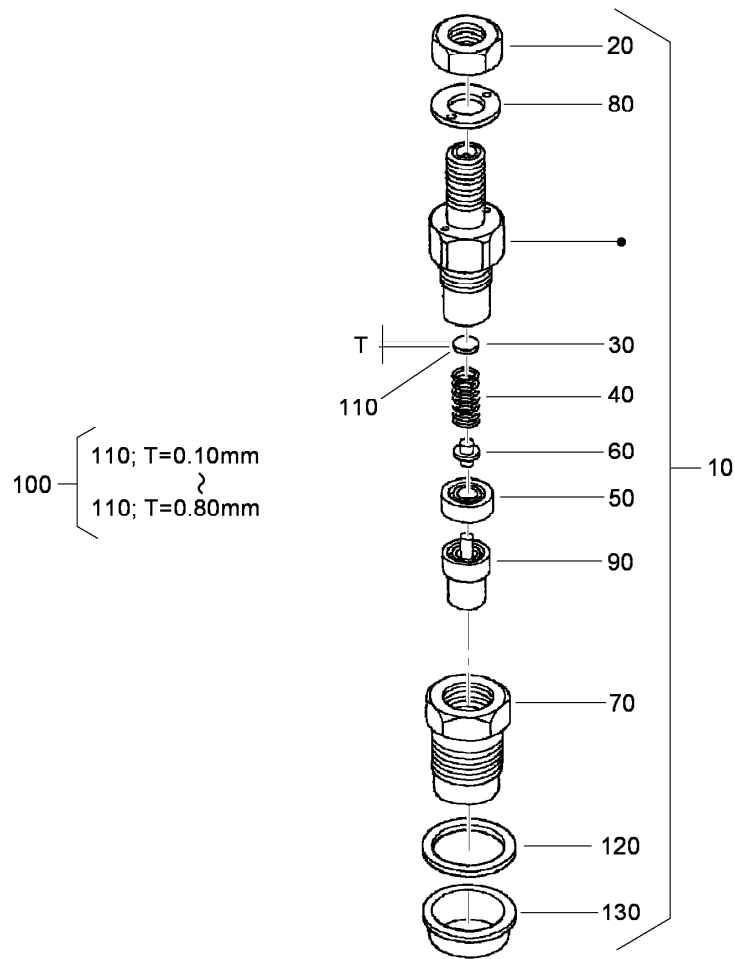
## Speed Control Plate Assembly

| <i>Ref.</i> | <i>Part Number</i> | <i>Qty.</i> | <i>Description</i>   |
|-------------|--------------------|-------------|----------------------|
| 10          | 105-3735           | 1           | Control Plate ASM    |
| 20          | 98-9662            | 1           | Lever-Control, Speed |
| 30          | 98-9572            | 2           | Lever-Control, Speed |
| 40          | 105-3788           | 1           | O-Ring               |
| 50          | 98-7602            | 2           | Pin-Spring           |
| 60          | 98-9594            | 2           | Washer-Plain         |
| 70          | 98-9589            | 2           | Nut                  |
| 80          | 98-9658            | 1           | Governor Lever ASM   |
| 90          | 98-9663            | 1           | Lever-Stop, Engine   |
| 100         | 98-7601            | 1           | Seal-Oil             |
| 110         | 98-9472            | 1           | Spring-Return        |
| 120         | 98-9664            | 1           | Shaft-Lever, Stop    |
| 130         | 98-9637            | 1           | Gasket               |
| 140         | 98-7692            | 2           | Bolt                 |
| 150         | 105-3710           | 2           | Stud                 |
| 160         | 98-7572            | 2           | Nut                  |
| 170         | 98-7699            | 2           | Washer-Spring        |



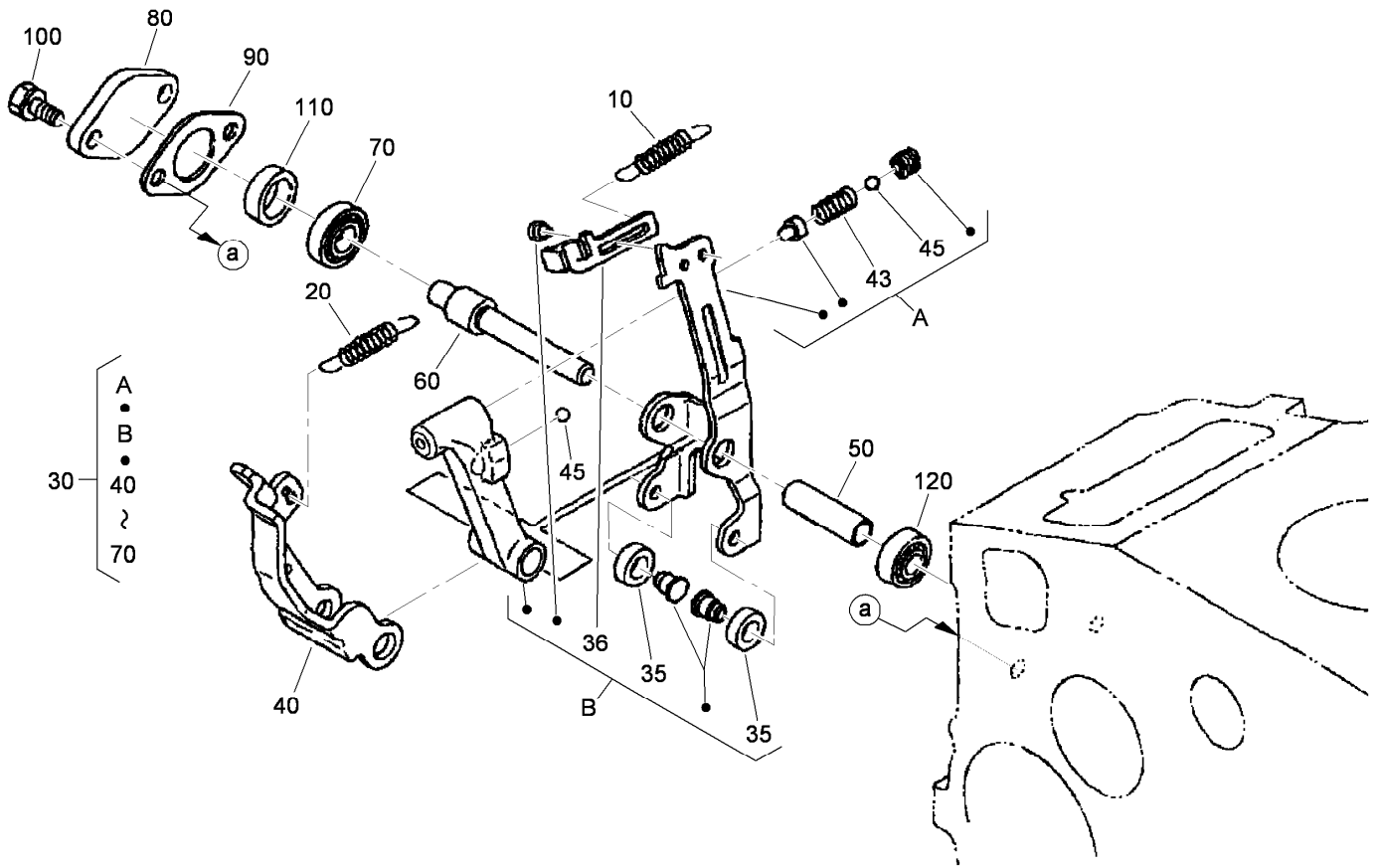
## Nozzle Holder and Glow Plug Assembly

| Ref. | Part Number | Qty. | Description        |
|------|-------------|------|--------------------|
| 10   | 105-3737    | 1    | Over Flow Pipe ASM |
| 20   | 98-9431     | 1    | Screw-Bleeder, Air |
| 30   | 98-7654     | 1    | Gasket             |
| 40   | 98-9420     | 1    | Overflow Pipe ASM  |
| 45   | 112-0182    | 1    | Pipe-Overflow      |
| 50   | 98-7671     | 2    | Clip-Pipe          |
| 60   | 108-2866    | 4    | Nozzle Holder Kit  |
| 70   | 98-7676     | 4    | Gasket             |
| 80   | 98-7677     | 4    | Seal-Heat          |
| 90   | 98-9622     | 1    | Pipe-Injection     |
| 100  | 98-9654     | 1    | Pipe-Injection     |
| 110  | 98-9655     | 1    | Pipe-Injection     |
| 120  | 105-3738    | 1    | Pipe-Injection     |
| 130  | 98-7682     | 3    | Clamp-Pipe         |
| 140  | 98-7683     | 3    | Clamp-Pipe         |
| 150  | 98-7684     | 3    | Screw (W/Washer)   |
| 160  | 98-9623     | 4    | Plug-Glow          |
| 170  | 105-3739    | 1    | Cord-Plug, Glow    |
| 180  | 99-8377     | 4    | Nut-Flange         |



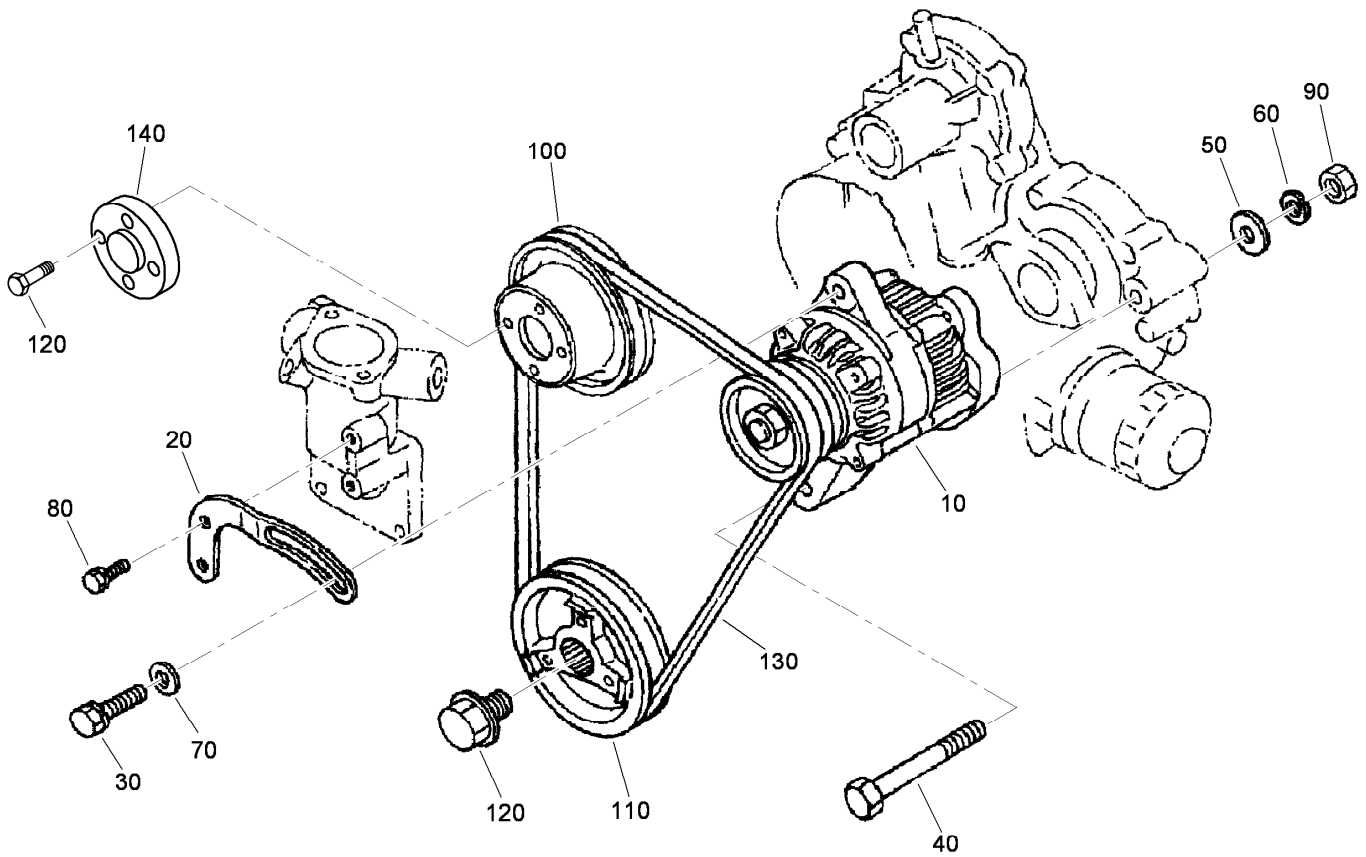
## Nozzle Holder Component Assembly

| Ref. | Part Number | Qty. | Description            |
|------|-------------|------|------------------------|
| 10   | 108-2866    | 4    | Nozzle Holder Kit      |
| 20   | 99-8301     | 4    | Nut                    |
| 30   | 99-8302     | 4    | Washer-Adjusting       |
| 40   | 99-8303     | 4    | Spring-Nozzle          |
| 50   | 99-8304     | 4    | Spacer-Distance        |
| 60   | 99-8305     | 4    | Rod-Push               |
| 70   | 99-8306     | 4    | Nut-Nozzle             |
| 80   | 99-8307     | 4    | Washer-Plain           |
| 90   | 107-7826    | 4    | Piece-Nozzle           |
| 100  | 99-8309     | 4    | Adjusting Washer ASM   |
| 110  | 99-8310     | 4    | Washer-Adjust (0.10Mm) |
| 110  | 99-8311     | 4    | Washer-Adjust (0.20Mm) |
| 110  | 99-8312     | 4    | Washer-Adjust (0.30Mm) |
| 110  | 99-8313     | 4    | Washer-Adjust (0.40Mm) |
| 110  | 99-8314     | 4    | Washer-Adjust (0.50Mm) |
| 110  | 99-8315     | 4    | Washer-Adjust (0.52Mm) |
| 110  | 99-8316     | 4    | Washer-Adjust (0.54Mm) |
| 110  | 99-8317     | 4    | Washer-Adjust (0.56Mm) |
| 110  | 99-8318     | 4    | Washer-Adjust (0.58Mm) |
| 110  | 99-8319     | 4    | Washer-Adjust (0.80Mm) |
| 120  | 98-7676     | 4    | Gasket                 |
| 130  | 98-7677     | 4    | Seal-Heat              |



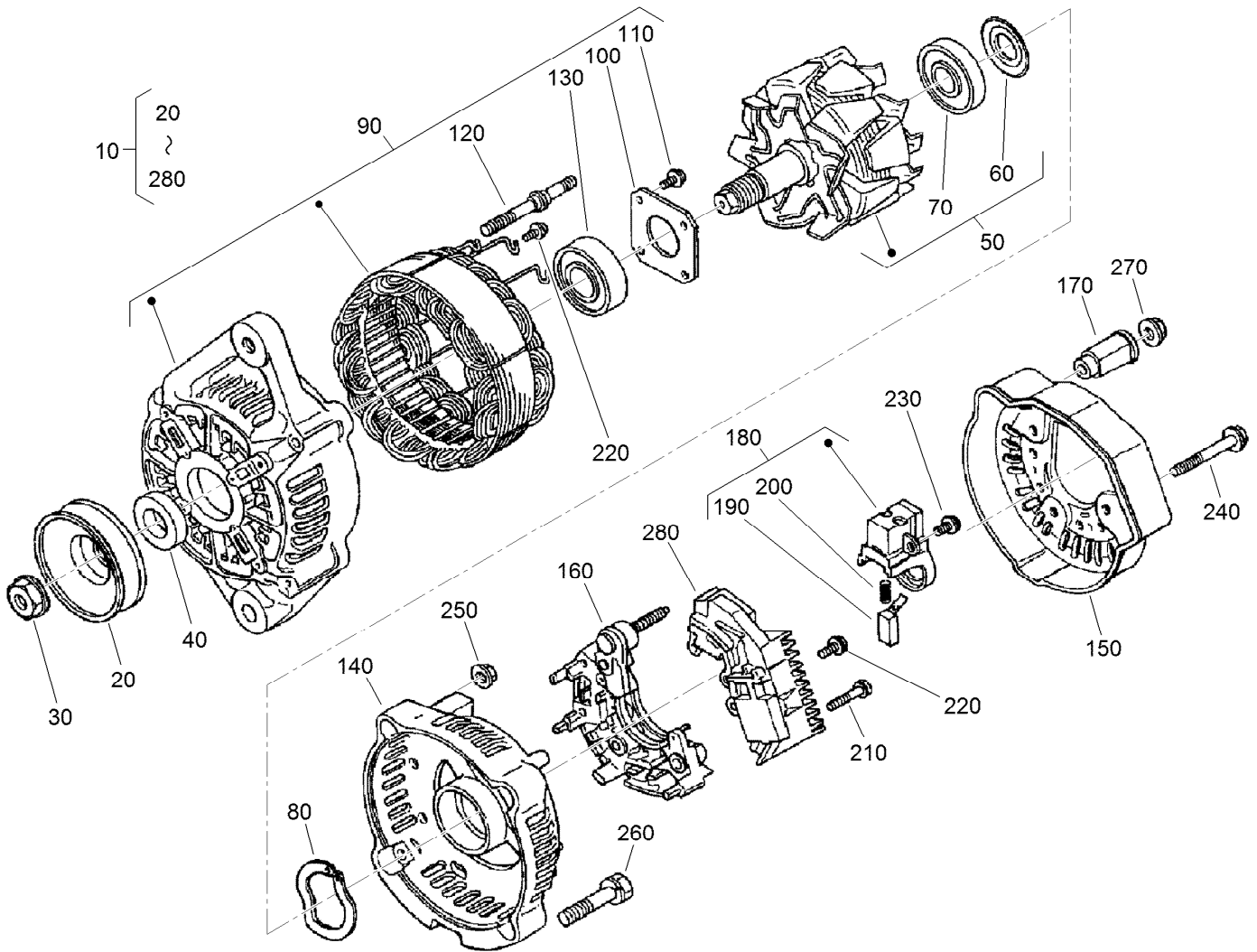
## Governor Assembly

| <i>Ref.</i> | <i>Part Number</i> | <i>Qty.</i> | <i>Description</i>      |
|-------------|--------------------|-------------|-------------------------|
| 10          | 105-3741           | 1           | Spring-Start            |
| 20          | 98-9681            | 1           | Spring-Governor         |
| 30          | 108-4427           | 1           | Fork Lever ASM          |
| 35          | 98-9692            | 2           | Roller                  |
| 36          | 107-9083           | 1           | Lever-Thrust            |
| 40          | 107-9084           | 1           | Lever-Fork              |
| 43          | 108-2867           | 1           | Spring                  |
| 45          | 98-7580            | 2           | Ball                    |
| 50          | 107-9085           | 1           | Shaft-Lever, Fork       |
| 60          | 107-9086           | 1           | Shaft-Lever, Fork       |
| 70          | 98-9570            | 1           | Bearing-Miniaturize     |
| 80          | 115-4122           | 1           | Cover-Shaft, Fork Lever |
| 90          | 98-9682            | 1           | Gasket                  |
| 100         | 98-9350            | 2           | Bolt                    |
| 110         | 98-9567            | 1           | Collar                  |
| 120         | 98-9571            | 1           | Bearing-Miniaturize     |



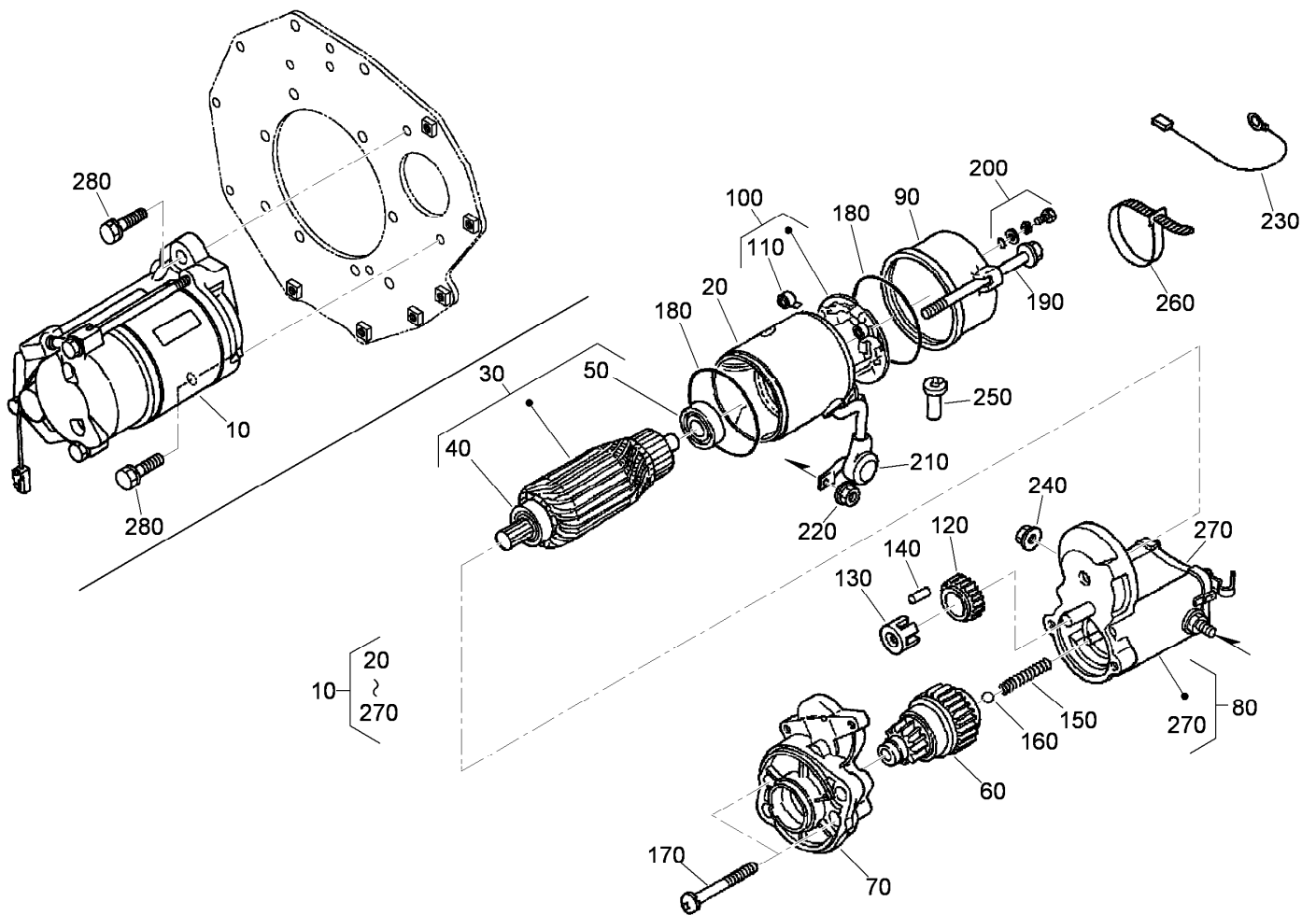
## Alternator and Pulley Assembly

| <i>Ref.</i> | <i>Part Number</i> | <i>Qty.</i> | <i>Description</i> |
|-------------|--------------------|-------------|--------------------|
| 10          | 98-9474            | 1           | Alternator ASM     |
| 20          | 112-7047           | 1           | Stay-Dynamo        |
| 30          | 108-7088           | 1           | Bolt               |
| 40          | 98-9360            | 1           | Bolt               |
| 50          | 98-7696            | 1           | Washer-Plain       |
| 60          | 98-7738            | 1           | Washer-Spring      |
| 70          | 100-9233           | 1           | Washer-Plain       |
| 80          | 98-7692            | 1           | Bolt               |
| 90          | 98-7737            | 1           | Nut                |
| 100         | 110-0972           | 1           | Pulley             |
| 110         | 105-3745           | 1           | Pulley-Drive, Fan  |
| 120         | 98-9585            | 1           | Bolt               |
| 130         | 98-9676            | 1           | V-Belt             |
| 140         | 108-2872           | 1           | Collar-Fan         |



## Alternator Components Assembly

| <i>Ref.</i> | <i>Part Number</i> | <i>Qty.</i> | <i>Description</i>  | <i>Ref.</i> | <i>Part Number</i> | <i>Qty.</i> | <i>Description</i> |
|-------------|--------------------|-------------|---------------------|-------------|--------------------|-------------|--------------------|
| 10          | 98-9474            | 1           | Alternator ASM      | 150         | 107-0140           | 1           | Cover-End          |
| 20          | 98-9453            | 1           | Pulley-Dynamo       | 160         | 98-7721            | 1           | Rectifier ASM      |
| 30          | 98-7708            | 1           | Nut                 | 170         | 98-7722            | 1           | Bushing-Insulation |
| 40          | 98-7709            | 1           | Collar              | 180         | 107-0141           | 1           | Brush Holder ASM   |
| 50          | 107-0136           | 1           | Rotor ASM           | 190         | 98-7724            | 2           | Brush              |
| 60          | 98-7711            | 1           | Cover-Bearing       | 200         | 98-7725            | 2           | Spring-Brush       |
| 70          | 107-0138           | 1           | Bearing-Ball        | 210         | 98-7726            | 2           | Screw-Head, Round  |
| 80          | 98-7713            | 1           | Washer-Thrust       | 220         | 98-7727            | 6           | Screw-Head, Round  |
| 90          | 107-0139           | 1           | Drive End Frame ASM | 230         | 98-7728            | 1           | Screw-Head, Round  |
| 100         | 98-7715            | 1           | Plate-Retainer      | 240         | 98-7729            | 3           | Bolt               |
| 110         | 98-7716            | 4           | Screw-Head, Round   | 250         | 98-7730            | 2           | Nut                |
| 120         | 98-7717            | 2           | Bolt-Through        | 260         | 98-7731            | 2           | Bolt               |
| 130         | 107-0137           | 1           | Bearing-Ball        | 270         | 98-7732            | 1           | Nut                |
| 140         | 107-9087           | 1           | Frame-End           | 280         | 110-3799           | 1           | Regulator ASM      |

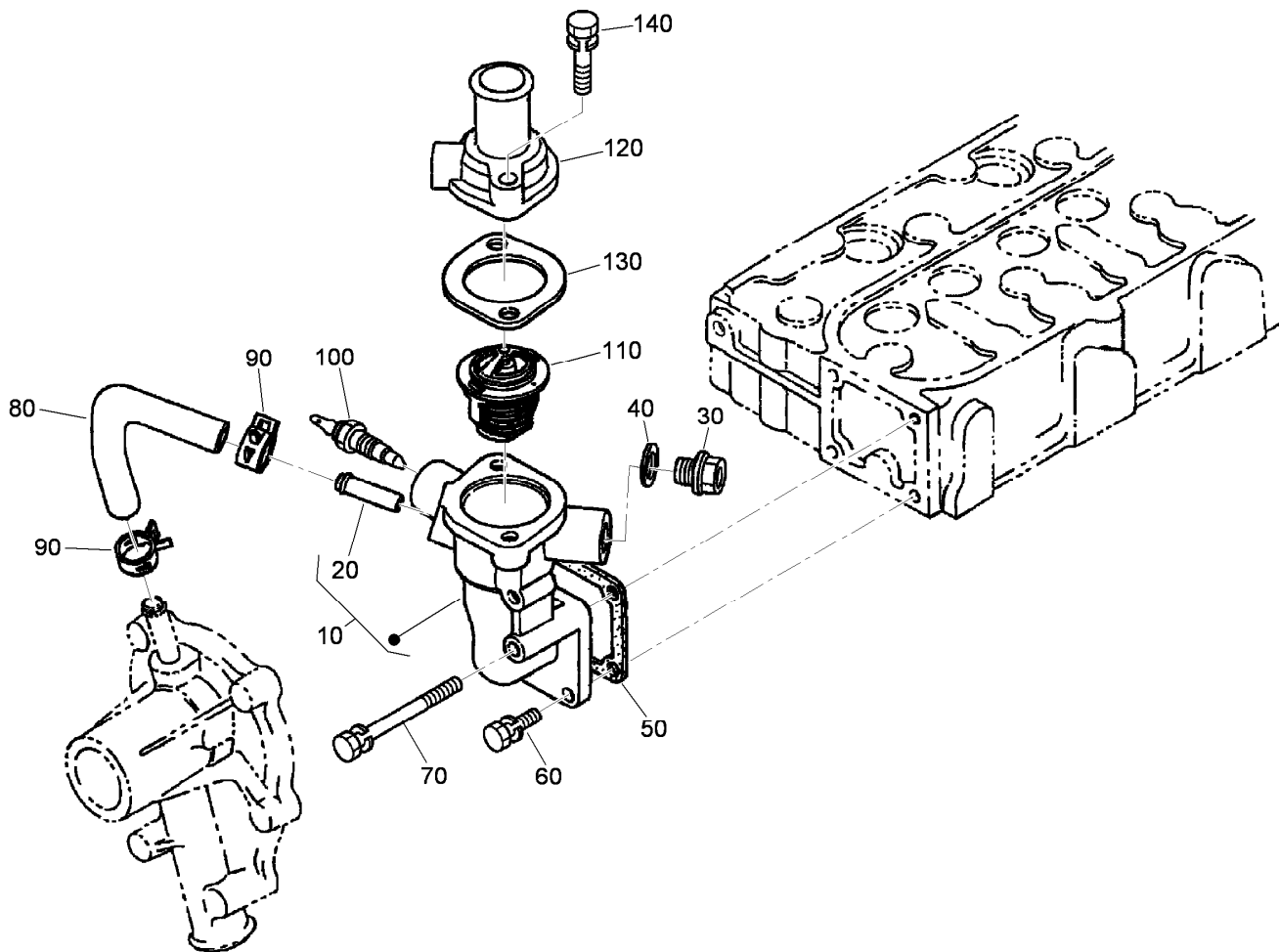


## Starter Assembly

| Ref. | Part Number | Qty. | Description          |
|------|-------------|------|----------------------|
| 10   | 98-9705     | 1    | Starter ASM          |
| 20   | 104-8608    | 1    | Yoke ASM             |
| 30   | 98-7742     | 1    | Armature ASM         |
| 40   | 98-7744     | 1    | Bearing              |
| 50   | 98-7743     | 1    | Bearing              |
| 60   | 99-8373     | 1    | Clutch-Running, Over |
| 70   | 99-8374     | 1    | Frame-End, Drive     |
| 80   | 105-3746    | 1    | Magnetic Switch ASM  |
| 90   | 98-7748     | 1    | Frame-End            |
| 100  | 98-7749     | 1    | Brush Holder ASM     |
| 110  | 98-7750     | 4    | Spring-Brush         |
| 120  | 98-7751     | 1    | Gear                 |
| 130  | 98-7752     | 1    | Retainer             |
| 140  | 98-7753     | 5    | Roller               |

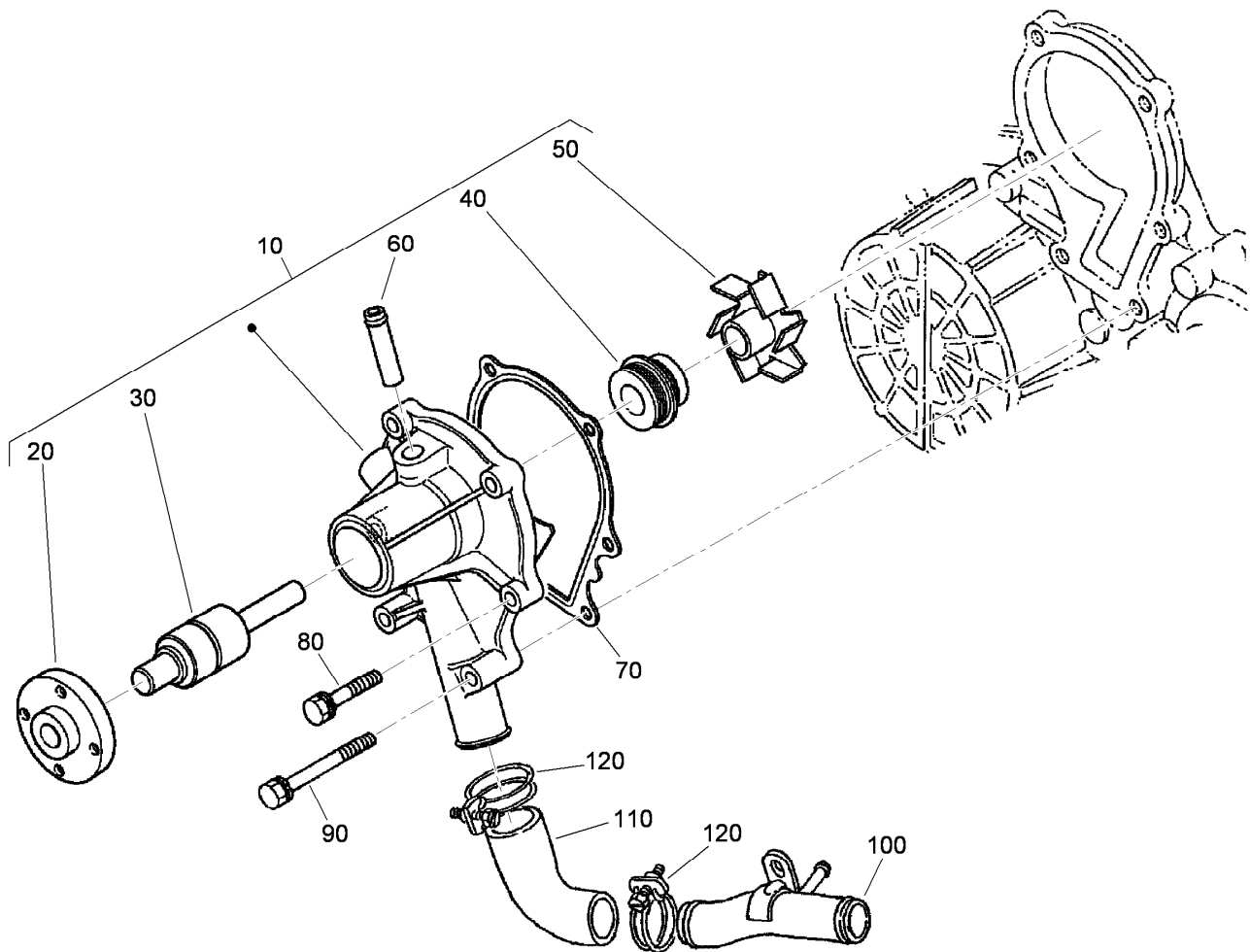
| Ref. | Part Number | Qty. | Description         |
|------|-------------|------|---------------------|
| 150  | 98-7754     | 1    | Spring              |
| 160  | 98-7755     | 1    | Ball                |
| 170  | 98-7756     | 2    | Bolt                |
| 180  | 98-7757     | 2    | O-Ring              |
| 190  | 100-9240    | 2    | Bolt                |
| 200  | 98-7758     | 2    | Bolt ASM            |
| 210  | 99-8375     | 1    | Cover               |
| 220  | 99-8371     | 1    | Nut-Hex             |
| 230  | 98-9711     | 1    | Cord-Solenoid, Stop |
| 240  | 99-8376     | 1    | Nut-Hex             |
| 250  | 98-7759     | 1    | Pipe-Drain          |
| 260  | 98-9712     | 1    | Band-Cover          |
| 270  | 105-2886    | 1    | Cover ASM           |
| 280  | 98-7697     | 2    | Bolt                |





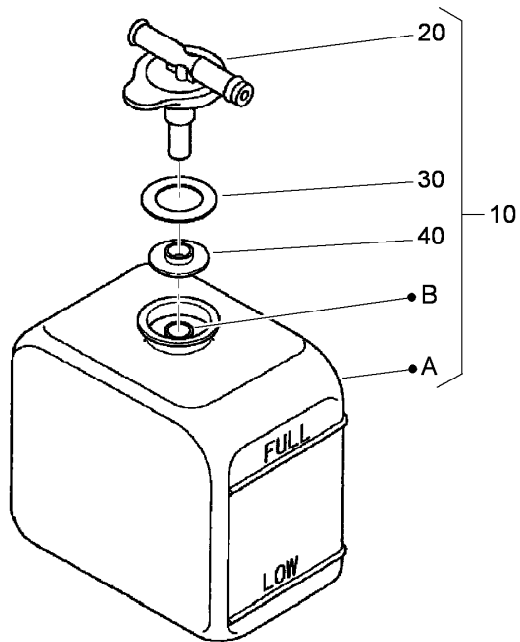
## Water Flange and Thermostat Assembly

| <i>Ref.</i> | <i>Part Number</i> | <i>Qty.</i> | <i>Description</i>   |
|-------------|--------------------|-------------|----------------------|
| 10          | 98-9713            | 1           | Water Flange ASM     |
| 20          | 98-9580            | 1           | Pipe-Return, Water   |
| 30          | 105-3747           | 1           | Plug                 |
| 40          | 99-3583            | 1           | Gasket               |
| 50          | 98-9638            | 1           | Gasket-Flange, Water |
| 60          | 98-7692            | 3           | Bolt                 |
| 70          | 98-9356            | 1           | Bolt                 |
| 80          | 98-9578            | 1           | Pipe-Return, Water   |
| 90          | 98-9579            | 2           | Band-Pipe            |
| 100         | 112-0183           | 1           | Switch-Thermometer   |
| 110         | 98-7778            | 1           | Thermostat ASM       |
| 120         | 98-9471            | 1           | Cover-Thermostat     |
| 130         | 105-3748           | 1           | Gasket-Thermostat    |
| 140         | 98-7777            | 2           | Bolt                 |



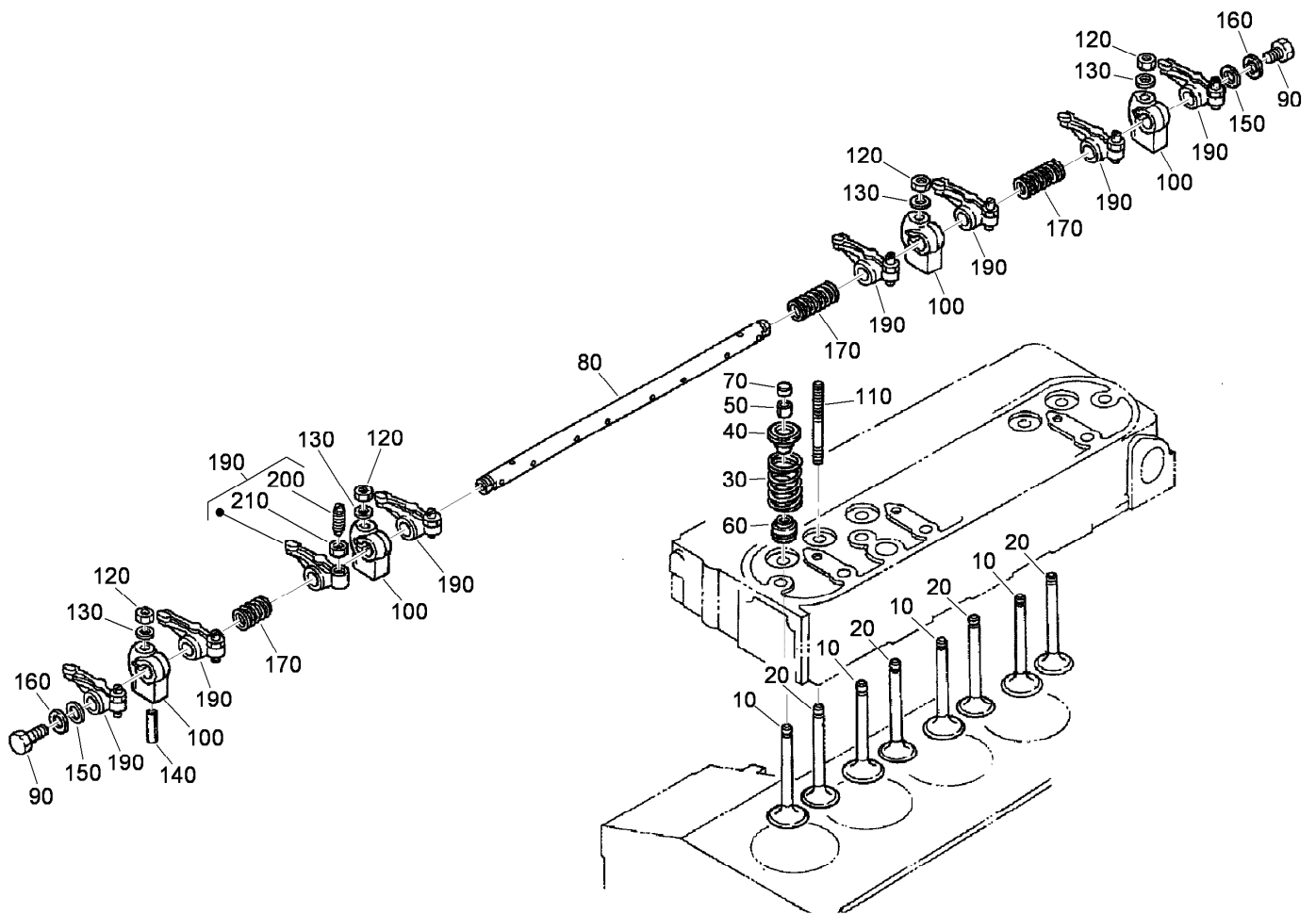
## Water Pump Assembly

| <i>Ref.</i> | <i>Part Number</i> | <i>Qty.</i> | <i>Description</i>   |
|-------------|--------------------|-------------|----------------------|
| 10          | 107-9089           | 1           | Water Pump ASM       |
| 20          | 99-3516            | 1           | Flange-Pump, Water   |
| 30          | 99-3517            | 1           | Bearing-Pump, Water  |
| 40          | 105-3750           | 1           | Mechanical Seal ASM  |
| 50          | 112-7017           | 1           | Impeller-Pump, Water |
| 60          | 100-1932           | 1           | Pipe-Return, Water   |
| 70          | 99-3454            | 1           | Gasket-Pump, Water   |
| 80          | 98-9353            | 4           | Bolt                 |
| 90          | 107-9090           | 2           | Bolt                 |
| 100         | 99-8379            | 1           | Pipe-Water           |
| 110         | 107-9091           | 1           | Pipe-Water           |
| 120         | 98-9717            | 2           | Clamp                |



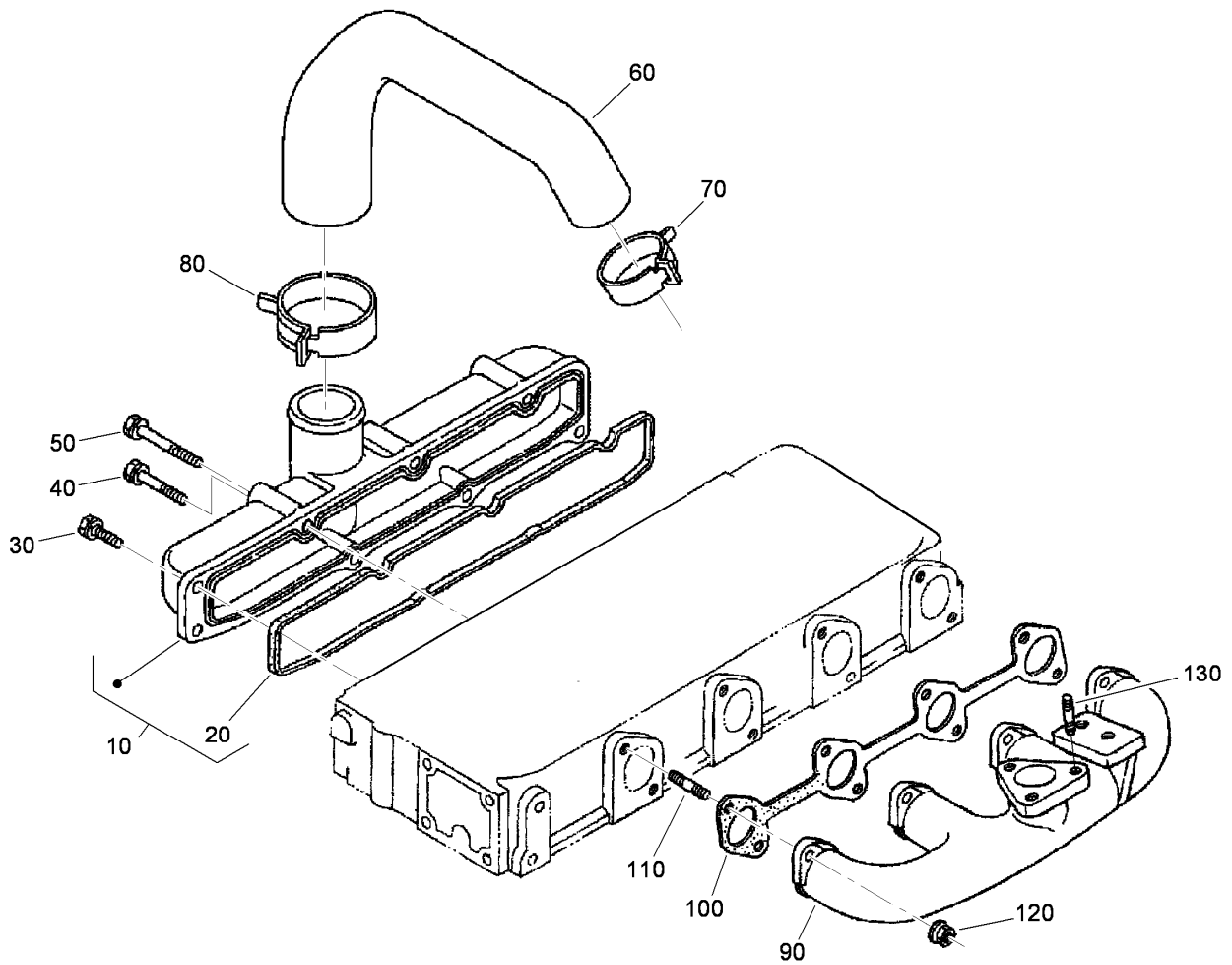
## Overflow Bottle Assembly

| <i>Ref.</i> | <i>Part Number</i> | <i>Qty.</i> | <i>Description</i>  |
|-------------|--------------------|-------------|---------------------|
| 10          | 104-9318           | 1           | Overflow Bottle ASM |
| 20          | 115-4132           | 1           | Cap                 |
| 30          | 105-3755           | 1           | Gasket              |
| 40          | 105-3756           | 1           | Plate               |



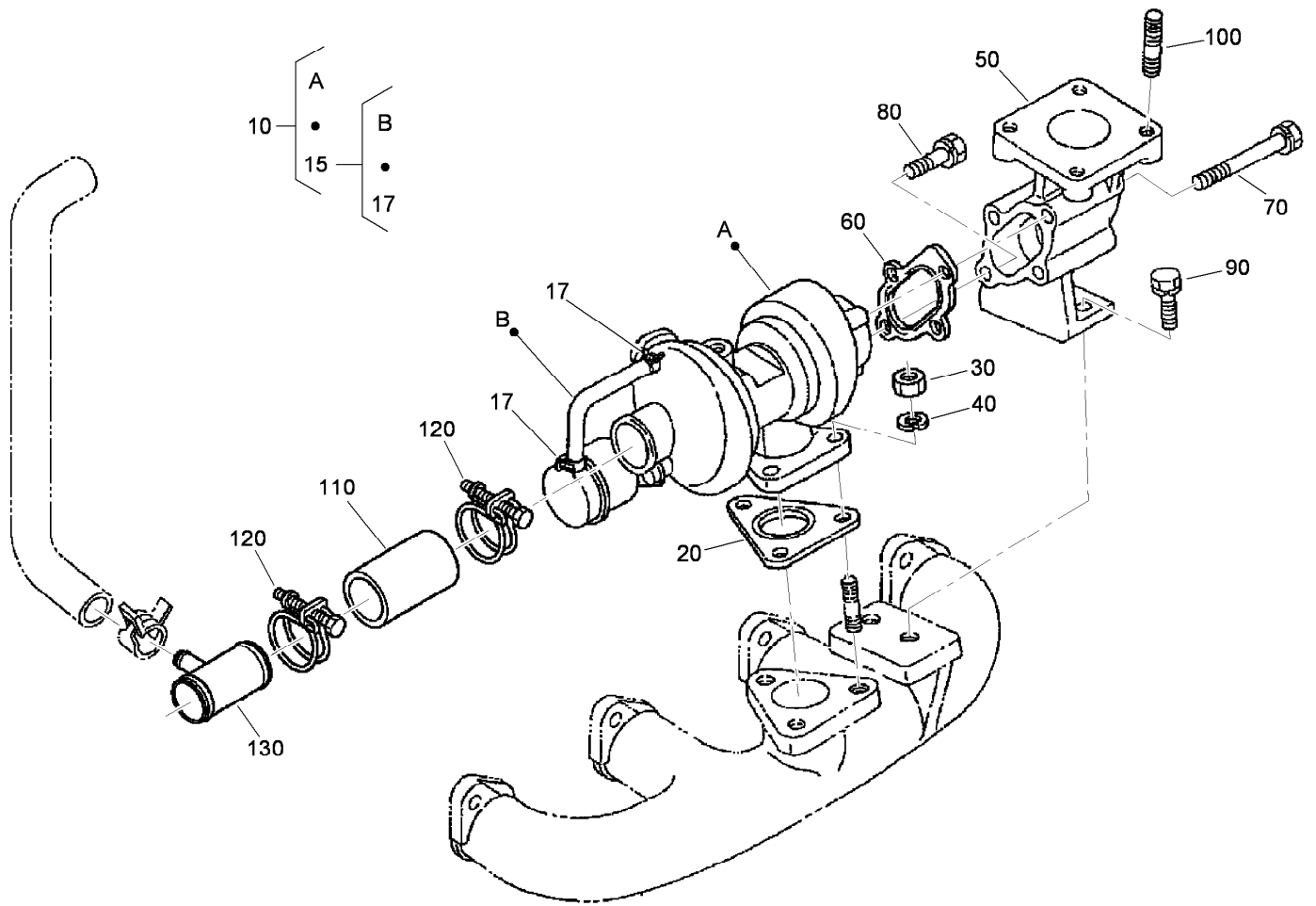
## Valve and Rocker Arm Assembly

| <i>Ref.</i> | <i>Part Number</i> | <i>Qty.</i> | <i>Description</i>   |
|-------------|--------------------|-------------|----------------------|
| 10          | 112-7018           | 4           | Valve-Inlet          |
| 20          | 112-7019           | 4           | Valve-Exhaust        |
| 30          | 98-9626            | 8           | Spring-Valve         |
| 40          | 107-9092           | 8           | Retainer-Spring      |
| 50          | 98-9390            | 8           | Collet-Spring, Valve |
| 60          | 99-8385            | 8           | Seal-Stem, Valve     |
| 70          | 98-9497            | 8           | Cap-Valve            |
| 80          | 105-3757           | 1           | Shaft-Arm, Rocker    |
| 90          | 100-9265           | 2           | Bolt                 |
| 100         | 98-9505            | 4           | Bracket-Arm, Rocker  |
| 110         | 98-9506            | 4           | Stud                 |
| 120         | 98-9393            | 4           | Nut                  |
| 130         | 98-9385            | 4           | Washer-Flat          |
| 140         | 105-3758           | 2           | Pin-Spring           |
| 150         | 98-9507            | 2           | Washer-Shaft, R-Arm  |
| 160         | 110-3832           | 2           | Washer-Plain         |
| 170         | 98-9504            | 3           | Spring-Arm, Rocker   |
| 190         | 112-7020           | 8           | Rocker Arm ASM       |
| 200         | 98-9502            | 8           | Screw-Adjusting      |
| 210         | 98-9503            | 8           | Nut                  |



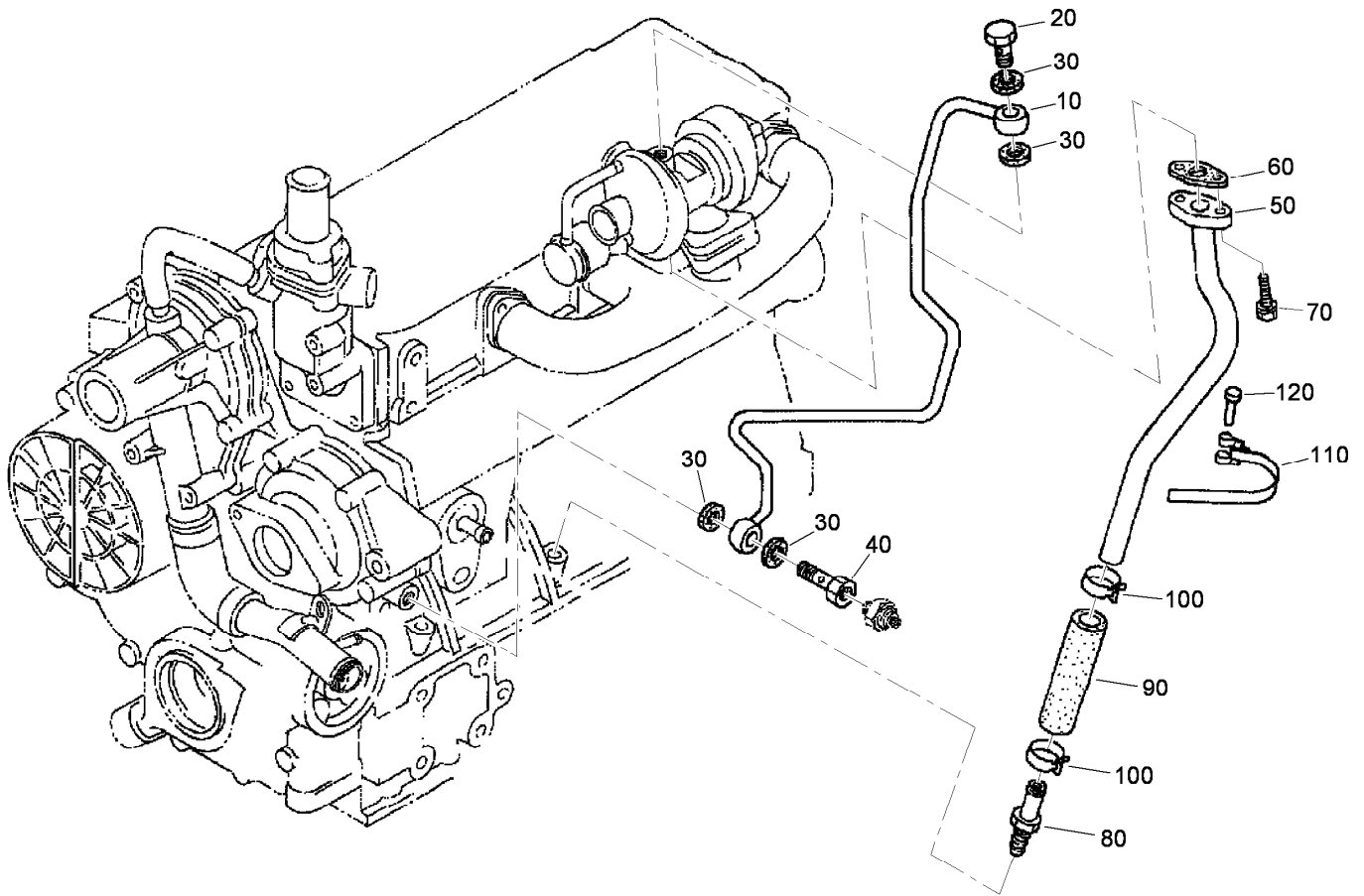
## Inlet and Exhaust Manifold Assembly

| <i>Ref.</i> | <i>Part Number</i> | <i>Qty.</i> | <i>Description</i>       |
|-------------|--------------------|-------------|--------------------------|
| 10          | 105-3759           | 1           | Inlet Manifold ASM       |
| 20          | 105-3760           | 1           | Gasket-Manifold, Intake  |
| 30          | 98-7605            | 3           | Bolt                     |
| 40          | 98-9353            | 2           | Bolt                     |
| 50          | 105-3797           | 3           | Bolt                     |
| 60          | 115-4123           | 1           | Hose-Inlet               |
| 70          | 115-3048           | 1           | Clamp-Hose               |
| 80          | 115-3049           | 1           | Clamp-Hose               |
| 90          | 108-4425           | 1           | Manifold-Exhaust         |
| 100         | 105-3765           | 1           | Gasket-Manifold, Exhaust |
| 110         | 98-9588            | 8           | Stud                     |
| 120         | 98-9665            | 8           | Nut                      |
| 130         | 99-8342            | 3           | Stud                     |



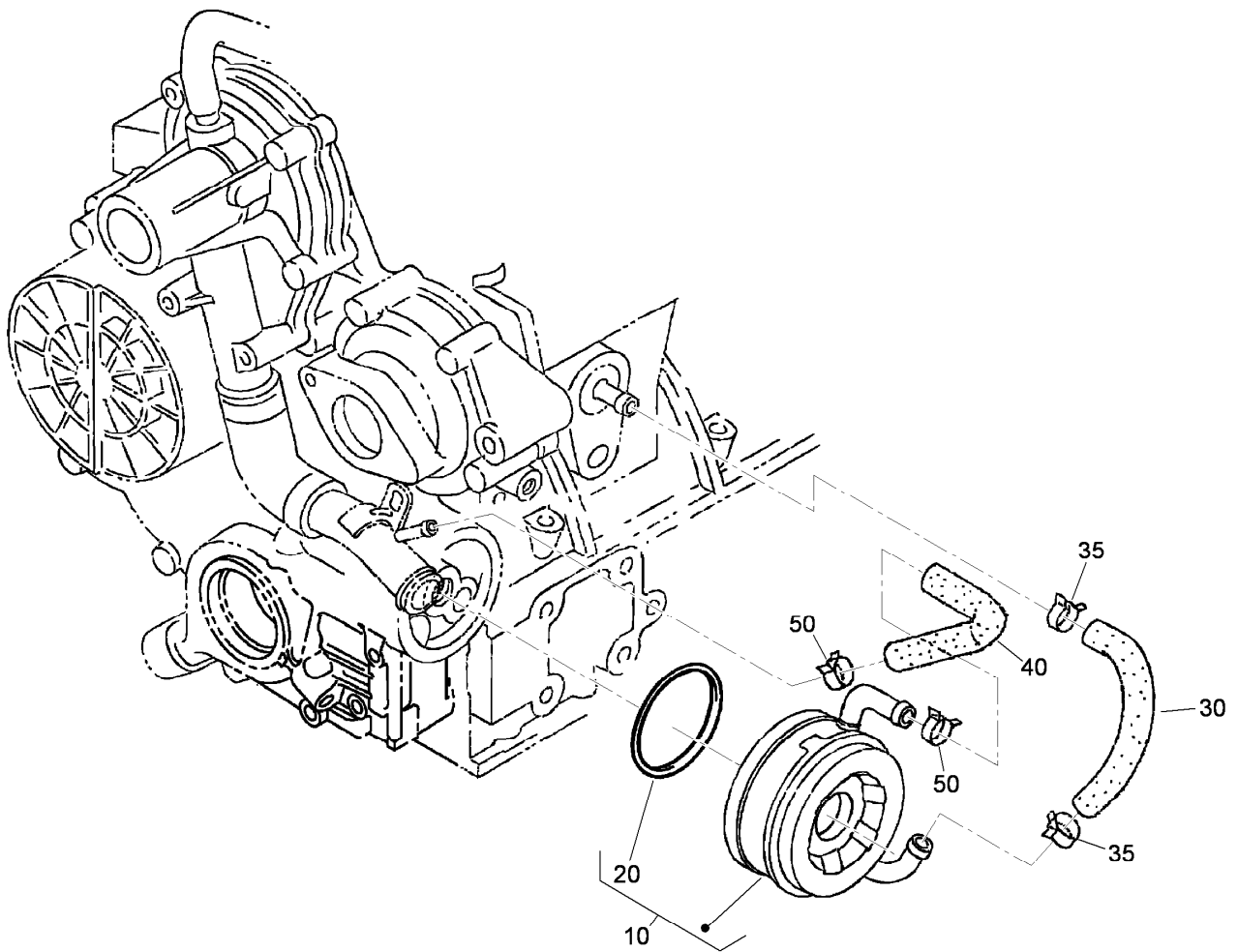
## Turbo Charger Assembly

| <i>Ref.</i> | <i>Part Number</i> | <i>Qty.</i> | <i>Description</i>   |
|-------------|--------------------|-------------|----------------------|
| 10          | 108-1412           | 1           | Turbo Charger ASM    |
| 15          | 108-1413           | 1           | Hose ASM             |
| 17          | 108-1414           | 2           | Clamp-Hose           |
| 20          | 105-3767           | 1           | Gasket               |
| 30          | 98-7534            | 3           | Nut                  |
| 40          | 105-2893           | 3           | Washer-Spring        |
| 50          | 99-8335            | 1           | Flange-Muffler       |
| 60          | 105-3768           | 1           | Gasket               |
| 70          | 115-4100           | 3           | Bolt                 |
| 80          | 105-2895           | 1           | Bolt                 |
| 90          | 98-7610            | 2           | Bolt                 |
| 100         | 98-7769            | 4           | Stud                 |
| 110         | 115-4101           | 1           | Tube-Inlet, Turbo    |
| 120         | 115-4102           | 2           | Band                 |
| 130         | 115-4103           | 1           | Pipe-Inlet, Breather |



## Oil Pipe (Turbo Charger) Assembly

| <i>Ref.</i> | <i>Part Number</i> | <i>Qty.</i> | <i>Description</i> |
|-------------|--------------------|-------------|--------------------|
| 10          | 108-4424           | 1           | Oil Pipe ASM       |
| 20          | 115-4126           | 1           | Bolt-Joint, Eye    |
| 30          | 99-8346            | 4           | Gasket             |
| 40          | 98-9417            | 1           | Bolt-Joint, Eye    |
| 50          | 108-4423           | 1           | Oil Pipe ASM       |
| 60          | 108-4422           | 1           | Gasket             |
| 70          | 98-7605            | 2           | Bolt               |
| 80          | 105-3771           | 1           | Oil Pipe ASM       |
| 90          | 98-9721            | 1           | Pipe-Oil           |
| 100         | 98-9714            | 2           | Clamp-Hose         |
| 110         | 98-9601            | 1           | Clamp-Pipe         |
| 120         | 98-9591            | 1           | Pin-Band           |



## Oil Cooler Assembly

| <i>Ref.</i> | <i>Part Number</i> | <i>Qty.</i> | <i>Description</i> |
|-------------|--------------------|-------------|--------------------|
| 10          | 104-5158           | 1           | Oil Cooler ASM     |
| 20          | 112-7030           | 1           | O-Ring             |
| 30          | 98-9724            | 1           | Pipe-Cooler, Oil   |
| 35          | 98-9579            | 2           | Band-Pipe          |
| 40          | 98-9578            | 1           | Pipe-Return, Water |
| 50          | 98-9579            | 2           | Band-Pipe          |



# Attachments and Accessories

## For 03677 Reelmaster 5610 Traction Unit

| <b>Product Name</b>  | <b>Model/Part</b> |
|--|-------------------|
| Air Ride Seat Suspension Kit.....                                      | 03667             |
| Four-Wheel Drive Kit .....   | 03671             |
| 7in Verticutter.....   | 03684             |
| 7in 8 Blade DPA (radial).....  | 03696             |
| 7in 11 Blade DPA (radial) .....  | 03697             |
| Turf Evaluator .....   | 04399             |
| Wheel Weight Kit .....   | 104-1478          |
| Premium All Season Hydraulic Fluid (55 Gallon Drum) .....              | 108-1177          |
| Premium All Season Hydraulic Fluid (5 Gallon Pail).....                | 108-1178          |
| Premium All Purpose Grease (Tube) .....                                | 108-1190          |
| Gauge Bar Assembly.....  | 108-6715          |
| ROPS Extension Kit.....  | 110-8030          |
| Two-Post ROPS Kit .....  | 110-8860          |
| Weight Plate .....   | 110-8985-03       |
| 5in Air Cleaner Safety Element.....                                    | 114-4057          |
| Premium Synthetic Bio-Degradable Hydraulic Fluid (5 Gallon Pail) ..... | 119-2157          |
| Premium Synthetic Bio-Degradable Hydraulic Fluid (55 Gallon Drum)..... | 119-2158          |
| Cutting Unit Hydraulic Hose Kit.....                                   | 119-6955          |
| Large Seat Cover.....  | 120-5179          |
| Premium Engine Oil 10w30 (55 Gal).....                                 | 121-6392          |
| Premium Engine Oil 10w30 (5 Gallon Pail) .....                         | 121-6393          |
| Brush and Handle Kit.....  | 29-9100           |
| 400-Hour Filter Maintenance Kit .....                                  | 30054             |
| Universal Sunshade .....   | 30349             |
| Diagnostic Display Box.....  | 85-4750           |
| Plastic Plug.....  | 93-7498           |
| Spark Arrestor .....   | 98-9099           |

**Notes:**

**Notes:**



**Count on it.**