



Count on it.

Parts Catalog

**Workman® GTX
Electric Utility Vehicle**

Model No. 07131—Serial No. 316000001 and Up



Ordering Replacement Parts

To order replacement parts, please supply the part number, the quantity, and the description of each part desired.

Understanding Reference Numbers

Each identified part in an illustration has a reference number. The reference number for a part also appears in the parts list, along with other information about the part.

This catalog uses two special reference number formats, one to indicate parts in a service assembly and another to indicate the quantity of a given part in an illustration.

Service Assembly Reference Numbers

Parts in service assemblies have reference numbers in the form a:b. The a represents the reference number of the entire service assembly and the b represents a sequential number unique to each part within the service assembly.

For example, a wheel assembly might be identified by reference number 6, the tire by 6:1, the valve by 6:2, and the wheel by 6:3. When you order the assembly identified by reference number 6, you receive all parts identified by reference numbers 6:1, 6:2, and 6:3. However, you may also order any part individually. Reference numbers of this type appear in illustration and in parts lists.

Reference Numbers Indicating Quantity

In an illustration, if a reference number indicates more than one part, the reference number has the form nX y. The n represents the quantity of the part, the X is the multiplication symbol, and the y represents the reference number.

For example, in an illustration, the reference number 2X 37 means that two of the parts identified by reference number 37 are indicated.

List of Abbreviations

AR: as required

ASM: assembly

BBC: blade brake control

BHTF: button head thread forming

CARR: carriage

CCW: counter clockwise

CW: clockwise

DEG: degrees

DPA: Dual Point Adjustment

ECM: electronic control module

EXT: external

FH: flat head

GA: gauge

HD: heavy-duty

HF: hex flange

HH: hex head

HHF: hex head flange

HHFTF: hex head flange thread forming

HJ: hex jam

HLH: hex lag head

HOC: height-of-cut

HP: high pressure

HSBH: hex socket button head

HSFH: hex socket flat head

HSH: hex socket head

HWH: hex washer head

HWHTF: hex washer head thread forming

HYD: hydraulic

LH: left hand

LP: low pressure

LPG: Liquefied Petroleum Gas

NI: nylon insert

NPTF: national pipe thread fine

PFH: phillips flat head

PPH: phillips pan head

PPHTF: phillips pan head thread forming

PRH: phillips round head

PTH: phillips truss head

PTO: power-take-off

RH: right hand

ROPS: roll-over protection system

RRB: rear roller brush

SFH: slotted fillister head

SHH: slotted hex head

SHWH: slotted hex washer head

SPH: slotted pan head

SQH: square head

SRH: slotted round head

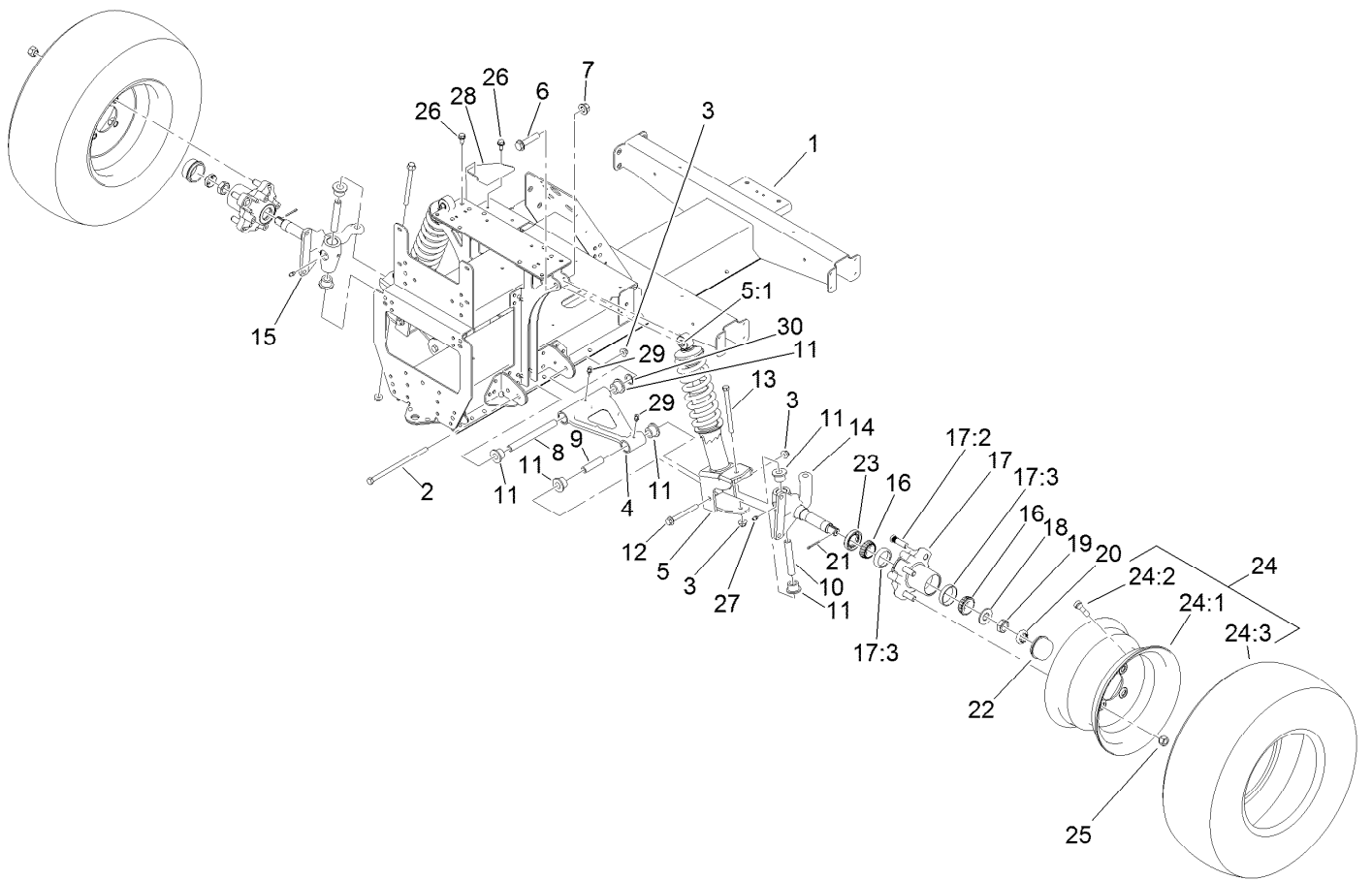
STD: standard

TAP: self tapping

TTH: torx truss head

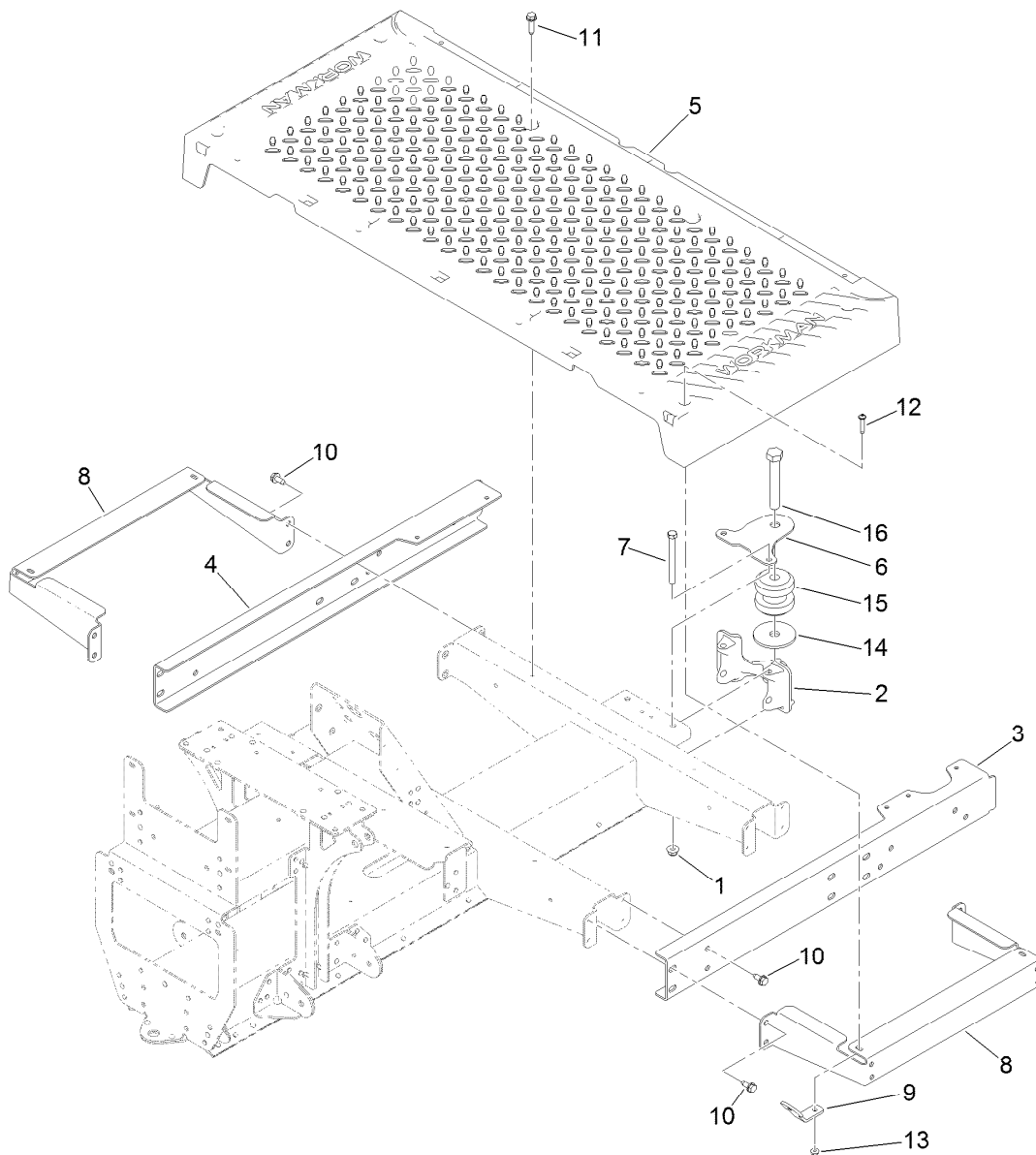
Contents

Front Frame and Suspension Assembly	4
Floor Plate and Rear Suspension Mount Assembly	5
Rear Frame and Suspension Assembly	6
Frame Mount and Rear Shock/Spring Assembly	7
Brake Assembly	8
Master Cylinder Assembly No. 104-6782	9
Brake Caliper Assembly No. 127-7424	10
Steering Assembly	11
Pedal and Control Assembly	12
Hood and Fender Assembly	13
Dash Assembly	14
Seatbase Assembly	15
Cargo Bed Assembly	16
Cargo Bed and Tailgate Assembly No. 131-8592	17
Battery Assembly	18
Rear Axle and Motor Assembly	19
Transaxle Assembly No. 127-7439	20
Controller Assembly	21
Sevcon Controller Assembly No. 127-2767	23
Onboard Charger Assembly No. 131-8490	24
Accelerator Pedal and Key Switch Assembly	25
Attachments and Accessories	26



Front Frame and Suspension Assembly

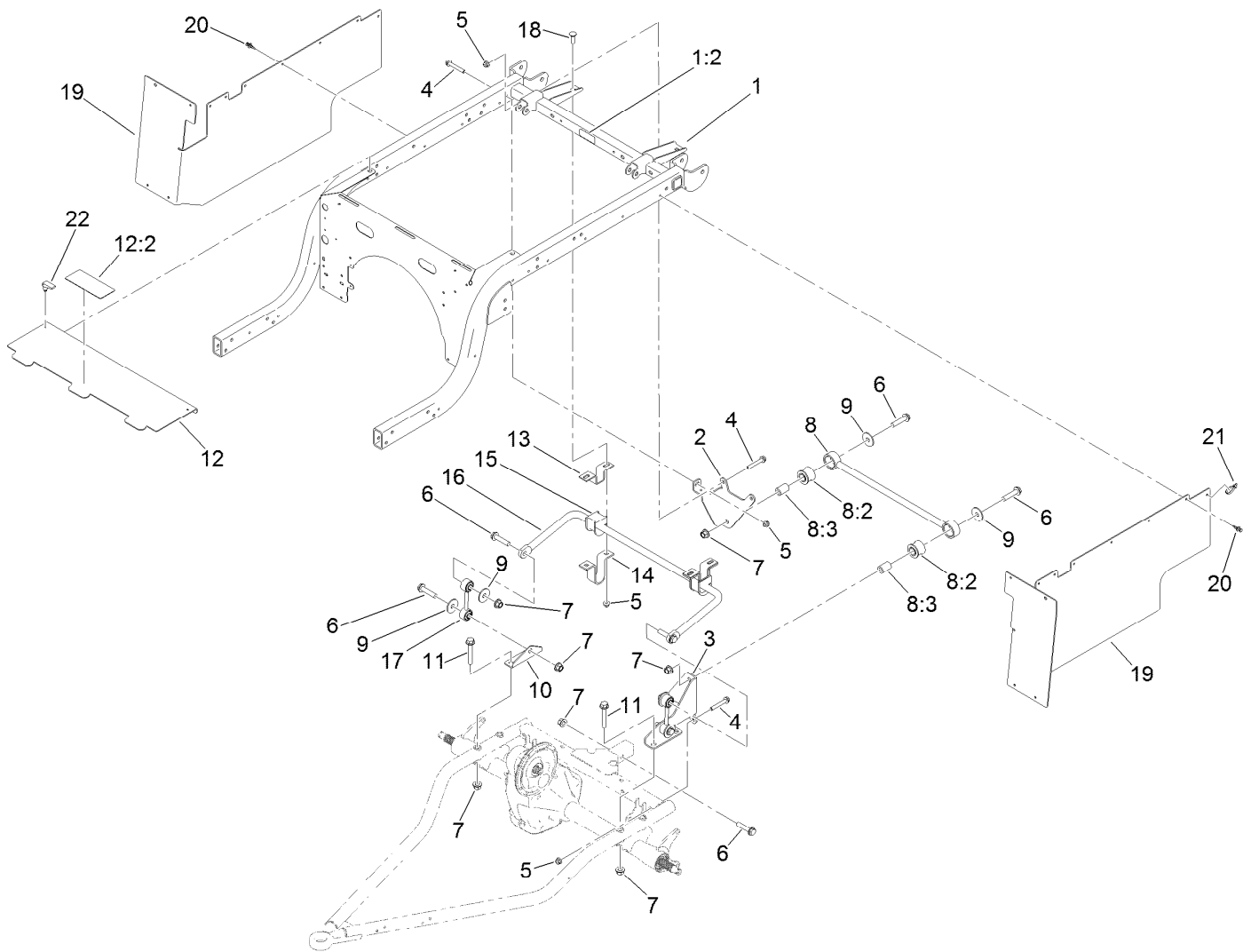
Ref.	Part Number	Qty.	Description	Ref.	Part Number	Qty.	Description
1	127-7718-03	1	Frame-Front	17:2	10-6830	4	Stud-Type, Drive
2	131-8572	2	Screw-HF	17:3	254-72	2	Bearing-Cup, Tapered
3	104-8301	6	Nut-Flange, NI	18	93-0309	2	Washer-Tab
4	131-8345	2	A-Arm	19	3220-7	2	Nut-Jam
5	127-8776	2	Strut ASM	20	93-0307	2	Nut-Lock, Retainer
5:1	131-8574	1	Isolator-Shock	21	3272-12	2	Pin-Cotter
6	3234-46	2	Screw-HHF	22	241-119	2	Cap-Dust
7	99-5107	2	Nut-Lock	23	112-1690	2	Seal-Oil
8	127-8779	2	Sleeve-Arm, Control (Inner)	24	131-8319	2	Tire/Wheel ASM
9	127-8778	2	Sleeve-Arm, Control (Outer)	24:1	131-8317	1	Wheel
10	127-8777	2	Sleeve-Kingpin	24:2	232-27	1	Stem-Valve
11	92-9252	12	Bushing-Flange	24:3	131-8318	1	Tire
12	116-4701	2	Screw-HHF	25	242-50	8	Nut-Lug
13	131-8571	2	Screw-HF	26	32144-70	2	Screw-HWHTF
14	127-8825-03	1	Spindle-LH	27	302-5	2	Fitting-Grease
15	127-8826-03	1	Spindle-RH	28	131-8339-03	1	Reinforcement-Tower
16	254-94	4	Bearing-Cone, Tapered	29	302-40	4	Fitting-Grease, 90 DEG
17	127-8851	2	Front Hub ASM	30	7896	2	Washer-Bowed



Floor Plate and Rear Suspension Mount Assembly

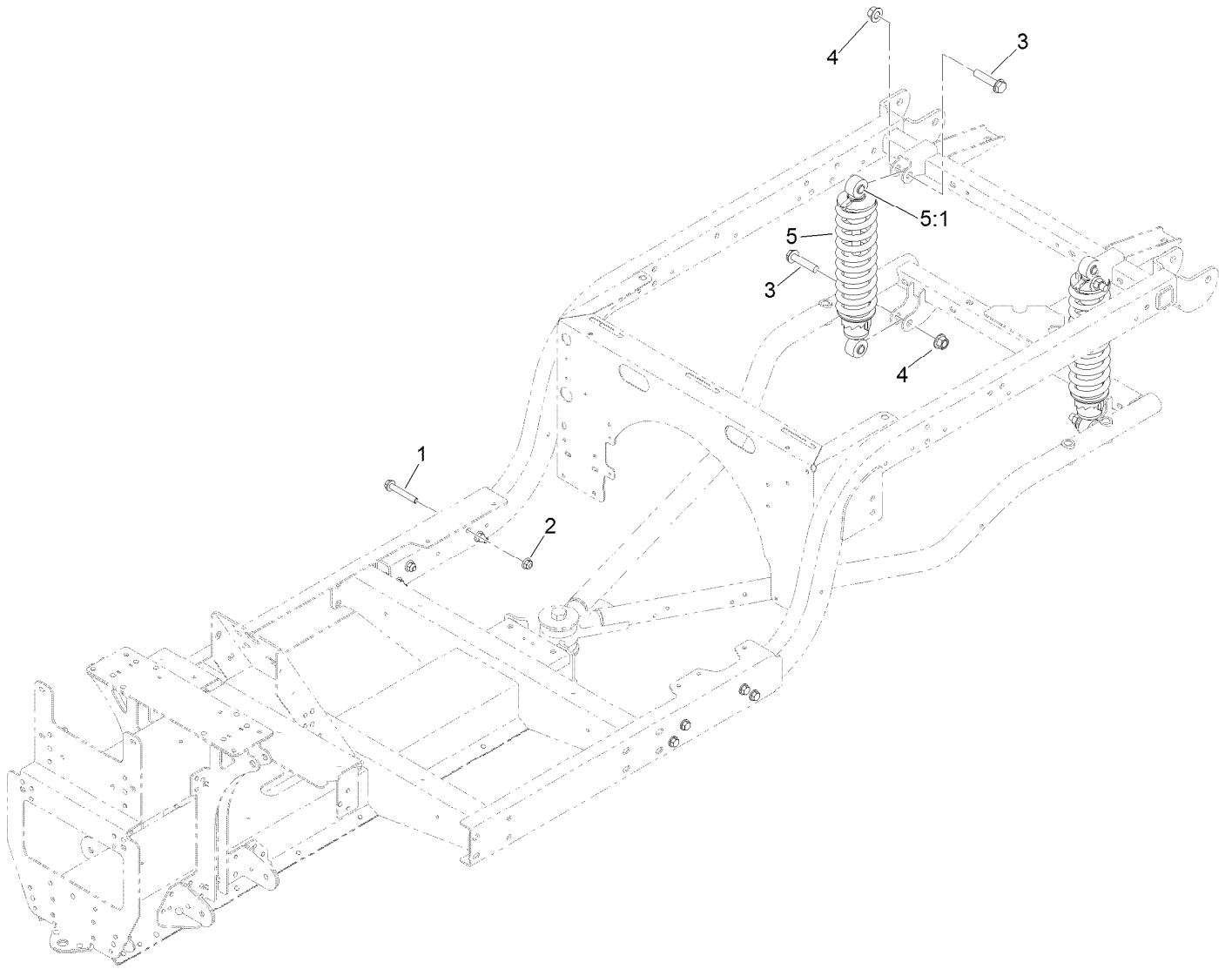
Ref.	Part Number	Qty.	Description
1	104-8301	2	Nut-Flange, NI
2	131-8466	1	Mount-Suspension, Rear
3	127-7820-03	1	Channel-Frame, Front (LH)
4	127-7821-03	1	Channel-Frame, Front (RH)
5	127-7829	1	Plate-Floor
6	131-8597	1	Plate-Gimbal, Upper
7	323-42	2	Screw-HH
8	127-7837-03	2	Bracket-Support, Floor Plate

Ref.	Part Number	Qty.	Description
9	127-7832	2	Bracket-Angle
10	32144-70	16	Screw-HWHTF
11	32144-49	4	Screw-HWHTF
12	132-6777	4	Screw-TTH
13	104-7201	4	Nut-Flange, NI
14	110-4549	1	Washer-Snubbing
15	131-8480	1	Isolator
16	104-5877	1	Screw-HH



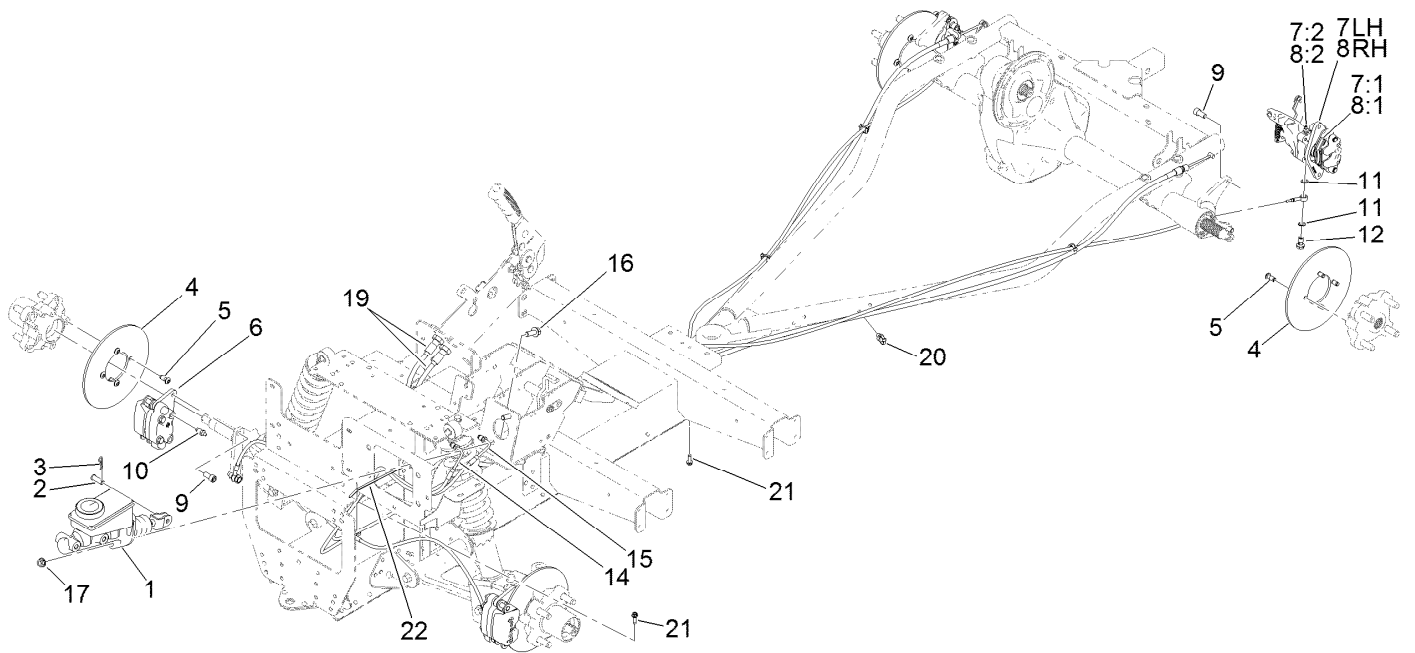
Rear Frame and Suspension Assembly

<i>Ref.</i>	<i>Part Number</i>	<i>Qty.</i>	<i>Description</i>	<i>Ref.</i>	<i>Part Number</i>	<i>Qty.</i>	<i>Description</i>
1	131-8594	1	Rear Frame ASM	11	3234-40	4	Screw-HF
1:2	115-2047	1	Decal-Surface, Hot	12	131-8595	1	Panel-Cover
2	127-7412-03	1	Bracket-Bar, Stabilizer	12:2	99-7345	1	Decal-Warning
3	127-7411-03	1	Bracket-Bar, Stabilizer	13	87-3890-03	2	Bracket-Bar, Sway
4	3234-39	5	Screw-HHF	14	87-4010-03	2	Clamp-Bar, Sway
5	104-8301	9	Nut-Flange, NI	15	87-3910	2	Bushing-Rubber
6	3234-46	6	Screw-HHF	16	131-8310-03	1	Bar-Sway, Anti
7	99-5107	10	Nut-Lock	17	131-8394	2	Link-Bar, Sway
8	109-5013	1	Panhard Rod ASM	18	3231-25	4	Bolt-CARR
8:2	109-5009	2	Bushing-Suspension, Rubber	19	131-8346	2	Panel-Side
8:3	109-5010	2	Spacer	20	125-9622	20	Rivet-Blind
9	86-1990	6	Washer-Thrust	21	614249	2	Tie-Cable
10	131-8315	1	Bracket-Link, Sway Bar	22	74-5950	2	Latch-Swell



Frame Mount and Rear Shock/Spring Assembly

<i>Ref.</i>	<i>Part Number</i>	<i>Qty.</i>	<i>Description</i>
1	3234-39	8	Screw-HHF
2	104-8301	8	Nut-Flange, NI
3	3234-46	4	Screw-HHF
4	99-5107	4	Nut-Lock
5	131-3455	2	Shock/Spring ASM
5:1	131-8574	2	Isolator-Shock



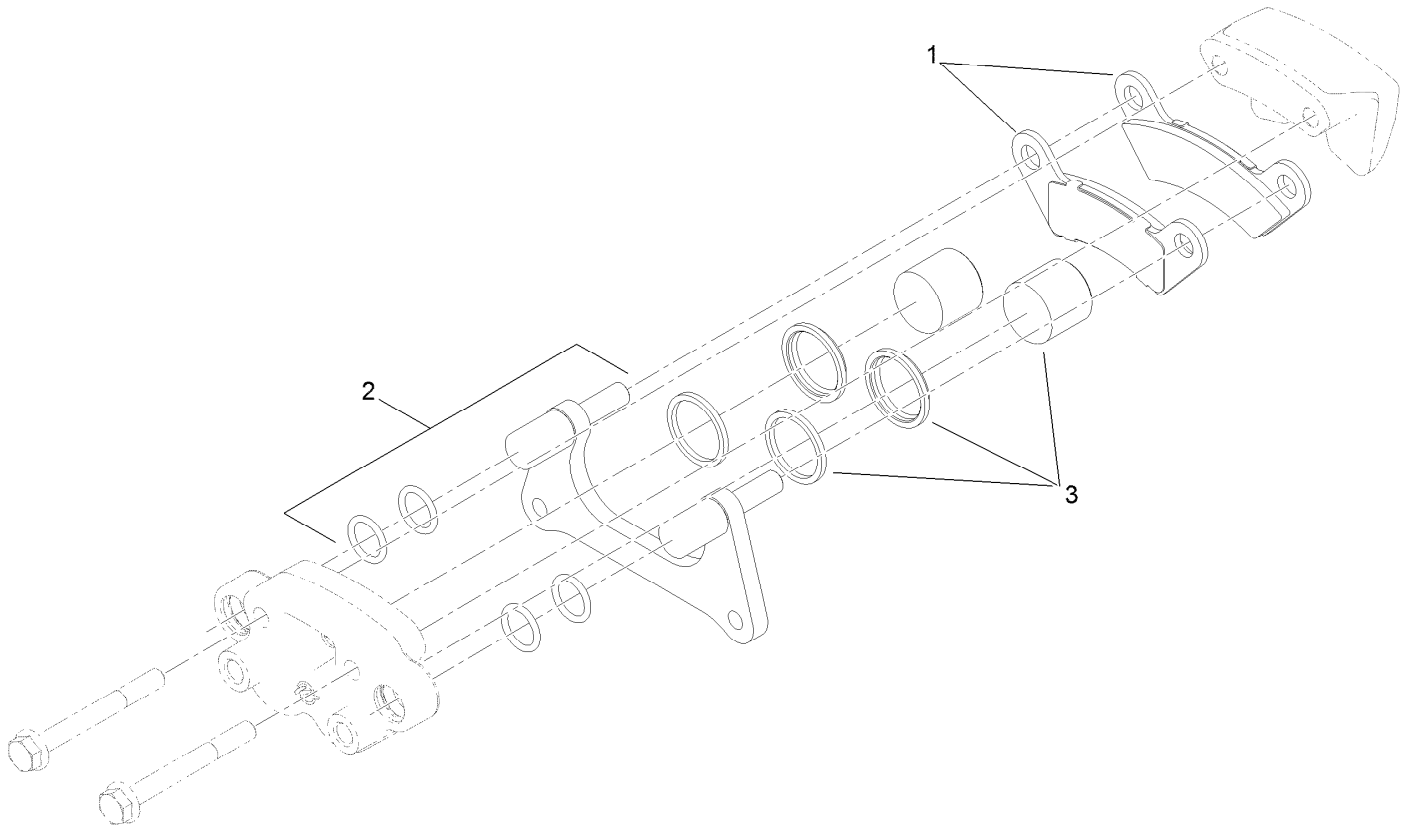
Brake Assembly

<i>Ref.</i>	<i>Part Number</i>	<i>Qty.</i>	<i>Description</i>	<i>Ref.</i>	<i>Part Number</i>	<i>Qty.</i>	<i>Description</i>
1	104-6782	1	Master Cylinder ASM	9	131-8573	8	Screw-HSH
2	283-2	1	Pin-Clevis	10	119-9509	2	Screw-Bleed
3	1-806003	1	Pin-Cotter	11	115-2341	8	Washer-Banjo
4	131-3460	4	Rotor	12	120-4875	4	Bolt-Flange, Banjo
5	121-9671	16	Screw-HSBH	14	127-7781	1	Brake Line-Front
6	127-7424	2	Brake Caliper ASM	15	127-7782	1	Brake Line-Rear
7	131-8313	1	Caliper-Rear, LH	16	3234-11	2	Screw-HHF
7:1	131-8518	1	Pad Kit (Set Of 4)	17	3290-357	2	Nut-HHF, Whiz
7:2	119-9509	1	Screw-Bleed	19	131-8406	2	Cable-Park Brake
8	131-8314	1	Caliper-Rear, RH	20	32180-030	4	Clip-Tie
8:1	131-8518	1	Pad Kit (Set Of 4)	21	49-2040	2	Screw-HWHTF
8:2	119-9509	1	Screw-Bleed	22	614249	1	Tie-Cable



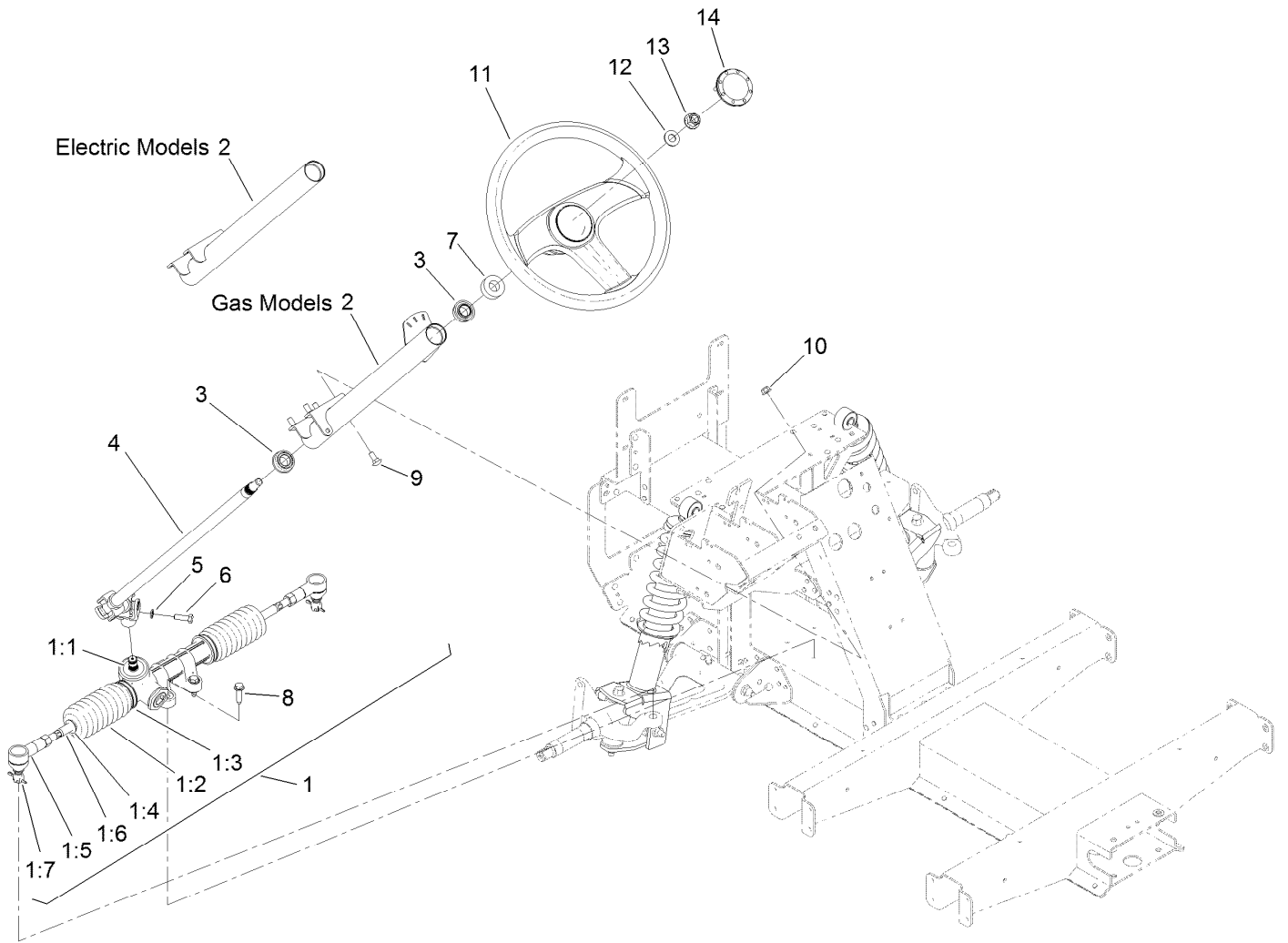
Master Cylinder Assembly No. 104-6782

<i>Ref.</i>	<i>Part Number</i>	<i>Qty.</i>	<i>Description</i>
1	104-6845	1	Reservoir ASM
1:1	92-4112	1	Cap ASM
2	93-8971	2	Seal-Port, Flange
3	92-4103	1	Pin-Stop
4	92-4102	1	Secondary Piston ASM
5	92-4110	1	Clevis
6	21-0360	1	Nut-Hex
7	94-5209	1	Cover-Dust
8	94-5210	1	Rod-Push
9	92-4109	1	Ring-Snap
10	92-4108	1	Retainer-Washer
11	92-4101	1	Primary Piston ASM



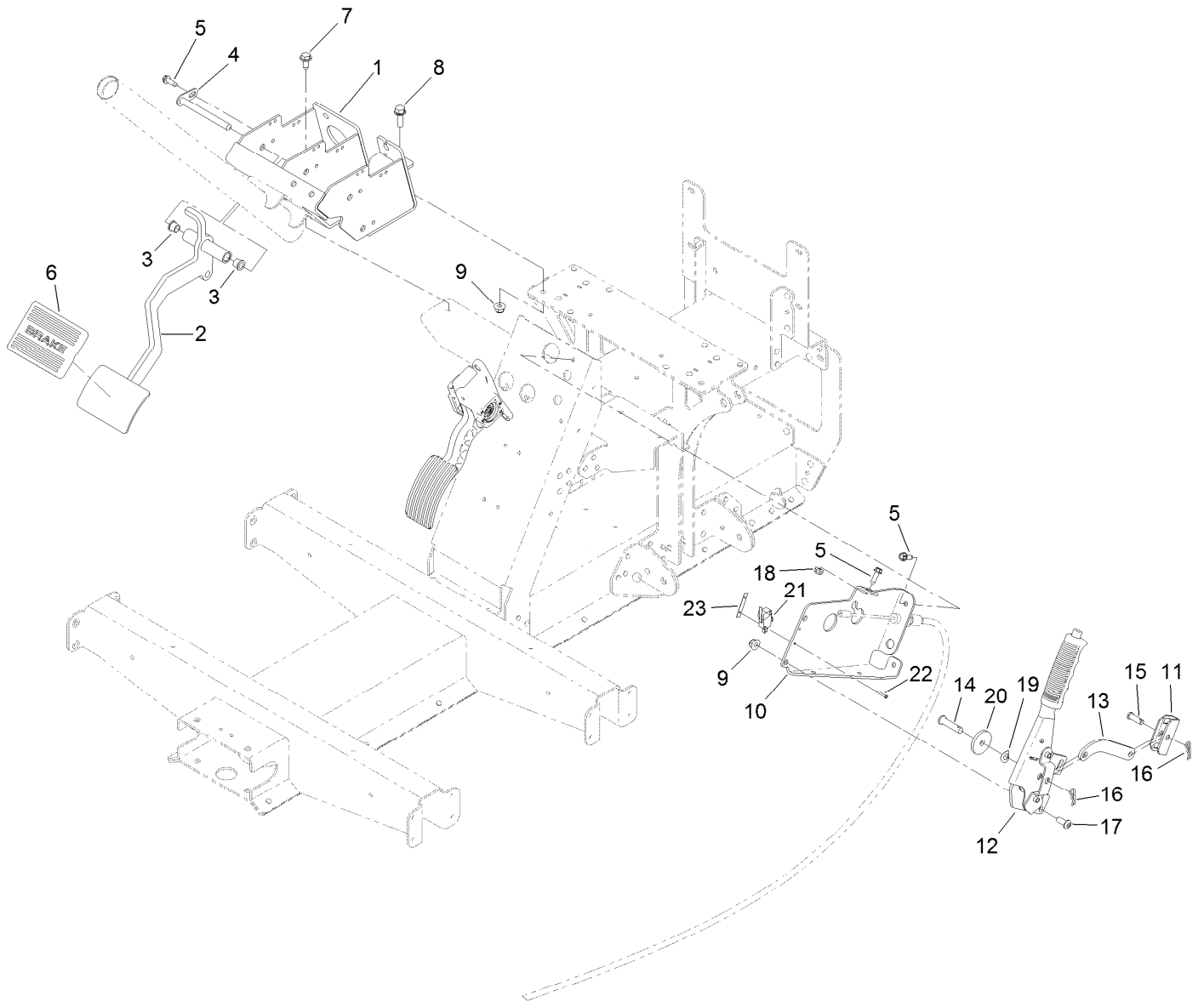
Brake Caliper Assembly No. 127-7424

<i>Ref.</i>	<i>Part Number</i>	<i>Qty.</i>	<i>Description</i>
1	119-9510	1	Pads-Brake
2	119-9511	1	Bracket Kit
3	119-9512	1	Piston Kit



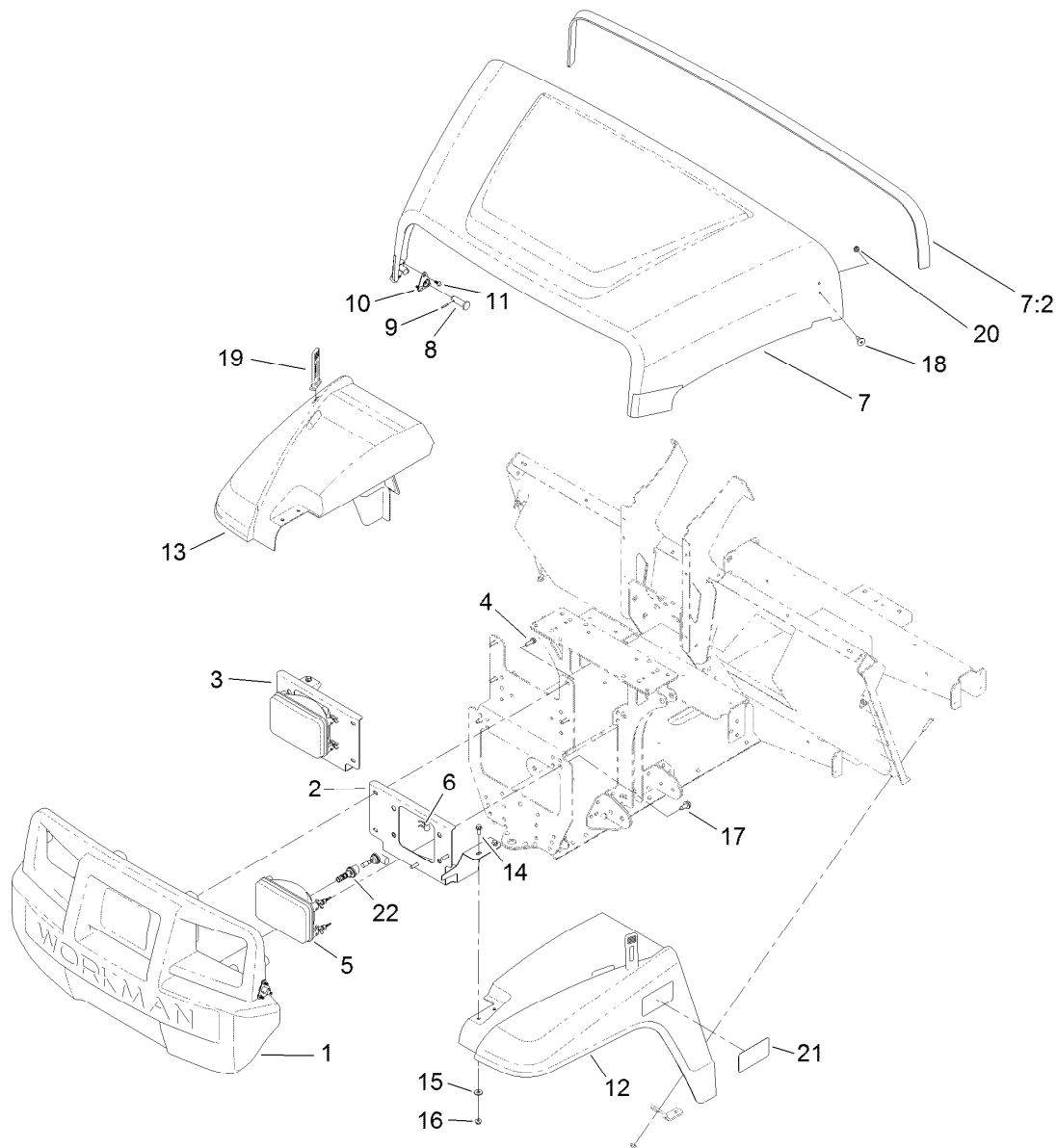
Steering Assembly

<i>Ref.</i>	<i>Part Number</i>	<i>Qty.</i>	<i>Description</i>	<i>Ref.</i>	<i>Part Number</i>	<i>Qty.</i>	<i>Description</i>
1	127-8797	1	Steering Rack ASM	5	3253-4	1	Washer-Lock
1:1	133-0607	1	Seal-Shaft	6	322-5	1	Screw-HH
1:2	133-0606	2	Bellows	7	21-9260	1	Cover-Dust
1:3	133-0605	2	Clamp-Bellows, Inner	8	32144-49	4	Screw-HWHTF
1:4	133-0604	2	Clamp-Bellows, Outer	9	3230-1	4	Bolt-CARR
1:5	133-0602	2	End-Rod, Track	10	104-8300	4	Nut-Flange, NI
1:6	133-0601	2	Rod-Tie, Track	11	131-0957	1	Wheel-Steering
1:7	3272-42	2	Pin-Cotter	12	3256-26	1	Washer-Flat
2	131-8513-03	1	Steering Column ASM	13	99-5107	1	Nut-Lock
3	112-3262	2	Bearing	14	131-3630	1	Cap-Wheel, Steering
4	127-8804	1	Steering Shaft ASM				



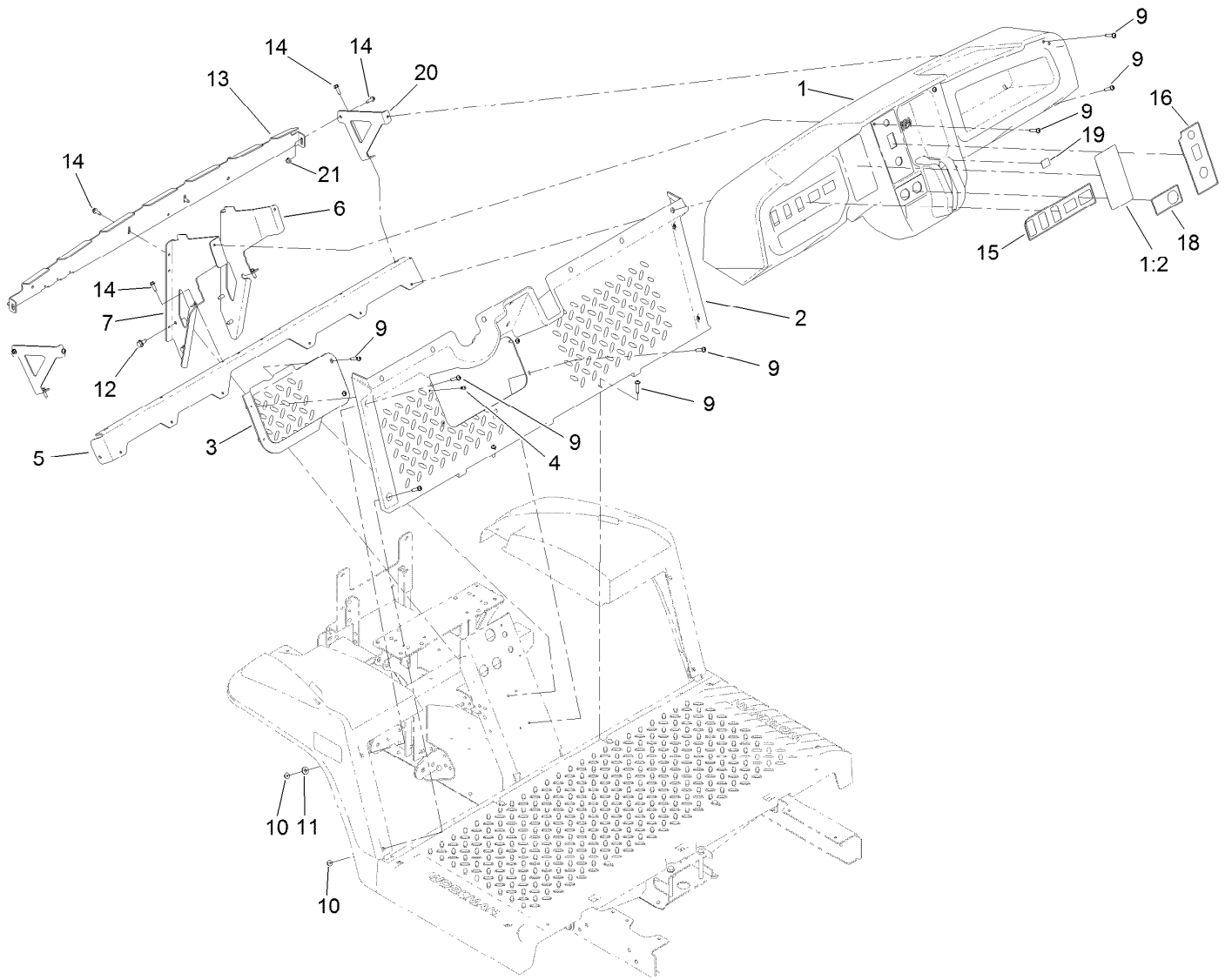
Pedal and Control Assembly

Ref.	Part Number	Qty.	Description	Ref.	Part Number	Qty.	Description
1	127-8817-03	1	Pedal Mount ASM	13	127-8836-03	1	Link-Brake, Park
2	127-8818-03	1	Brake Pedal ASM	14	283-10	1	Pin-Clevis
3	256-116	2	Bushing-Flange	15	1-808280	1	Pin-Clevis
4	131-8459	1	Pivot Shaft ASM	16	1-806003	2	Pin-Cotter
5	49-2040	4	Screw-HWHTF	17	3274-55	2	Screw-HSBH
6	7-3900	1	Pad-Brake	18	104-7201	1	Nut-Flange, NI
7	32144-70	2	Screw-HWHTF	19	121-4605	1	Washer-Spring
8	3234-29	1	Screw-HHF	20	131-8496	1	Washer-Plain
9	104-8300	3	Nut-Flange, NI	21	108-6496	1	Switch (W/Boot)
10	127-8834-03	1	Mount-Brake, Park	22	3290-313	2	Screw-SPH
11	87-3480	1	Bracket-Equalizer, Cable	23	3290-354	1	Nut-Speed
12	131-8320	1	Lever-Brake, Park				



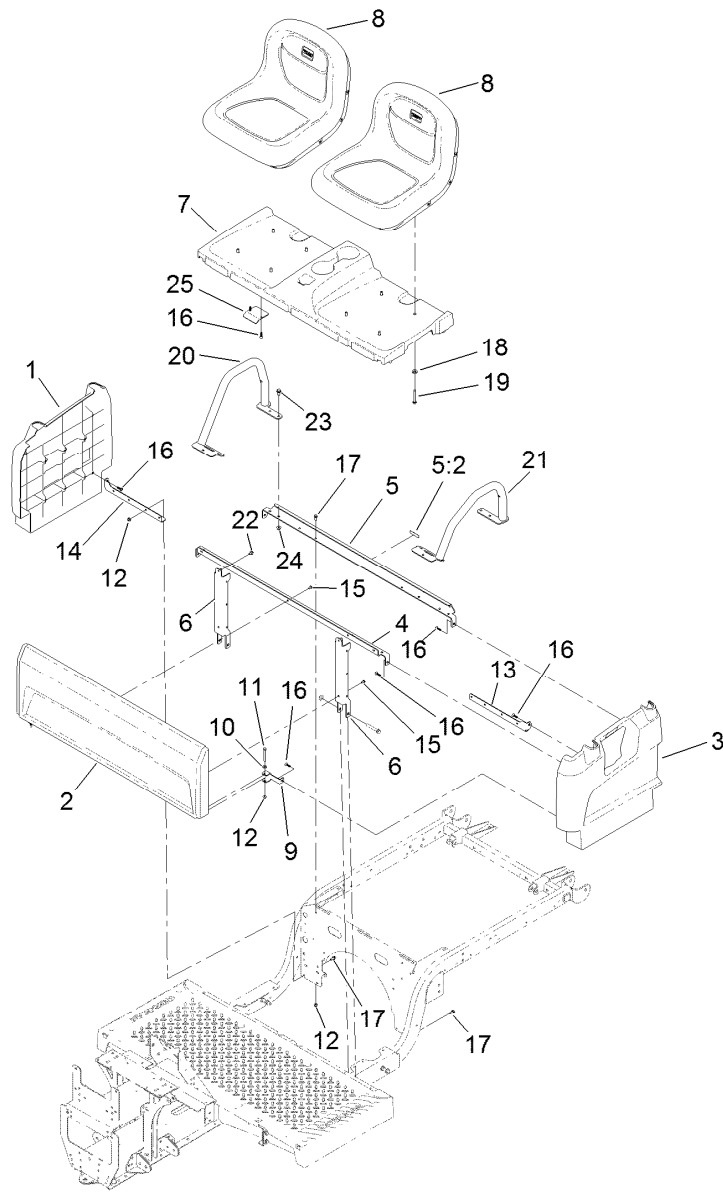
Hood and Fender Assembly

<i>Ref.</i>	<i>Part Number</i>	<i>Qty.</i>	<i>Description</i>	<i>Ref.</i>	<i>Part Number</i>	<i>Qty.</i>	<i>Description</i>
1	132-8530	1	Bumper	12	127-7771	1	Fender-Front, LH
2	131-8455-03	1	Bracket-Headlight, LH	13	127-7772	1	Fender-Front, RH
3	131-8456-03	1	Bracket-Headlight, RH	14	3234-33	4	Screw-HHF
4	46-8091	8	Screw-HWH	15	3256-2	4	Washer-Flat
5	132-6703	2	Headlight ASM	16	104-7201	4	Nut-Flange, NI
6	115-2408	6	Clip-Speed	17	32144-70	2	Screw-HWHTF
7	133-0567	1	Hood ASM	18	125-1122	2	Screw
7:2	115-7635	1	Seal-Foam	19	131-8402	2	Strap-Hold Down
8	117-5094	2	Pin-Clevis	20	3296-56	2	Nut-Lock, NI
9	32121-50	2	Pin-Spring	21	131-8516	2	Decal-Fender
10	112-3308	2	Retainer-Pin	22	133-0574	2	Bulb-Led
11	121-9605	6	Screw-HWH				



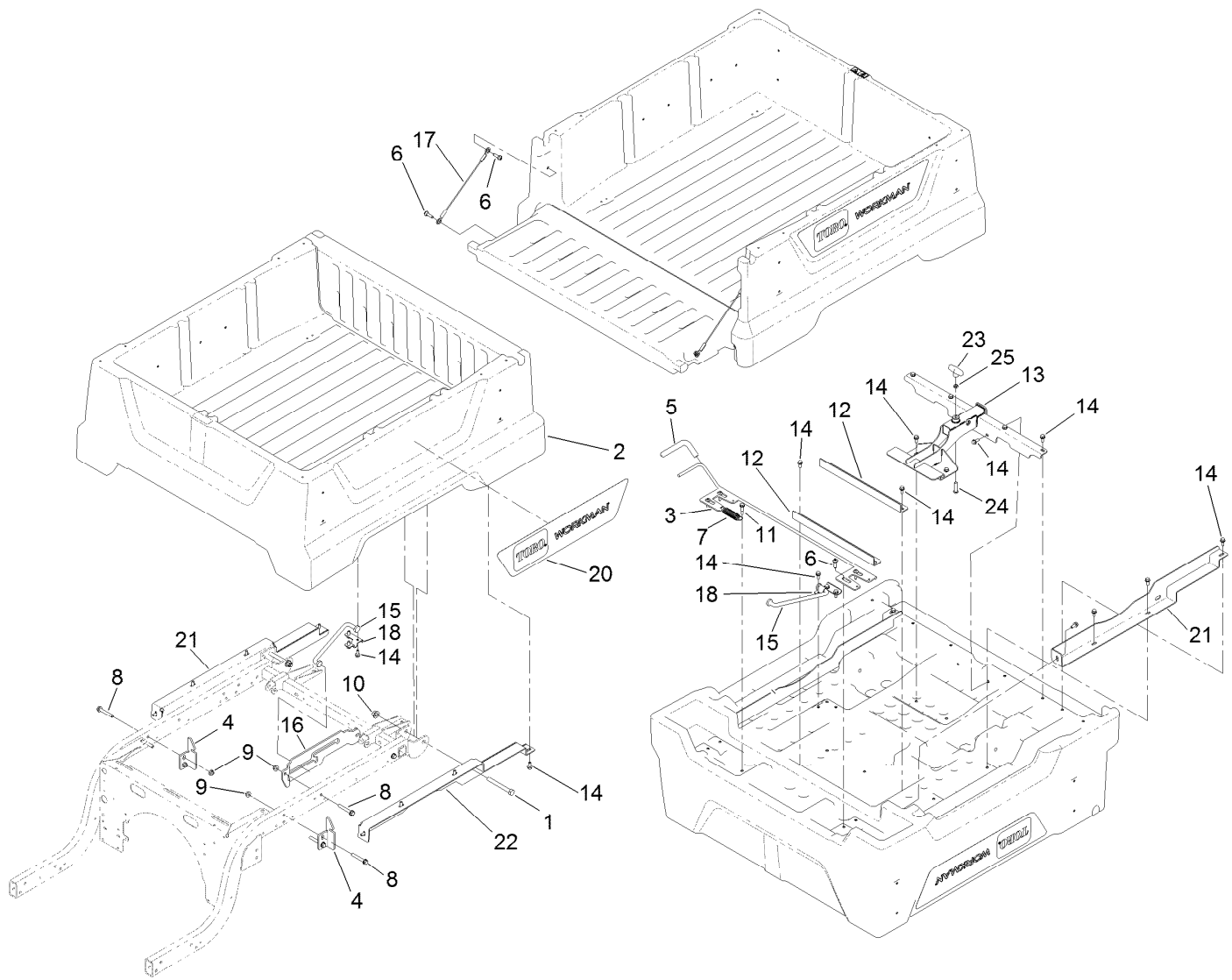
Dash Assembly

<i>Ref.</i>	<i>Part Number</i>	<i>Qty.</i>	<i>Description</i>	<i>Ref.</i>	<i>Part Number</i>	<i>Qty.</i>	<i>Description</i>
1	131-8593	1	Dash	12	32144-70	4	Screw-HWHTF
1:2	131-8414	1	Decal-Danger	13	131-8568-03	1	Reinforcement-Dash
2	127-7846	1	Footboard	14	49-2040	8	Screw-HWHTF
3	127-7847	1	Cover-Footboard	15	131-8411	1	Decal-Dashboard, Electric
4	107-7461	2	Screw-Plastite	16	131-8412	1	Decal-Control Panel, Electric
5	127-7831-03	1	Angle	18	131-8493	1	Decal-Usb
6	131-8336-03	1	Bracket-Dash, RH	19	131-8506	1	Decal-Status, Machine
7	131-8335-03	1	Bracket-Dash, LH	20	131-8569-03	2	Bracket-Dash, Side
9	132-6777	20	Screw-TTH	21	104-7201	2	Nut-Flange, NI
10	104-7201	4	Nut-Flange, NI				
11	3256-2	2	Washer-Flat				



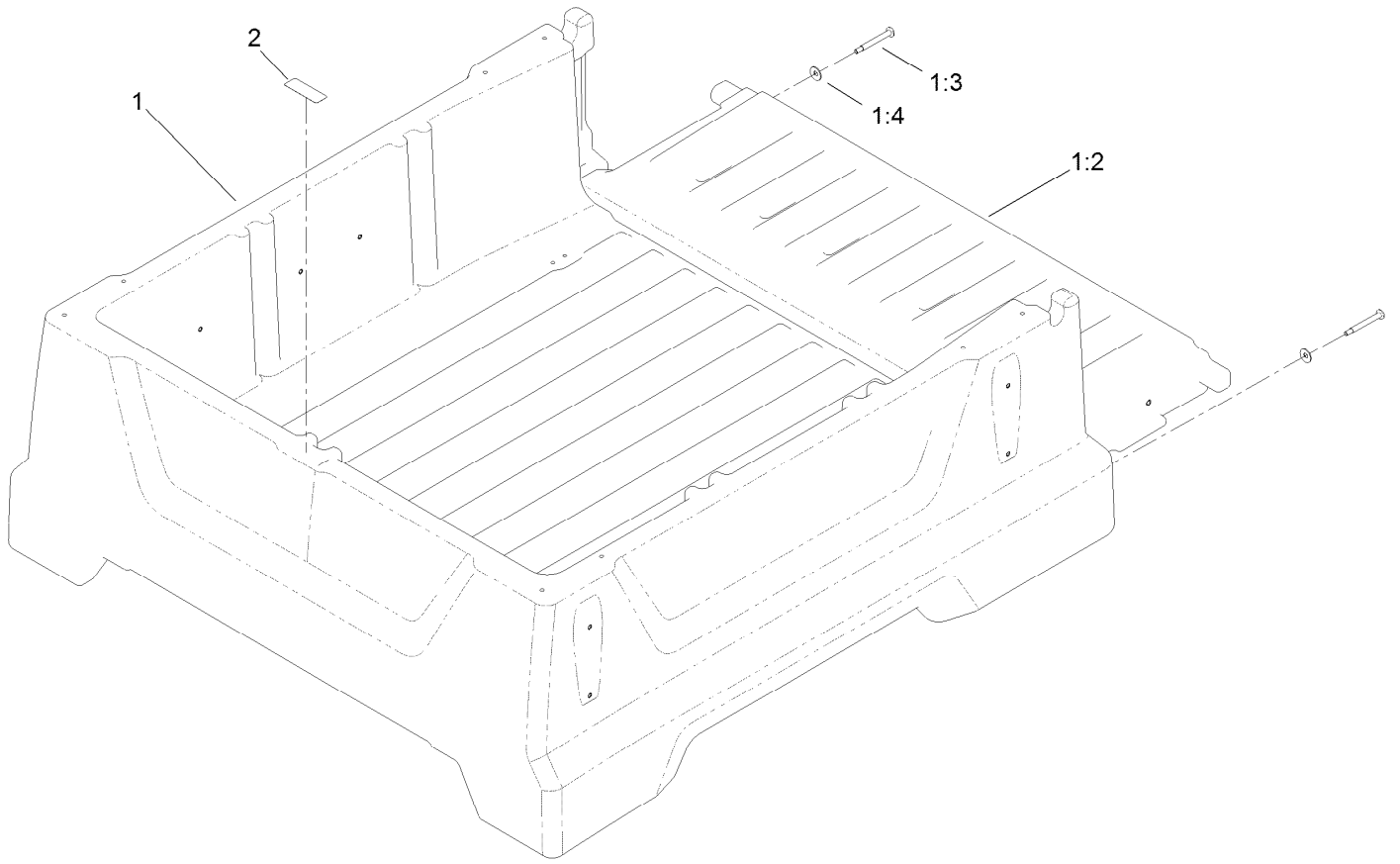
Seatbase Assembly

<i>Ref.</i>	<i>Part Number</i>	<i>Qty.</i>	<i>Description</i>	<i>Ref.</i>	<i>Part Number</i>	<i>Qty.</i>	<i>Description</i>
1	127-7805	1	Side-Base, Seat (RH)	13	127-7842-03	1	Bracket-Support, Side (LH)
2	127-7815	1	Panel-Base, Seat	14	127-7843-03	1	Bracket-Support, Side (RH)
3	127-7807	1	Side-Base, Seat (LH)	15	112-6349	5	Screw-HWH
4	127-7840-03	1	Angle-Support, Seat	16	120-2349	12	Screw
5	131-8596	1	Angle-Seat Support, Rear	17	3234-33	6	Screw-HHF
5:2	120-9570	1	Decal-Warning	18	3256-3	8	Washer-Flat
6	127-7841-03	2	Channel-Support, Seat	19	322-11	8	Screw-HH
7	127-7839	1	Base-Mount, Seat	20	131-8352-05	1	Restraint-Hip, RH
8	119-8828	2	Seat-15 Inch	21	131-8353-05	1	Restraint-Hip, LH
9	127-7844-03	2	Clamp-Plate, Floor	22	46-6810	2	Screw And Washer ASM
10	3256-22	2	Washer-Flat	23	32144-70	6	Screw-HWHTF
11	321-18	2	Screw-HH	24	104-8300	6	Nut-Flange, NI
12	104-7201	8	Nut-Flange, NI	25	131-8404	2	Bracket-Retainer



Cargo Bed Assembly

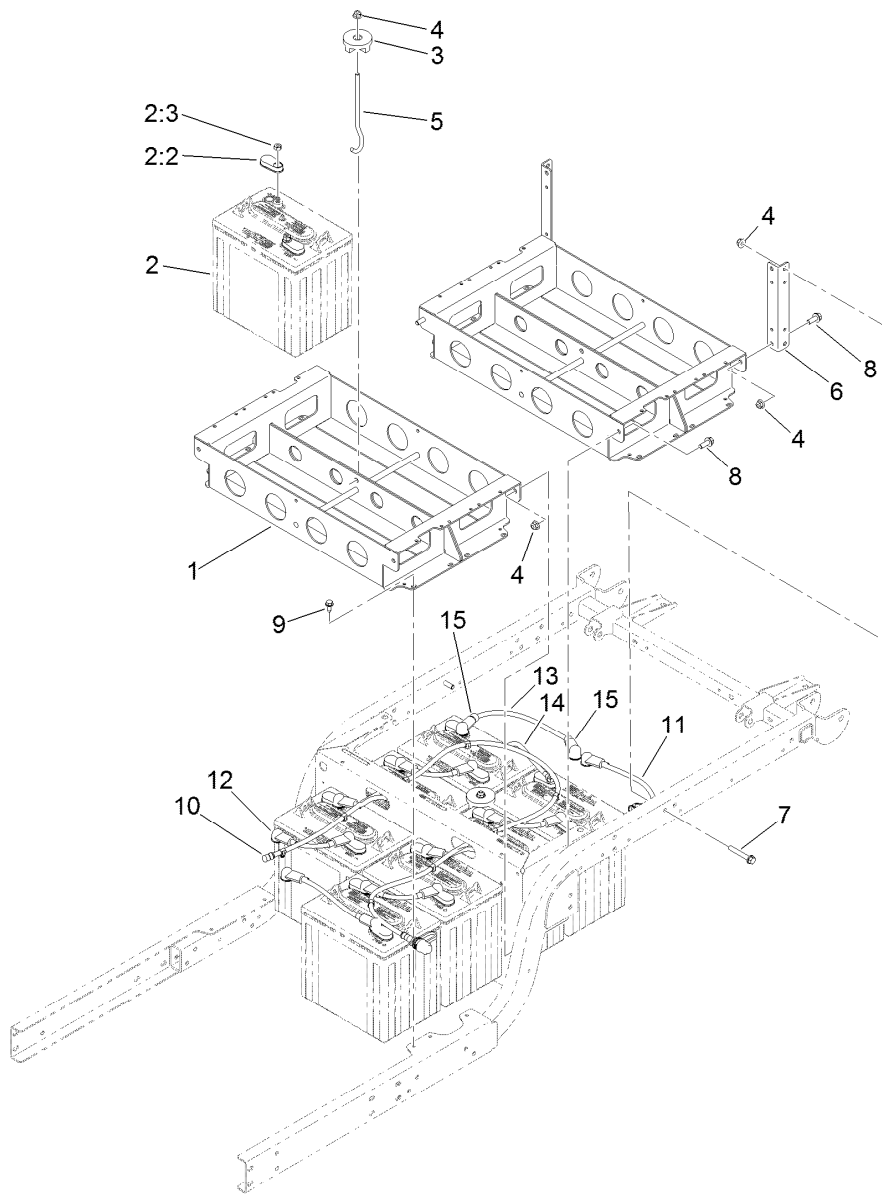
<i>Ref.</i>	<i>Part Number</i>	<i>Qty.</i>	<i>Description</i>	<i>Ref.</i>	<i>Part Number</i>	<i>Qty.</i>	<i>Description</i>
1	325-18	2	Screw-HH	13	132-8523-03	1	Attachment-Quick, Class 1
2	131-8592	1	Cargo Bed And Tailgate ASM	14	3234-5	25	Screw-HHF
3	132-8524	1	Latch ASM	15	132-8517	1	Rod-Prop
4	127-7428-03	2	Striker-Bed Latch	16	132-8518	1	Bracket-Prop Rod
5	132-8515	1	Grip-Handle	17	121-6343	2	Lanyard-Tailgate
6	119-2267	8	Screw-Shoulder, BHTF	18	132-0839	1	Bracket-U, Prop Rod
7	106-5598	1	Spring-Extension	20	132-8538	2	Decal-Workman
8	3234-39	6	Screw-HHF	21	133-3042-03	1	Support-Cargo Bed, RH
9	104-8301	6	Nut-Flange, NI	22	133-3043-03	1	Support-Cargo Bed, LH
10	99-5107	2	Nut-Lock	23	133-3056	1	Handle-T
11	116-8607	1	Screw-Shoulder	24	95-3857	1	Screw-HSBH
12	132-8526-03	2	Brace-Middle, Bed	25	3218-3	1	Nut-Jam



Cargo Bed and Tailgate Assembly No. 131-8592

<i>Ref.</i>	<i>Part Number</i>	<i>Qty.</i>	<i>Description</i>
1		1	Cargo Bed And Tailgate ASM ●
1:2	132-0841	1	Tailgate
1:3	133-7100	2	Screw-Shoulder, Bh (Torx)
1:4	3290-456	2	Washer-Belleville
2	115-7739	1	Decal-No Riders

● Not serviced separately

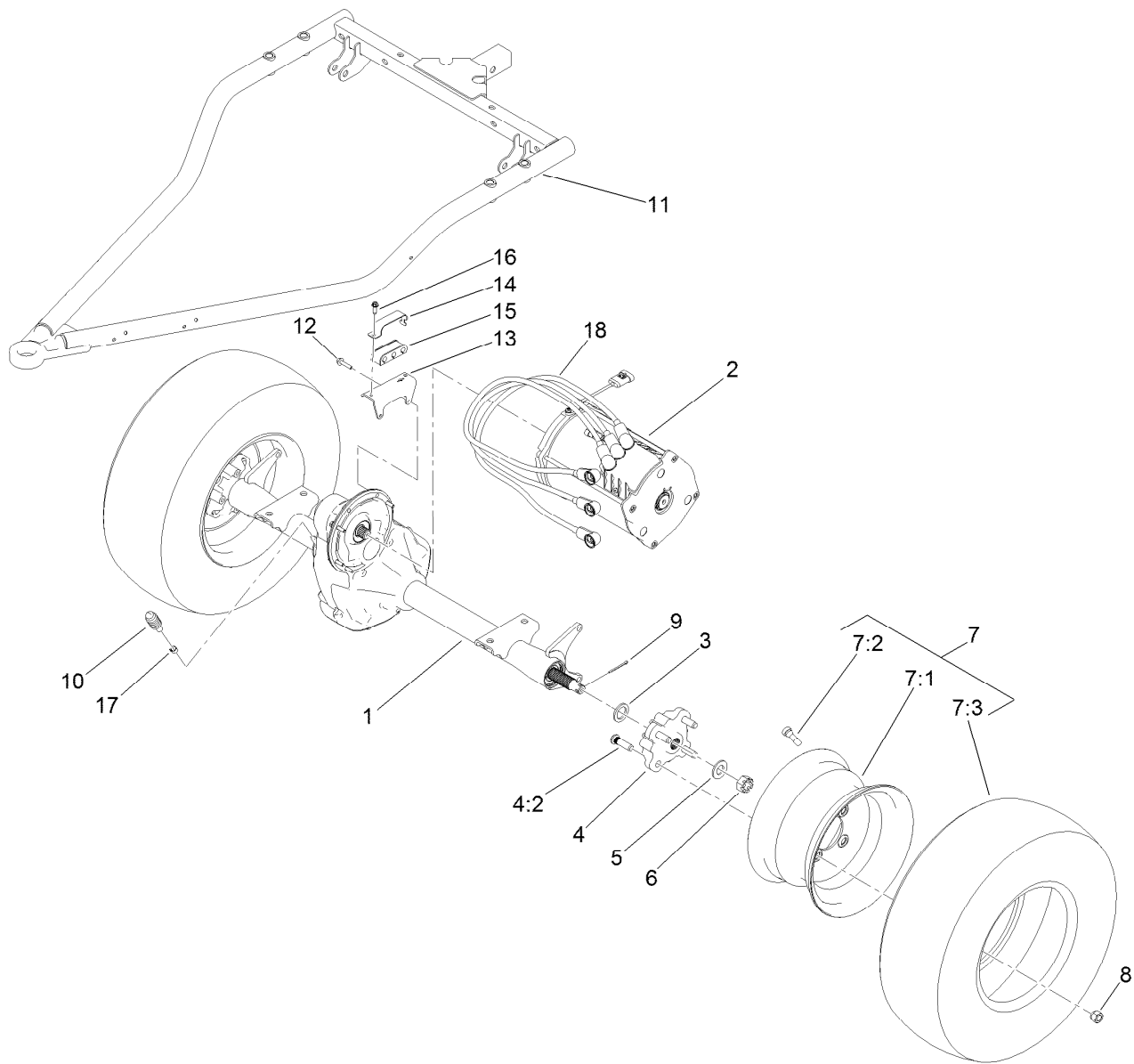


Battery Assembly

Ref.	Part Number	Qty.	Description	Ref.	Part Number	Qty.	Description
1	131-8300-03	2	Battery Tray ASM	9	32144-70	4	Screw-HWHTF
2		8	Battery-Lead Acid, Wet ■	10	131-8491	1	Watering Hose ASM
2:2	107-0289	2	Cover-Terminal, Battery	11	107-0739	2	Cable-Battery, Positive
2:3	107-0388	2	Nut	12	107-0738	6	Cable-Battery, Positive
3	104-7149	2	Hold Down ASM	13	122-0750	1	Cable-Battery, Positive
4	104-8301	8	Nut-Flange, NI	14	94-6168	1	Wire-Ground, Battery
5	131-8387	2	Rod-Battery Hold Down	15	32180-009	2	Insulator-Lug, Red
6	131-8302-03	2	Bracket-Box, Battery	99	107-0392	1	Protection-Terminal, Aerosol ●
7	3234-39	2	Screw-HHF				
8	3234-42	4	Screw-HHF				

● Not illustrated

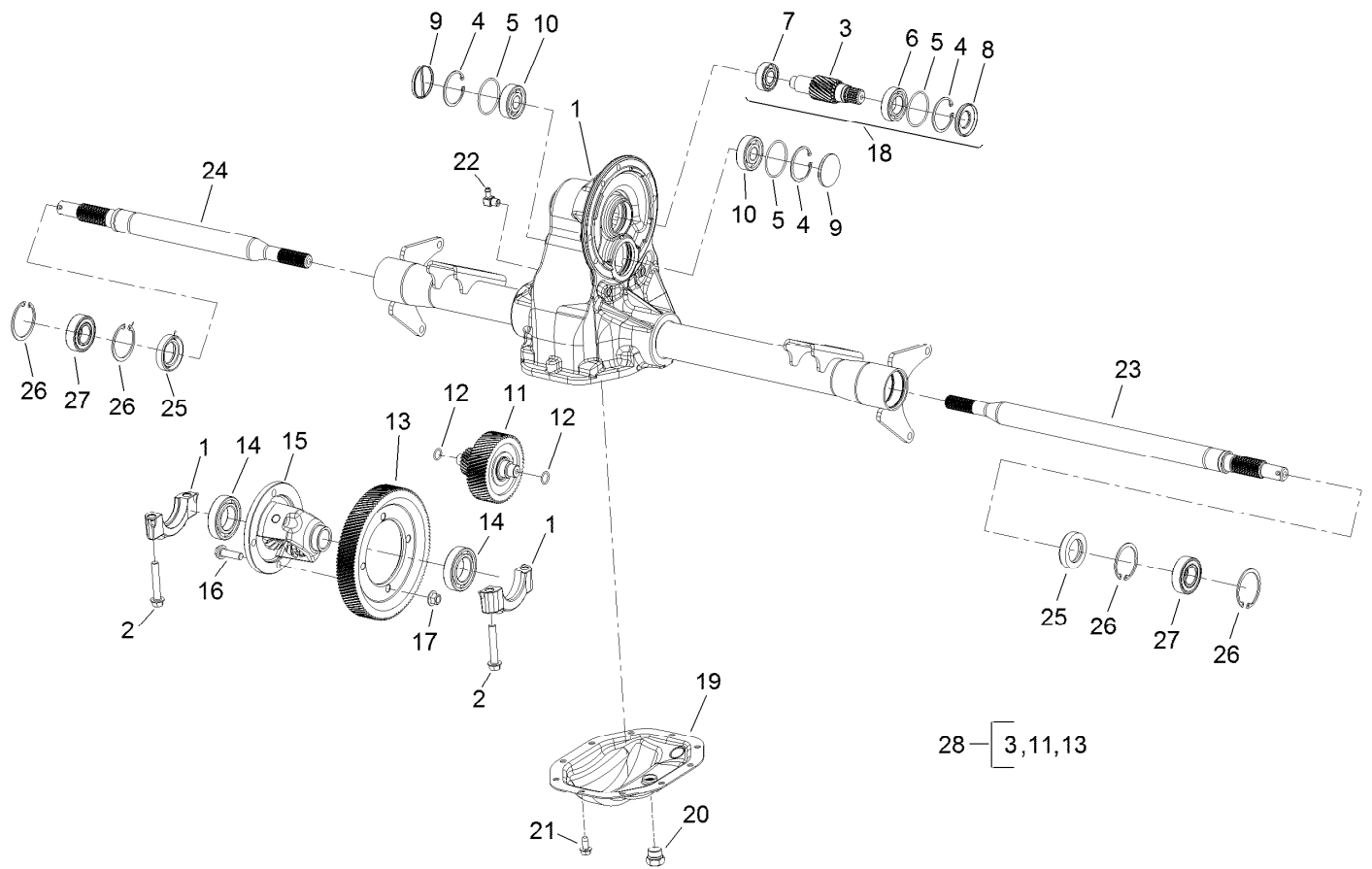
■ Not serviced separately



Rear Axle and Motor Assembly

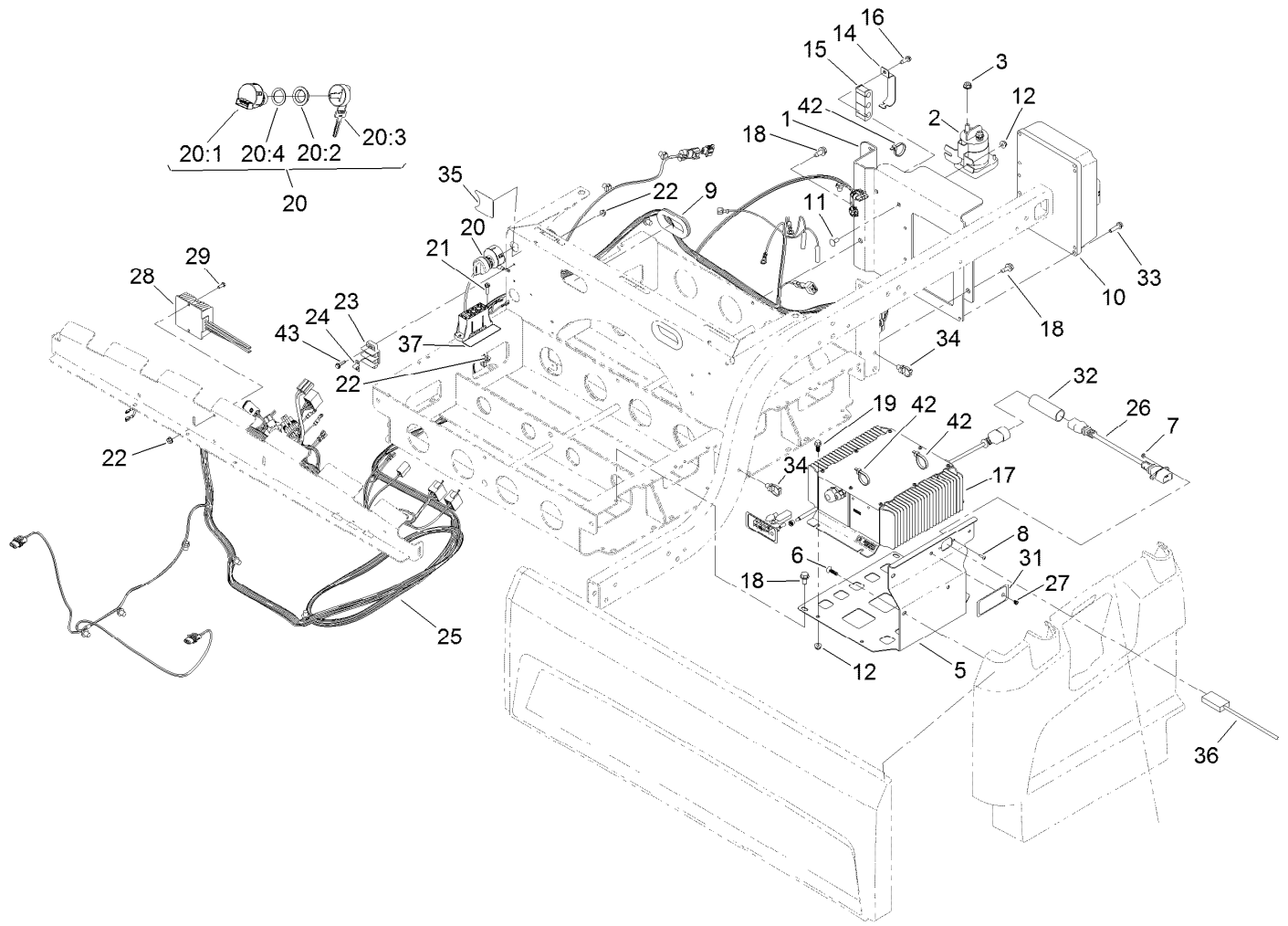
Ref.	Part Number	Qty.	Description	Ref.	Part Number	Qty.	Description
1	127-7439	1	Transaxle ASM	9	1-806800	2	Pin-Cotter
2	131-8485	1	Motor-Electric	10	127-8859	1	Bellows-Breather
3	131-8570	2	Spacer-Hardened	11	131-8340-03	1	Swing Arm ASM
4	127-8848	2	Rear Hub ASM	12	33103-030	6	Screw-HHF
4:2	10-6830	4	Stud-Type, Drive	13	131-8416	1	Bracket-Cable
5	92-5836	2	Washer	14	131-8482	1	Retainer-Isolator
6	32136-5	2	Nut-Hex, Slotted	15	131-8420	1	Isolator-Clamp
7	131-8319	2	Tire/Wheel ASM	16	49-2040	1	Screw-HWHTF
7:1	131-8317	1	Wheel	17	2412-146	1	Clamp-Hose
7:2	232-27	1	Stem-Valve	18	122-0743	3	Cable-Battery, Positive
7:3	131-8318	1	Tire	99	107-0392	1	Protection-Terminal, Aerosol
8	242-50	8	Nut-Lug				●

● Not illustrated



Transaxle Assembly No. 127-7439

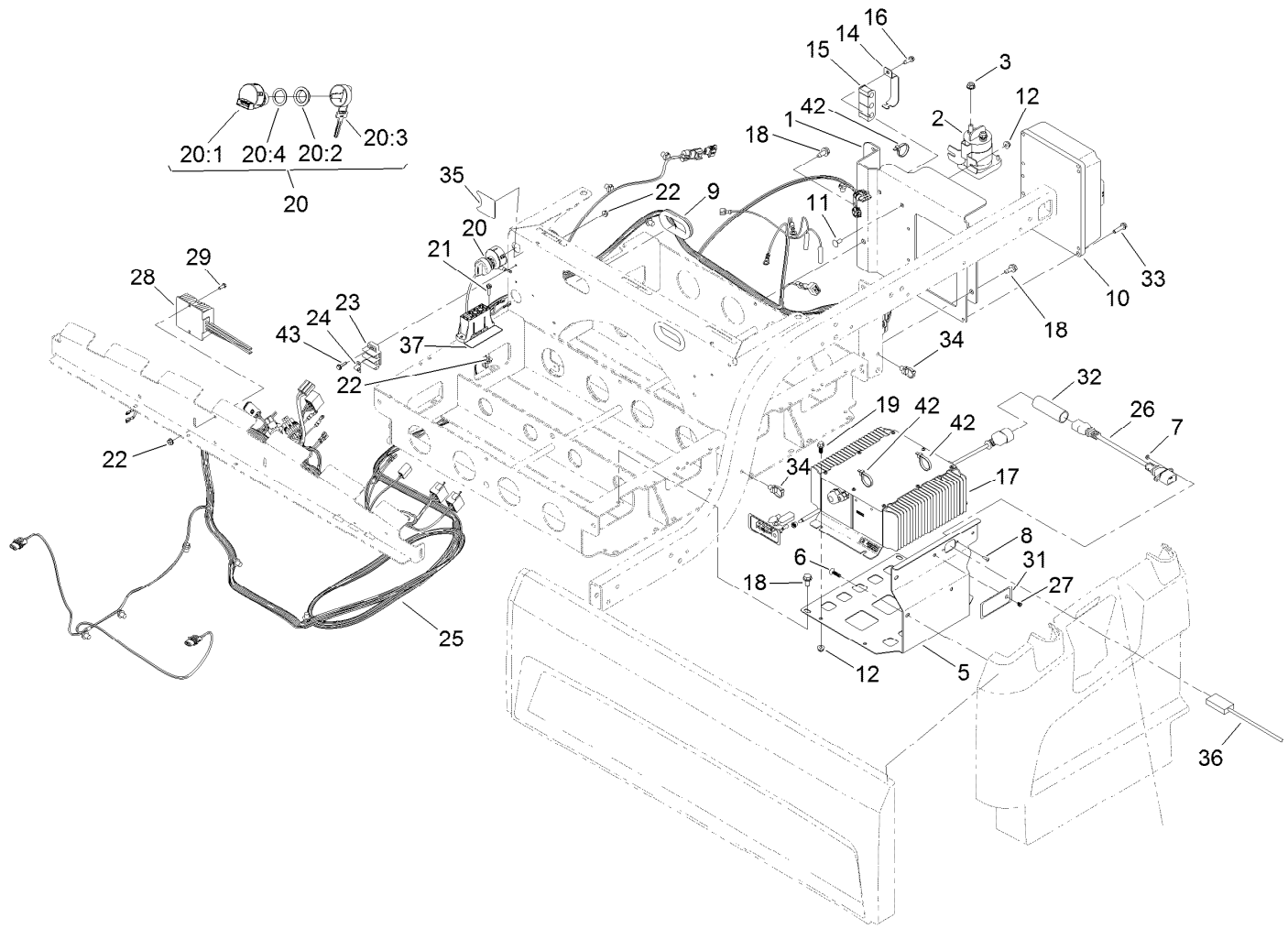
<i>Ref.</i>	<i>Part Number</i>	<i>Qty.</i>	<i>Description</i>	<i>Ref.</i>	<i>Part Number</i>	<i>Qty.</i>	<i>Description</i>
1	133-2447	1	Housing-Axle	15	133-2461	1	Differential ASM
2	133-2448	4	Bolt-Cap, Bearing	16	133-2462	4	Bolt-HHF
3	133-2485	1	Gear-Input	17	133-2463	4	Nut-Lock
4	133-2450	3	Ring-Retaining	18	133-2487	1	Input Gear Kit
5	133-2451	3	O-Ring	19	133-2465	1	Plate-Cover
6	133-2452	1	Bearing-Ball	20	133-2466	1	Plug-HH
7	133-2453	1	Bearing-Ball	21	133-2467	10	Screw-Tapping
8	133-2454	1	Seal-Oil	22	133-2468	1	Elbow-Hose
9	133-2455	2	Plug-Cap, End	23	133-2469	1	Shaft-Axle, LH
10	133-2456	2	Bearing-Ball	24	133-2470	1	Shaft-Axle, RH
11	133-2486	1	Intermediate Gear ASM	25	133-2471	2	Seal-Oil
12	133-2458	2	O-Ring	26	133-2472	4	Ring-Retaining
13	133-2459	1	Gear-Drive, Final	27	133-2488	2	Bearing-Ball
14	133-2460	2	Bearing-Ball	28	133-2489	1	Internal Gears Kit



Controller Assembly

Ref.	Part Number	Qty.	Description	Ref.	Part Number	Qty.	Description
1	131-8415-03	1	Bracket-Controller	20:1		1	Switch-Key ●
2	104-7136	1	Contactora-48V	20:2	108-8660	1	Nut-Mounting
3	107-0380	2	Nut-HHF	20:3	110-5221	1	Set-Key, Supervisor
5	131-8483-03	1	Bracket-Charger	20:4	108-8659	1	Washer-Backup
6	120-2349	4	Screw	21	32105-13	2	Screw-HWH
7	3296-9	2	Nut-Lock	22	3290-148	4	Nut-HF
8	3249-3	2	Screw-PRH	23	42862	1	Block-Terminal, Ground
9	240-12	2	Grommet	24	42863	1	Strip-Jumper
10	127-2767	1	Controller-Sevcon	25	122-0524	1	Harness-Wire, 48V Vehicle
11	3229-11	2	Screw-CARR	26	131-8497	1	Cordset
12	104-7201	6	Nut-Flange, NI	27	131-8499	1	Holder-Led
14	131-8482	1	Retainer-Isolator	28	131-8509	1	Converter-48V To 12V
15	131-8420	1	Isolator-Clamp	29	32105-8	2	Screw-SHH
16	49-2040	1	Screw-HWHTF	31	131-8495	1	Decal-Function, Charger
17	131-8490	1	Charger-48V Onboard	32	107-0341	1	Tube-Shrink, Heat
18	32144-70	5	Screw-HWHTF	33	32144-86	4	Screw-HWHTF
19	99-6810	4	Screw-HHF	34	32180-030	3	Clip-Tie
20	110-2580	1	Switch-Key, Supervisor	35	131-8527	1	Decal-Mode

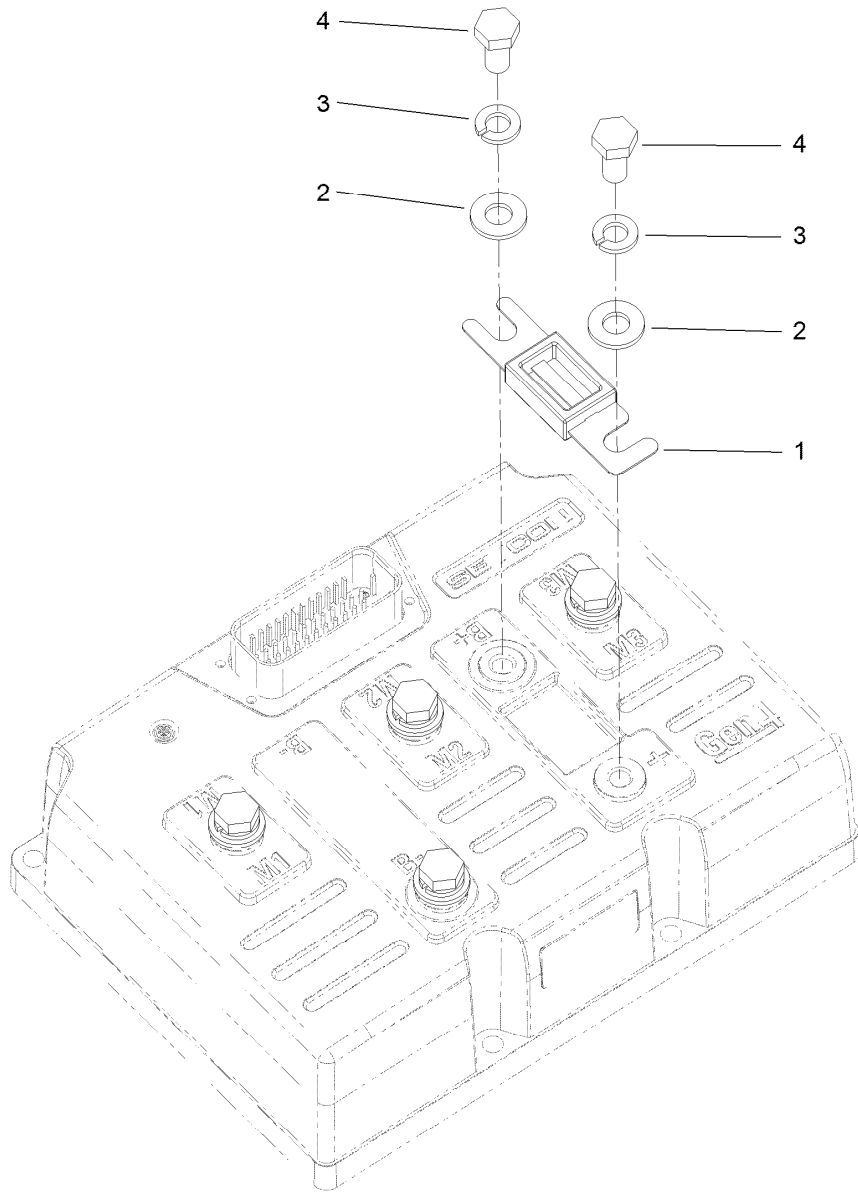
● Not serviced separately



Controller Assembly (continued)

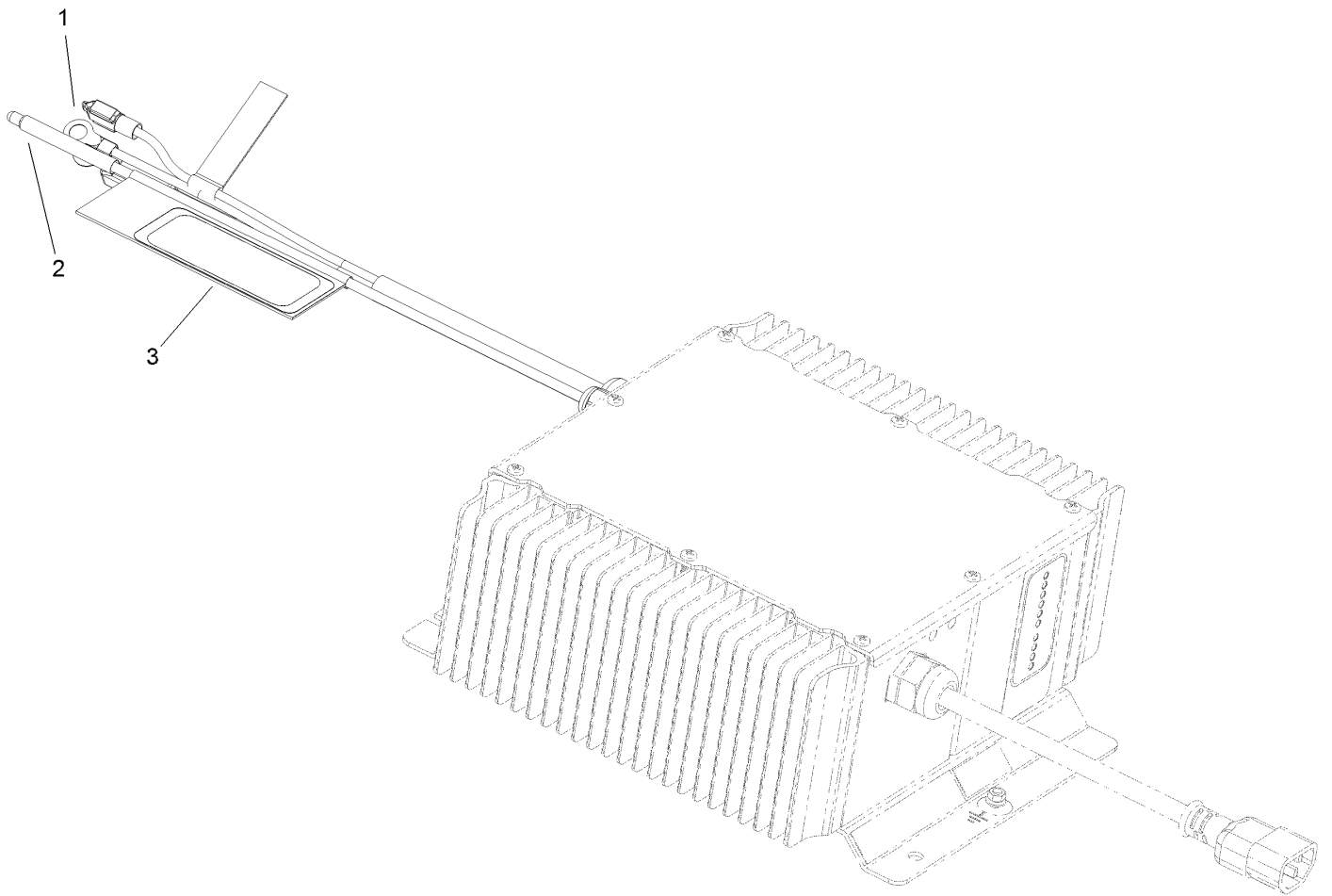
<i>Ref.</i>	<i>Part Number</i>	<i>Qty.</i>	<i>Description</i>	<i>Ref.</i>	<i>Part Number</i>	<i>Qty.</i>	<i>Description</i>
36	107-0382	1	Powercord-Ac, Europe	37	131-8551	1	Decal-Fuse Block, 48V
36	107-0383	1	Powercord-Ac, U.K.	42	3290-379	3	Tie-Cable
36	107-0384	1	Powercord-Ac	43	100-4351	2	Screw-HWH

● Not serviced separately



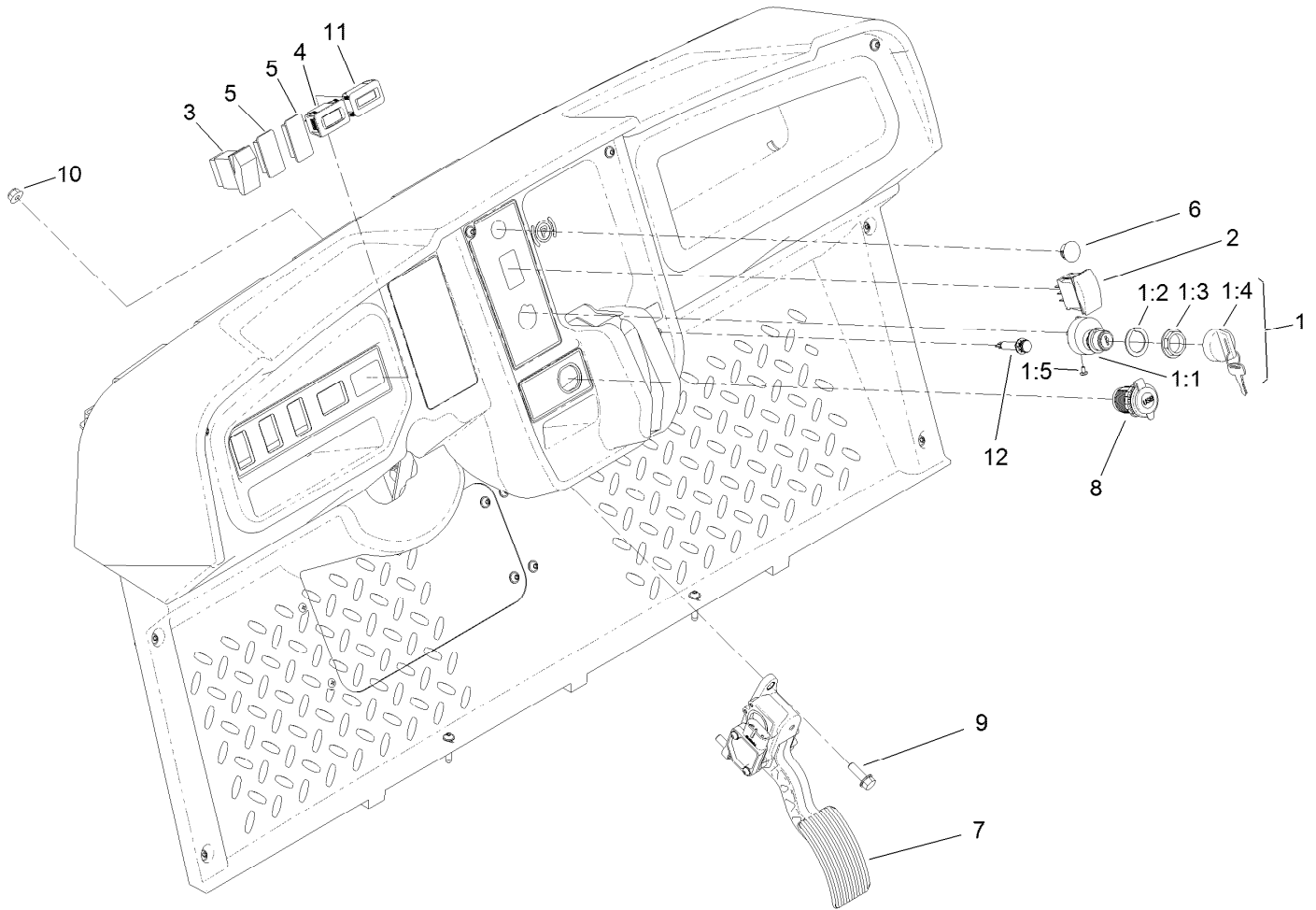
Sevcon Controller Assembly No. 127-2767

<i>Ref.</i>	<i>Part Number</i>	<i>Qty.</i>	<i>Description</i>
1	131-8494	1	Fuse-425 Amp
2	33094-00	6	Washer-Plain
3	3253-4	6	Washer-Lock
4	33114-016	6	Screw-HH



Onboard Charger Assembly No. 131-8490

<i>Ref.</i>	<i>Part Number</i>	<i>Qty.</i>	<i>Description</i>
1	131-8511	1	Thermister Repair Kit
2	131-8512	1	Remote Led
3	131-8495	1	Decal-Function, Charger



Accelerator Pedal and Key Switch Assembly

Ref.	Part Number	Qty.	Description	Ref.	Part Number	Qty.	Description
1	120-4815	1	Switch-Key, 48V	5	99-7420	2	Plug-Hole
1:1		1	Switch-Key ●	6	94-5627	1	Plug
1:2	108-8659	1	Washer-Backup	7	121-9675	1	Accelerator Pedal ASM
1:3	108-8660	1	Nut-Mounting	8	131-8388	1	Socket-Usb
1:4	106-5270	1	Ignition Key Set	9	3234-29	3	Screw-HHF
1:5	3250-28	3	Screw	10	104-8300	3	Nut-Flange, NI
2	122-0784	1	Switch-Rocker, On-Off-On	11	131-8381	1	Gauge-Battery
3	95-8999	1	Switch	12	131-8383	1	Light-Indicator
4	120-2244	1	Hourmeter				

● Not serviced separately

Attachments and Accessories

For 07131 Workman GTX Electric Utility Vehicle

Product Name	Model/Part
Multi-passenger Kit.....	07133
Bucket Seat Base Kit.....	07134
Bench Seat Base Kit.....	07135
48V Electric Lift Kit.....	07143
Brush Guard Kit.....	07145
Front Hitch Kit, Workman GTX Series Utility Vehicles with Brush Guard.....	07146
Front Hitch Kit, Workman GTX or MDX Series Utility Vehicles without Brush Guard.....	07147
Steel Flat Bed Kit.....	07148
Extended Bed Kit.....	07149
Storage Box Kit.....	07156
Ball Picker Mounting Bracket Kit.....	07157
Walk Spreader Mounting Kit.....	07029
6in L-Track Kit.....	07158
2in L-Track Kit.....	07159
Hose Reel Mounting Kit.....	07027
Class 1 Draw Bar Kit.....	133-3095
Aggressive Tire Kit.....	07423
Hand Pump Hose Asm.....	131-8522
Horn Kit.....	133-3017
Reverse Alarm Kit.....	131-8549
Power Converter Kit.....	133-0959
Trash Can Mounting Kit.....	07028
Bed Rack Kit.....	07031
Cab Kit.....	07142
Canopy Kit.....	07140
Canopy Kit, Multi-passenger Workman GTX Utility Vehicle.....	07141
Mount-Ball.....	133-7116
Brake and Signal Light Kit.....	133-7127
Road Light and Homologation Kit.....	133-7128
48V 6 Foot Bed Electric Lift Kit.....	07168

Notes:



Count on it.