

MASTERS SERIES

FIRESTONE

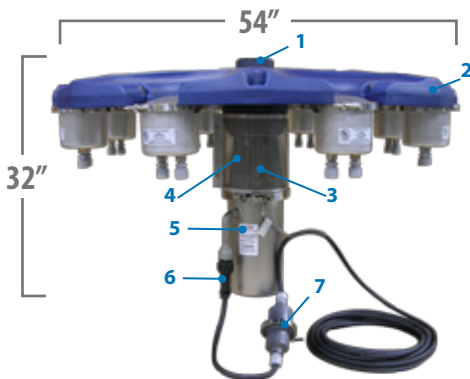
STRAIGHTENED FLOW PATTERN (SFP)

VERTICAL OR HORIZONTAL

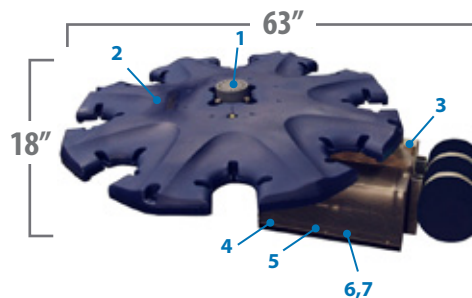


HORSEPOWER	1	2	3 & 3½	5	7½	10
HT ft UPPER	11	13	15	18	21	24
HT x DIA ft MIDDLE	5 x 10	6 x 12	7.5 x 18	11 x 20	13 x 27	16 x 28
HT x DIA ft LOWER	2 x 18	3 x 20	4 x 24	5.5 x 28	6 x 40	8 x 65
ELECTRICAL RATING Ph VOLTAGE AMPS	1 120 19	1 208-240 12.6	1 (3½HP) 208-240 15.2	1 208-240 27.1	1 220-240 42	1 220-240 60
	1 208-240 9.6	3 208-240 6.3	3 (3HP) 208-240 10.1	3 208-240 18	3 208-240 26.4	3 208-240 36
	3 208-240 5.4	3 440-480 3.1	3 (3HP) 440-480 5.1	3 440-480 9	3 440-480 13.2	3 440-480 18
HT m UPPER	3	3.5	5.2	6.1	6.4	10.3
HT x DIA m MIDDLE	1.5 x 3	1.7 x 3.2	2.1 x 4	3.1 x 6.1	4 x 8	4.9 x 8.4
HT x DIA m LOWER	0.6 x 3.3	0.5 x 3.6	0.6 x 4.6	1.1 x 8	1.7 x 12	2.4 x 19.8
ELECTRICAL RATING Ph VOLTAGE AMPS	1 220-230 8	1 208-230 10.5	1 220-230 19	1 208-230 24	3 380-415 12	3 380-415 18
	3 380-415 2.6	3 380-415 3.7	3 380-415 5	3 380-415 8		

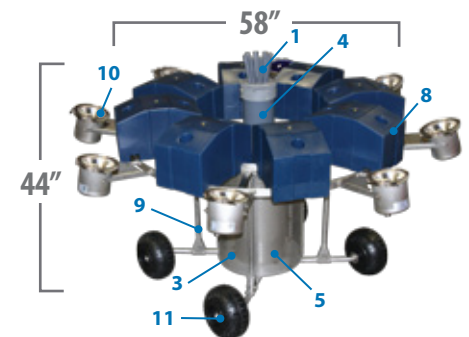
MASTERS SERIES® DESIGN TYPES



1 - 5 HP Masters Series Vertical Design
(Min. Operating Depth - 3ft.)



1 - 5 HP Masters Series Horizontal Design
(Min. Operating Depth - 16in.)



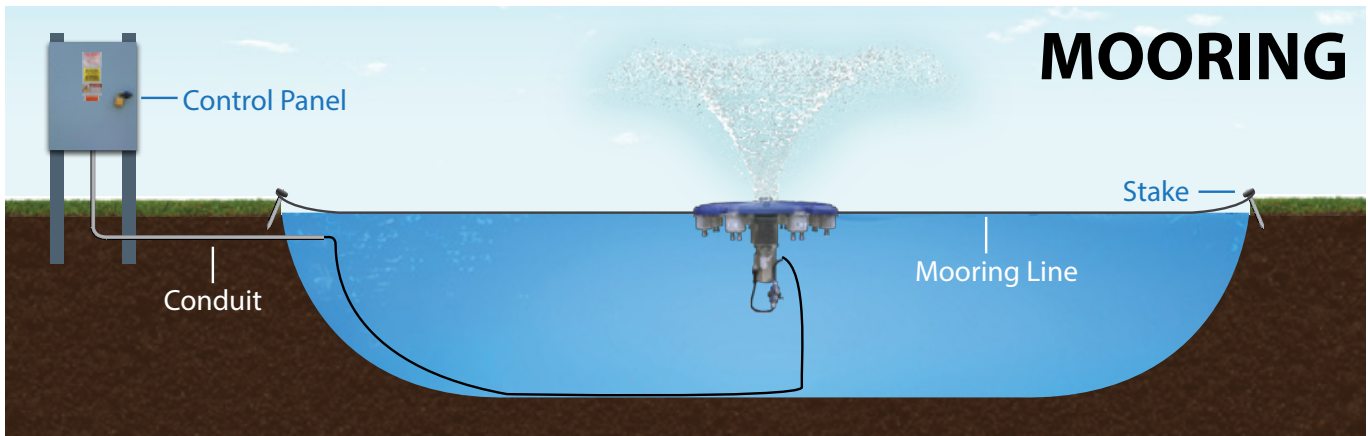
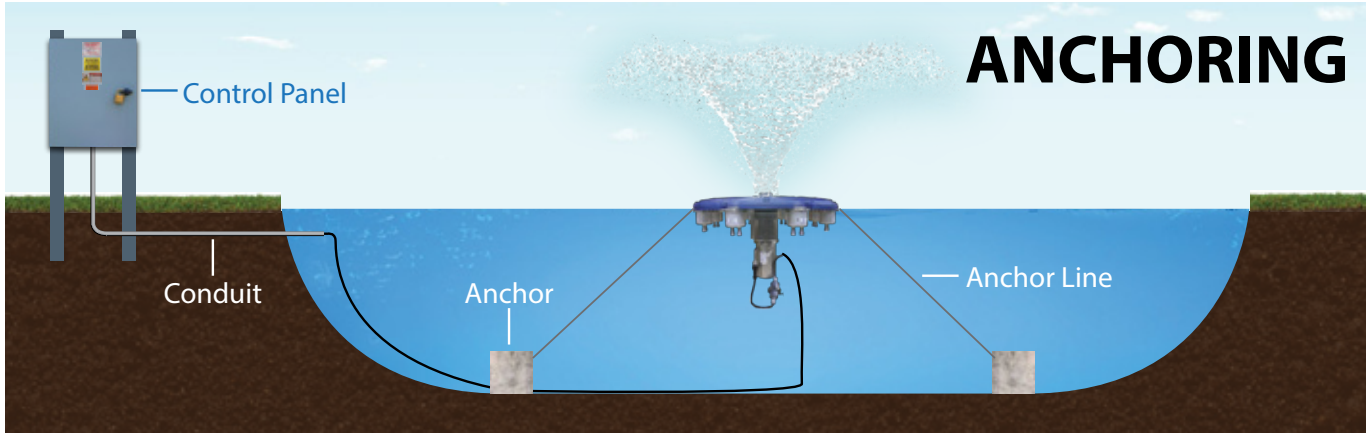
7.5 - 10 HP Masters Series Cart Design
(Min. Operating Depth - 4ft.)

- 1 - Interchangeable nozzles
- 2 - Low profile float design with recessed pockets for LED & RGBW Lighting
- 3 - Stainless steel intake screen
- 4 - Patented, high-efficiency molded composite impeller system
- 5 - Exclusive custom-designed oil-cooled energy efficient motors with stainless steel motor housing and top plate

- 6 - AquaLock Connector (ALC) electrical quick disconnect
- 7 - Exclusive underwater cable disconnect
- 8 - Individual high density polyethylene floats are in-water adjustable
- 9 - Rugged stainless steel compact cart design
- 10 - Adjustable Night Glow LED or RGBW Lighting
- 11 - Oversized floatation type tires for ease of launching

MASTERS SERIES

INSTALLATION



CONTROL PANEL



CONTROL PANEL COMPONENTS

- Outdoor rated, lockable enclosure constructed of galvanized steel powder coated gray
- Standard enclosure size 16" x 16" x 6" for 1-5HP and 24" x 20" x 6" for 7.5-10HP
- Overcurrent protection
- Ground fault protection
- Motor contactor and overload
- Capacitors (single phase only)
- Digital timers with battery backup
- LED lighting circuit included in all control panels
- Custom Control Panels for multiple units and options available

