



Count on it.

Parts Catalog

Topdresser 2500

Model No. 44507—Serial No. 310000001 and Up

Ordering Replacement Parts

To order replacement parts, please supply the part number, the quantity, and the description of each part desired.

Understanding Reference Numbers

Each identified part in an illustration has a reference number. The reference number for a part also appears in the parts list, along with other information about the part.

This catalog uses two special reference number formats, one to indicate parts in a service assembly and another to indicate the quantity of a given part in an illustration.

Service Assembly Reference Numbers

Parts in service assemblies have reference numbers in the form a:b. The a represents the reference number of the entire service assembly and the b represents a sequential number unique to each part within the service assembly.

For example, a wheel assembly might be identified by reference number 6, the tire by 6:1, the valve by 6:2, and the wheel by 6:3. When you order the assembly identified by reference number 6, you receive all parts identified by reference numbers 6:1, 6:2, and 6:3. However, you may also order any part individually. Reference numbers of this type appear in illustration and in parts lists.

Reference Numbers Indicating Quantity

In an illustration, if a reference number indicates more than one part, the reference number has the form nX y. The n represents the quantity of the part, the X is the multiplication symbol, and the y represents the reference number.

For example, in an illustration, the reference number 2X 37 means that two of the parts identified by reference number 37 are indicated.

List of Abbreviations

AR: as required

ASM: assembly

BBC: blade brake clutch

CARR: carriage

CCW: counter clock wise

CW: clockwise

DEG: degrees

ECM: electronic control module

EXT: external

FH: flat head

GA: gauge

HD: heavy-duty

HF: hex flange

HH: hex head

HHF: hex head flange

HHFTF: hex head flange thread forming

HJ: hex jam

HLH: hex lag head

HOC: height-of-cut

HSBH: hex socket button head

HSFH: hex socket flat head

HSH: hex socket head

HWH: hex washer head

HWHTF: hex washer head thread forming

HYD: hydraulic

LH: left hand

NI: nylon insert

NPTF: national pipe thread fine

PFH: phillips flat head

PPH: phillips pan head

PPHTF: phillips pan head thread forming

PRH: phillips round head

PTH: phillips truss head

PTO: power-take-off

RH: right hand

ROPS: roll-over protection system

RRB: rear roller brush

SFH: slotted fillister head

SHH: slotted hex head

SHWH: slotted hex washer head

SPH: slotted pan head

SQH: square head

SRH: slotted round head

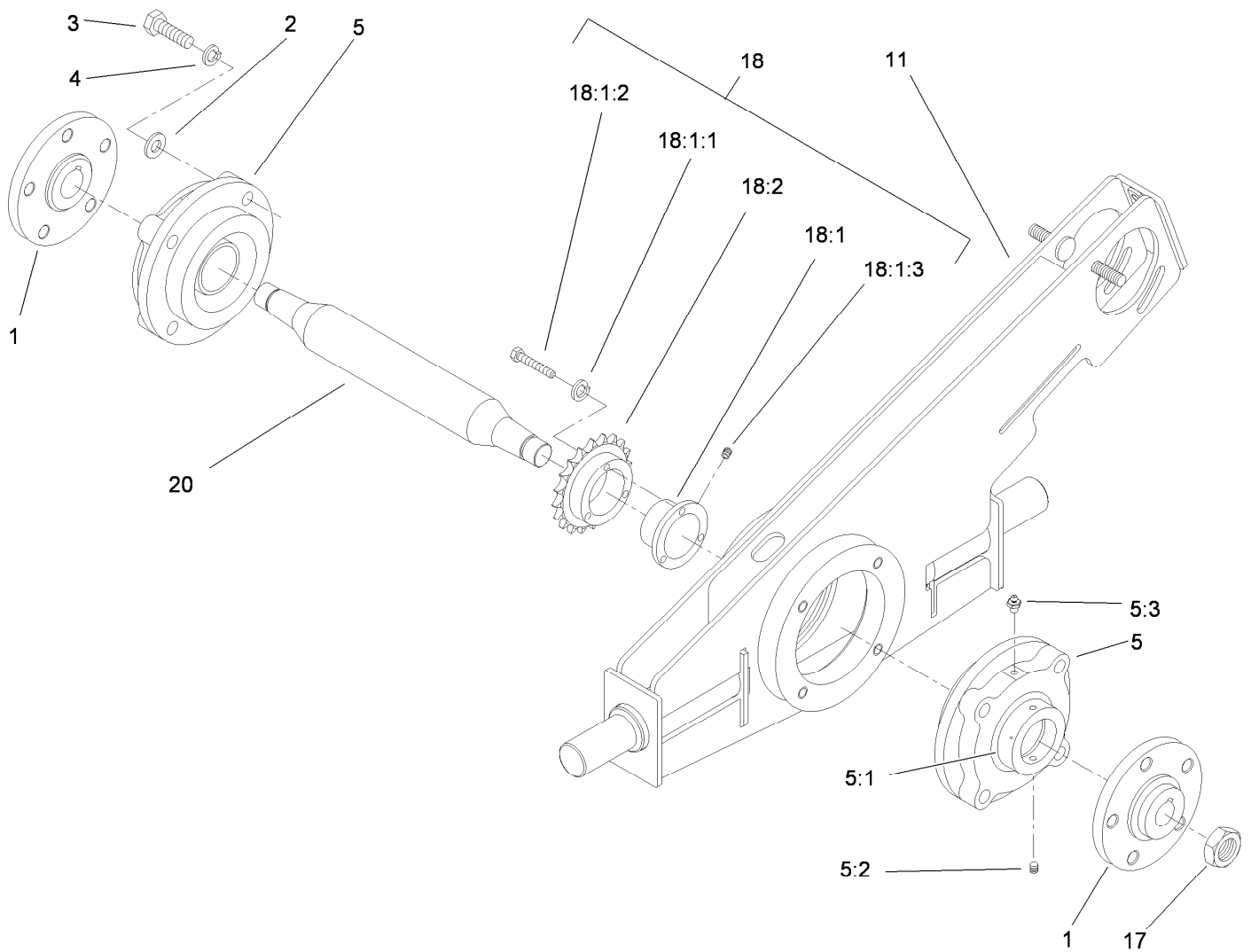
STD: standard

TAP: self tapping

TTH: torx truss head

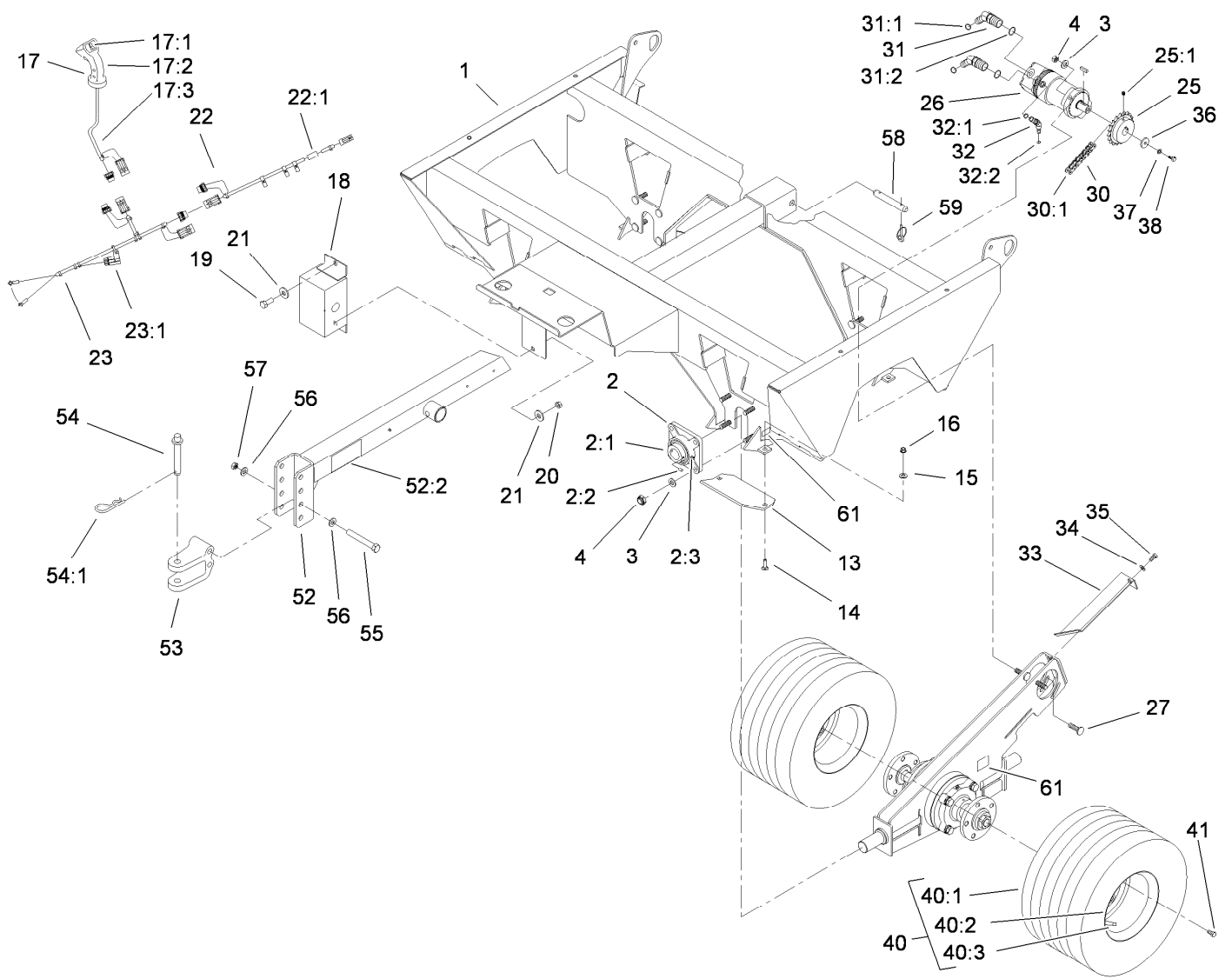
Contents

Cradle Assembly	4
Cradle and Trailer Assembly	5
Hydraulic Motor Assembly No. 100-1459	7
Hydraulic Manifold Assembly	8
Hydraulic Installation Assembly	9
Slider Bed and Roller Assembly	10
Gate Assembly	11
Brush and Motor Assembly	12
Hopper Assembly	14
Gate Slide and Brush Guard Assembly	15
Chain, Sprocket and Guard Assembly	16



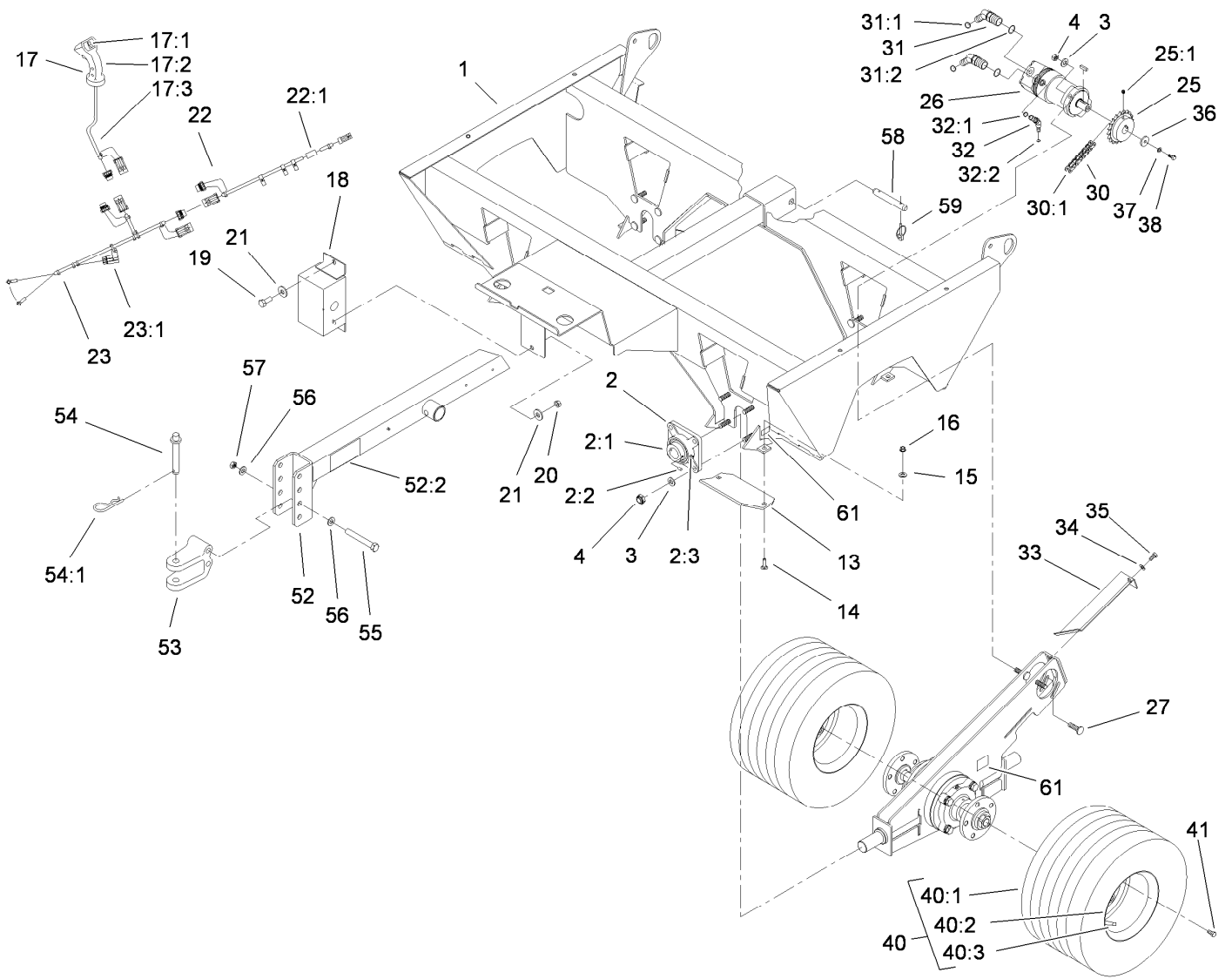
Cradle Assembly

<i>Ref.</i>	<i>Part Number</i>	<i>Qty.</i>	<i>Description</i>	<i>Ref.</i>	<i>Part Number</i>	<i>Qty.</i>	<i>Description</i>
1	100-1418-03	4	Hub	17	26-3790	4	Nut-Lock
2	3256-26	16	Washer-Flat	18	100-7690	2	Sprocket And Hub ASM
3	325-7	16	Screw-HH	18:1	100-7730	1	Bushing
4	3253-7	16	Washer-Lock	18:1:1	3253-18	3	Washer-Lock
5	100-1455	4	Bearing	18:1:2	32104-96	3	Screw-HH
5:1	99-0194	1	Collar-Locking	18:1:3	3245-9	1	Screw-Set
5:2	99-0195	1	Screw-Set, HSH	18:2	100-7731	1	Sprocket-Driven, 20 Tooth
5:3	302-2	1	Fitting-Grease	20	100-1490	2	Axle-Cradle
11	100-1488-03	2	Cradle ASM				



Cradle and Trailer Assembly

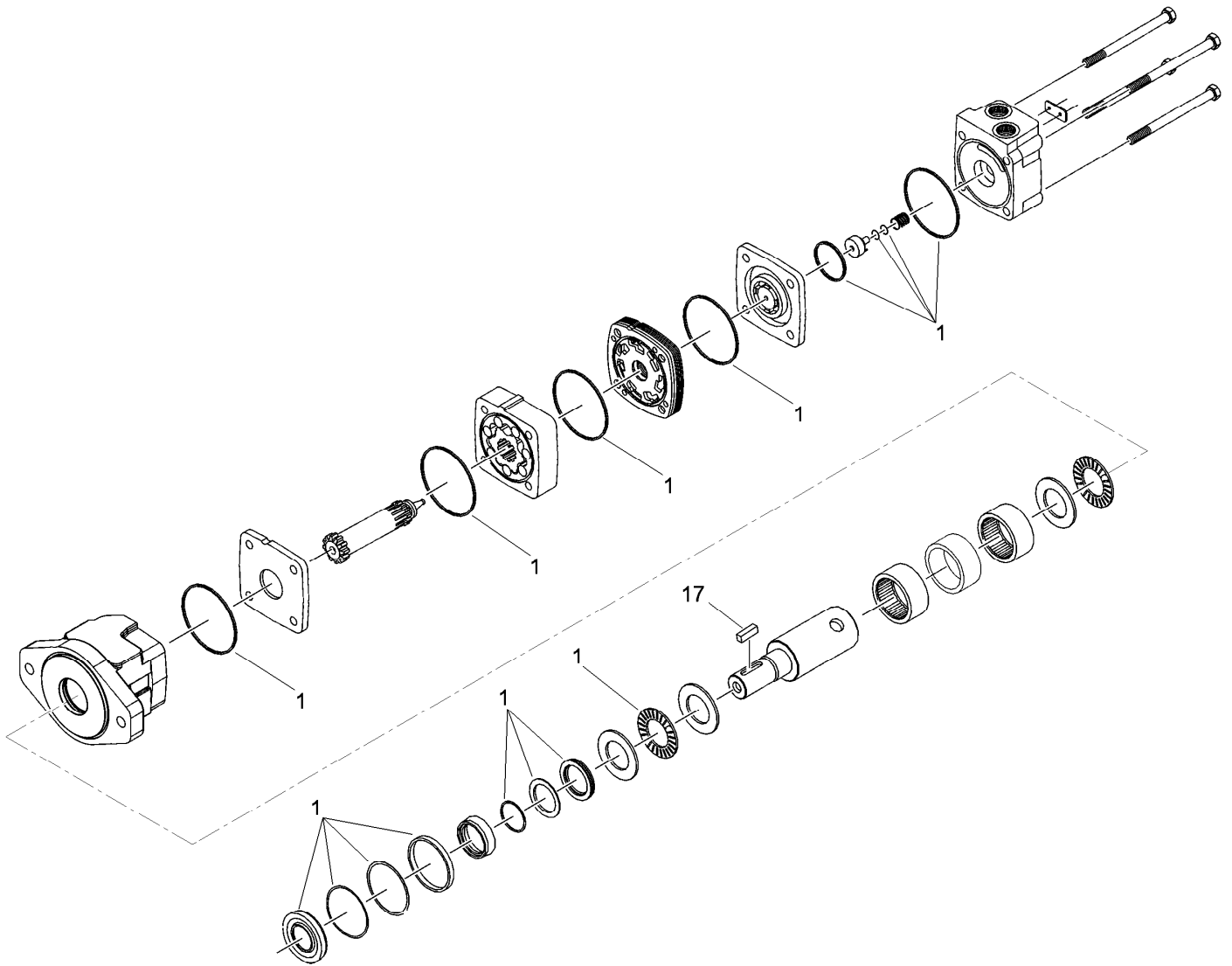
Ref.	Part Number	Qty.	Description	Ref.	Part Number	Qty.	Description
1	106-9671-01	1	Frame-Trailer	23	99-0198	1	Harness-Wire, Battery
2	100-1456	4	Bearing	23:1	110928	1	Fuse-5 Amp
2:1	01-172-0090	1	Collar-Lock	25	100-7691	2	Sprocket-Chain, Roller
2:2	3246-16	1	Screw-Set	25:1	3246-3	2	Screw-HSH
2:3	302-2	1	Fitting-Grease	26	100-1459	2	Motor-HYD
3	3256-26	20	Washer-Flat	27	100-7698	2	Bolt-Carriage
4	3296-23	20	Nut-Lock, NI	30	100-1472	2	Chain-Cradle, Roller
13	100-7678-01	4	Plate-Skid	30:1	2710-16	1	Link-Chain
14	3231-25	8	Screw-CARR	31	340-14	4	Fitting-HYD, 45 DEG
15	3256-25	8	Washer-Flat	31:1	237-65	1	O-Ring
16	3296-39	8	Nut-Lock, NI	31:2	237-80	1	O-Ring
17	106-9694	1	Handle-Control	32	340-103	2	Fitting-HYD, 45 DEG
17:1	106-9696	1	Switch-Rocker	32:1	237-78	1	O-Ring
17:2	106-9697	1	Handle	32:2	237-21	1	O-Ring
17:3	106-9695	1	Harness-Wire,Switch	33	100-1452-03	2	Cover-Cradle, Top
18	100-1410-03	1	Pump-Charge	34	3256-24	2	Washer-Flat
19	325-5	2	Screw-HH	35	323-4	2	Screw-HH
20	3296-45	2	Nut-Lock, NI	36	71-5320	2	Washer-Support, Engine
21	3256-6	4	Washer-Flat	37	3253-4	2	Washer-Lock
22	99-0008	1	Harness-Wire, Trailer	38	322-3	2	Screw-HH
22:1	100-4918	1	Diode	40	106-9690	4	Tire And Wheel ASM



Cradle and Trailer Assembly (continued)

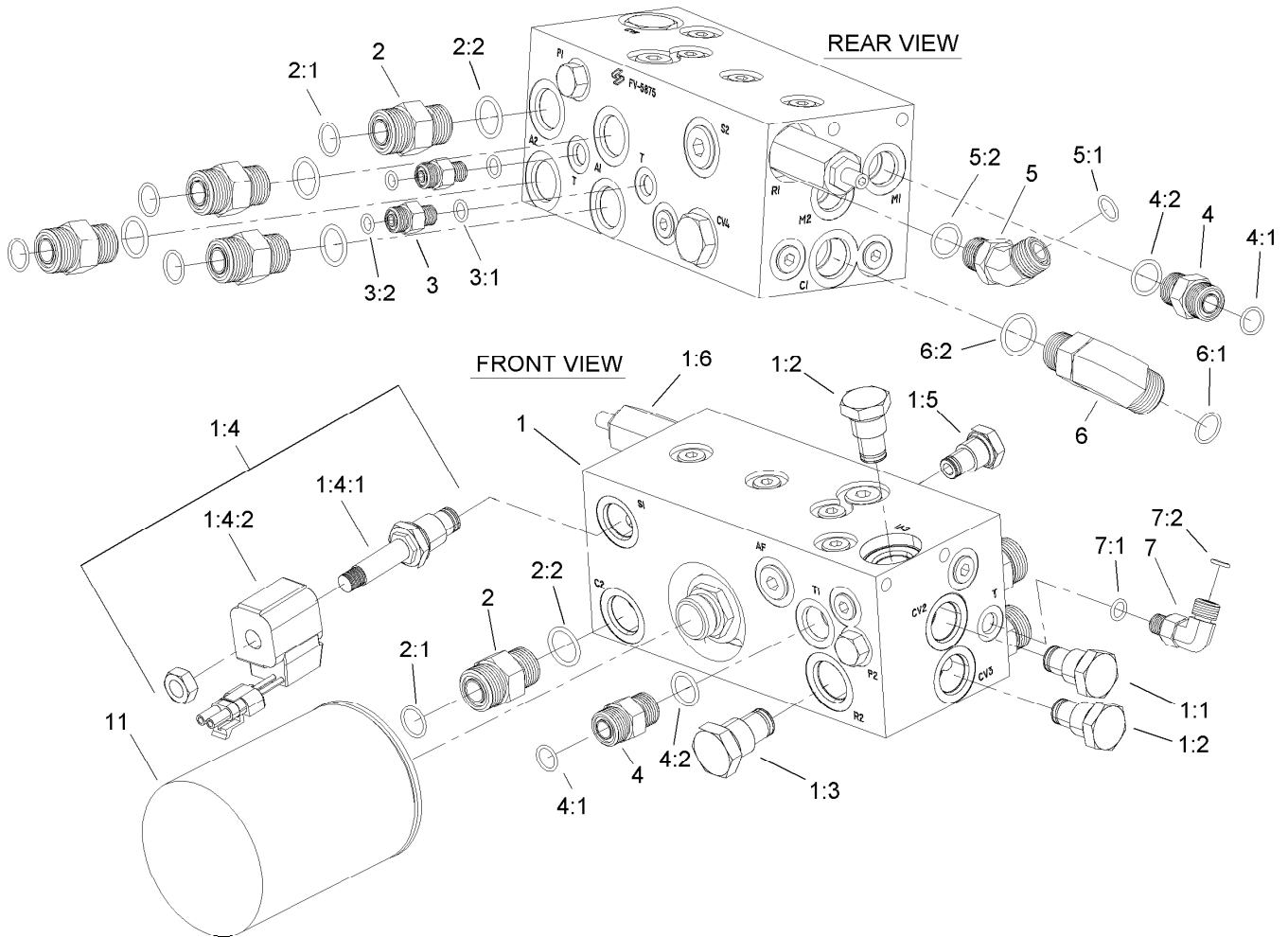
<i>Ref.</i>	<i>Part Number</i>	<i>Qty.</i>	<i>Description</i>
40:1	106-9691	1	Tire-4-Ply
40:2	99-0174	1	Rim
40:3	232-27	1	Stem-Valve
41	71-4450	20	Bolt-Lug
52	100-7686	1	Tongue ASM
52:2	100-7679	1	Decal-Warning
53	47-3550-01	1	Clevis-Hitch
54	13-6200	1	Pin-Hitch, Pointed

<i>Ref.</i>	<i>Part Number</i>	<i>Qty.</i>	<i>Description</i>
54:1	3290-343	1	Pin-Hair
55	327-12	2	Screw-HH
56	3256-7	4	Washer-Flat
57	3296-53	2	Nut-Lock, NI
58	100-7694	2	Pin-Clevis
59	92-1298	4	Pin-Lynch
61	58-6520	8	Decal-Grease



Hydraulic Motor Assembly No. 100-1459

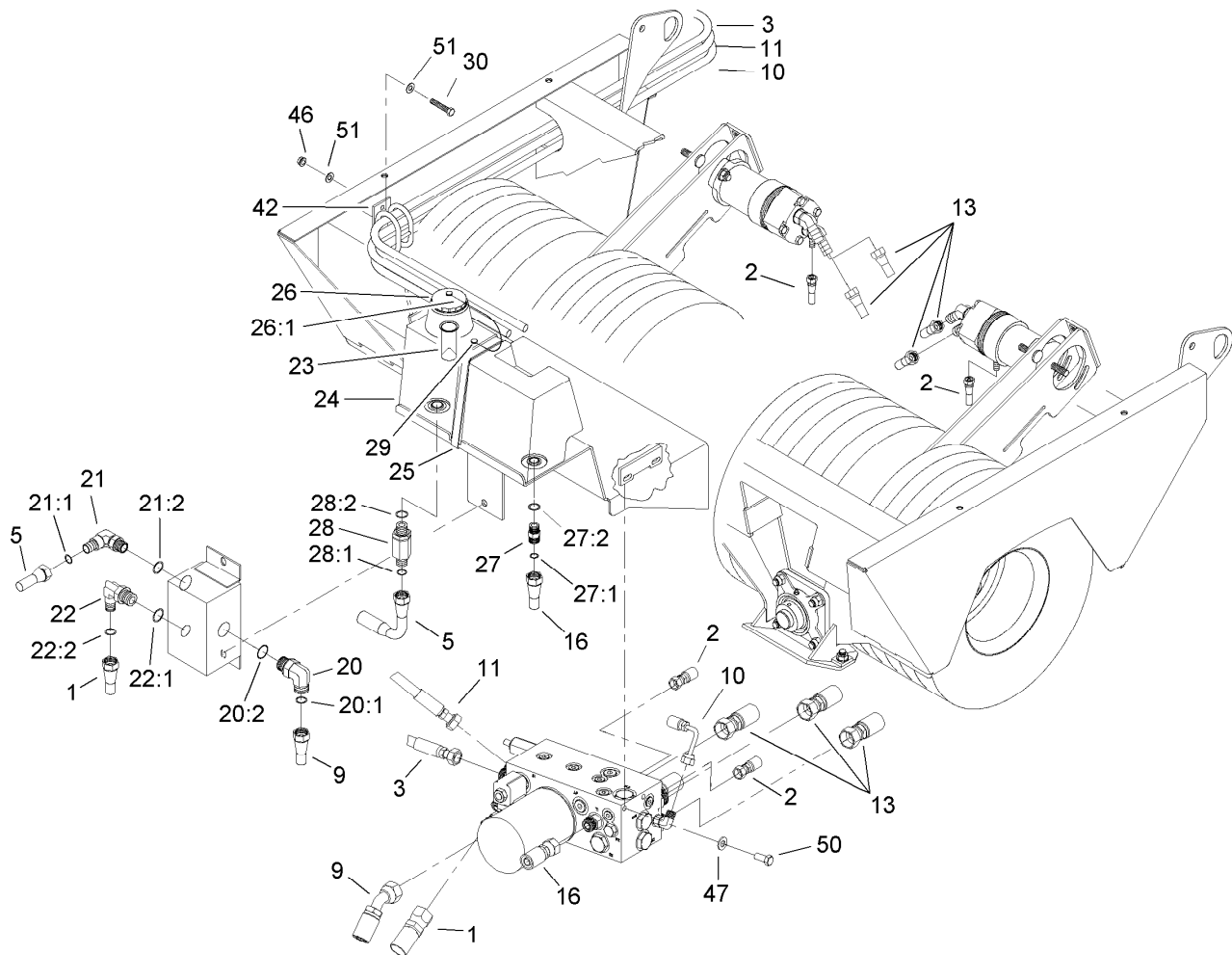
<i>Ref.</i>	<i>Part Number</i>	<i>Qty.</i>	<i>Description</i>
1	100-1466	1	Seal Kit
17	5-7280	1	Key



Hydraulic Manifold Assembly

Ref.	Part Number	Qty.	Description
1	106-9667	1	HYD Manifold ASM
1:1	100-7723	1	Valve-Check
1:2	106-9669	2	Valve-Check
1:3	106-9670	1	Valve-Check
1:4	100-7699	1	Solenoid Valve ASM
1:4:1	100-7718	1	Valve-Solenoid
1:4:2	100-7720	1	Coil-Solenoid
1:5	106-9668	1	Valve-Check
1:6	100-7740	1	Valve-Relief
2	340-7	5	Adapter
2:1	237-65	1	O-Ring
2:2	237-80	1	O-Ring
3	340-92	2	Fitting-HYD, Straight
3:1	237-78	1	O-Ring

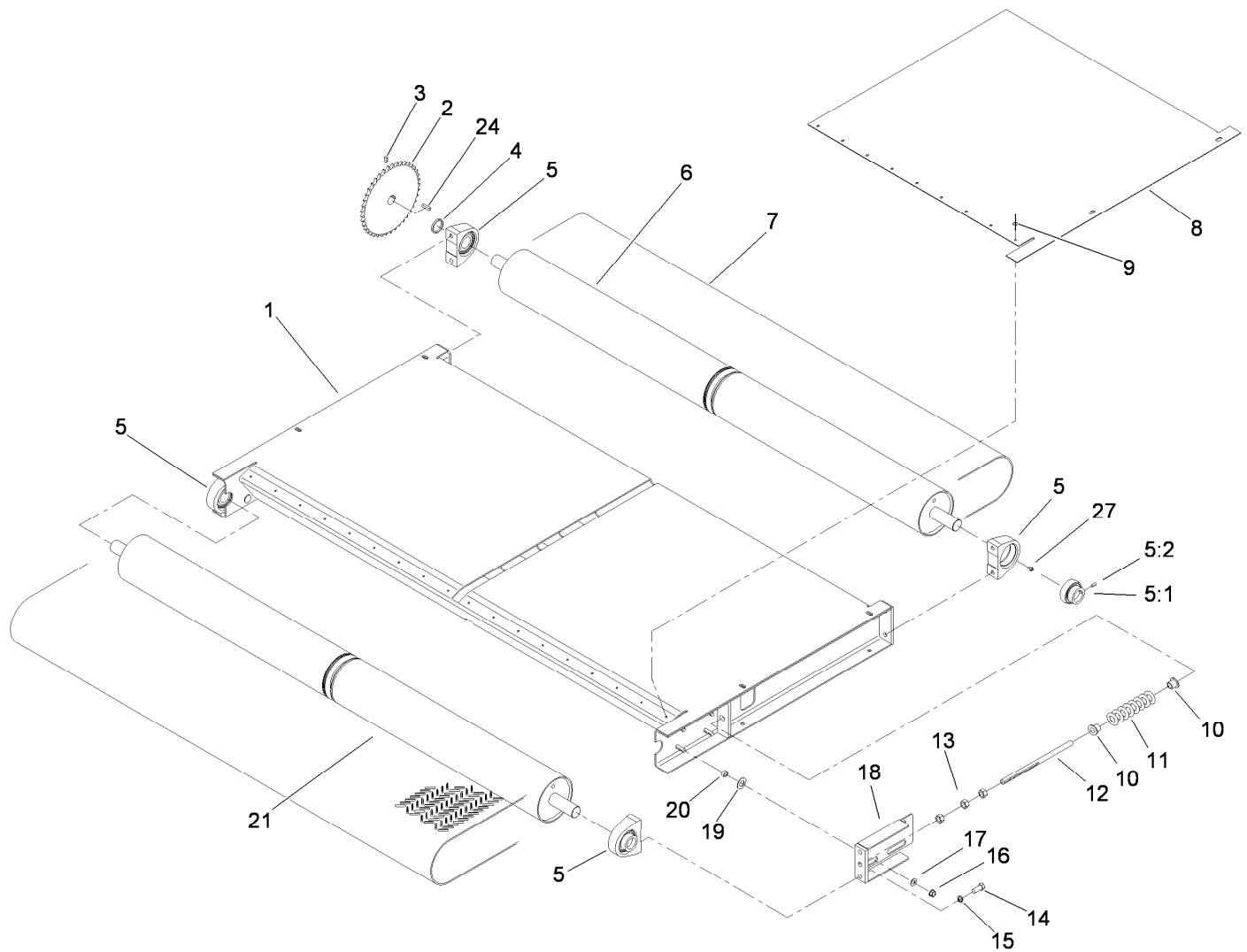
Ref.	Part Number	Qty.	Description
3:2	237-21	1	O-Ring
4	340-4	2	Fitting-HYD, Straight
4:1	237-30	1	O-Ring
4:2	237-79	1	O-Ring
5	340-101	1	Fitting-HYD, 45 DEG
5:1	237-30	1	O-Ring
5:2	237-79	1	O-Ring
6	340-17	1	Fitting-HYD, 90 DEG
6:1	237-65	1	O-Ring
6:2	237-80	1	O-Ring
7	340-132	1	Fitting-HYD, 90 DEG
7:1	237-78	1	O-Ring
7:2	237-21	1	O-Ring
11	86-3010	1	Filter-Oil



Hydraulic Installation Assembly

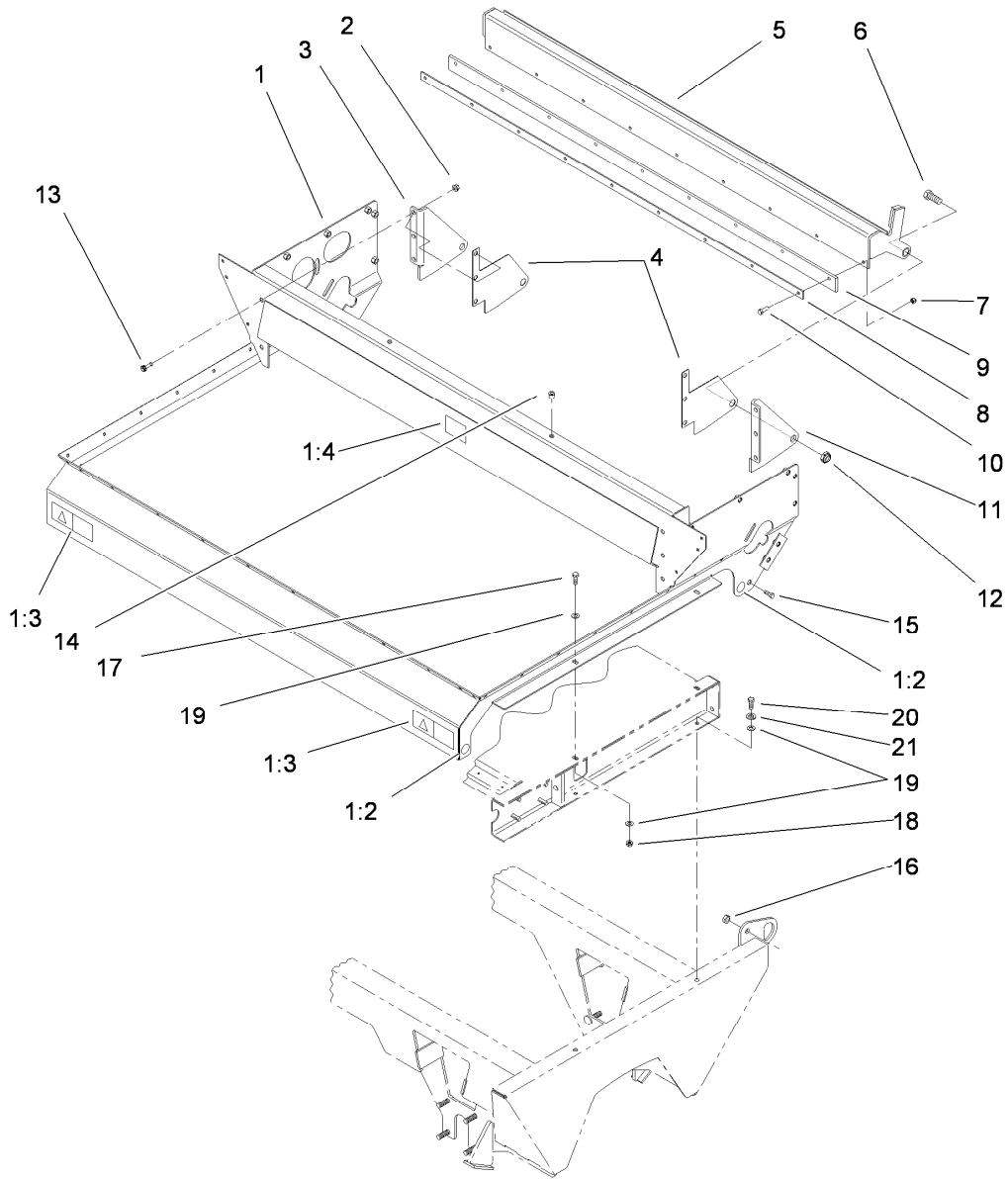
Ref.	Part Number	Qty.	Description	Ref.	Part Number	Qty.	Description
1	105-0639	1	HYD Hose ASM	24	94-4700	1	Tank-HYD
2	106-9674	2	Hose ASM	25	100-7693	1	Clamp-Tank
3	104-0304	1	HYD Hose ASM	26	93-4365	1	Cap-Oil
5	100-7657	1	HYD Hose ASM	26:1	75-0540	1	Tether And Button Kit
9	106-9675	1	HYD Hose ASM	27	340-4	1	Fitting-HYD, Straight
10	106-9677	1	HYD Hose ASM	27:1	237-30	1	O-Ring
11	104-0303	1	HYD Hose ASM	27:2	237-79	1	O-Ring
13	106-9678	4	HYD Hose ASM	28	340-7	1	Adapter
16	106-9676	1	HYD Hose ASM	28:1	237-65	1	O-Ring
20	340-142	1	Fitting-HYD, 90 DEG	28:2	237-80	1	O-Ring
20:1	237-58	1	O-Ring	29	3290-126	1	Screw-HWH
20:2	237-81	1	O-Ring	30	322-5	2	Screw-HH
21	340-17	1	Fitting-HYD, 90 DEG	42	99-5621	1	Guide-Hose
21:1	237-65	1	O-Ring	46	3296-29	2	Nut-Lock, NI
21:2	237-80	1	O-Ring	47	3256-24	4	Washer-Flat
22	340-139	1	Fitting-HYD, 90 DEG	50	323-5	4	Screw-HH
22:1	237-81	1	O-Ring	51	3256-23	4	Washer-Flat
22:2	237-65	1	O-Ring	99	100-7674	1	Premium Bio-Degradable HYD Fluid Pail ●
23	92-1705	1	Filter-Screen				

● Not illustrated



Slider Bed and Roller Assembly

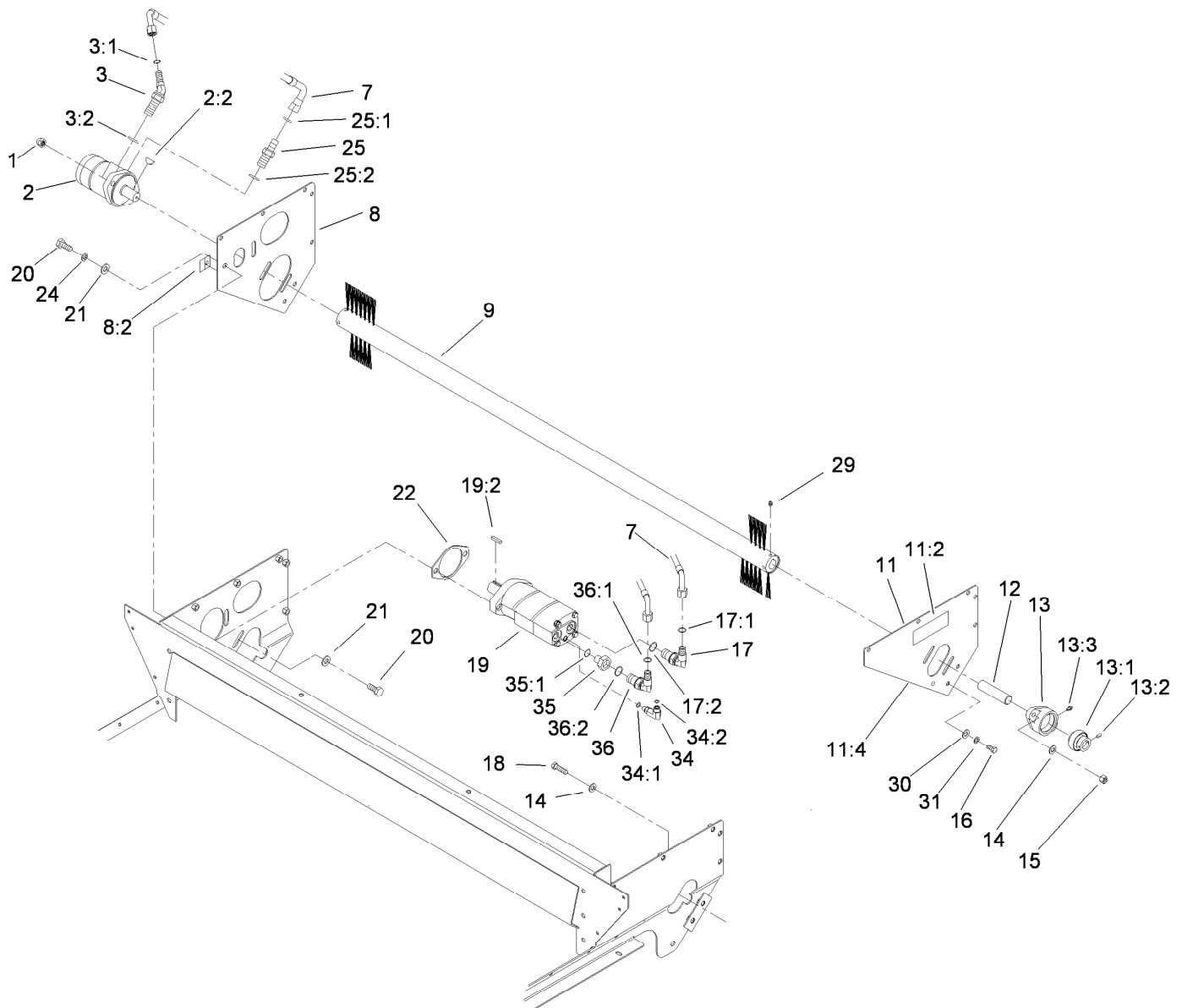
Ref.	Part Number	Qty.	Description	Ref.	Part Number	Qty.	Description
1	99-0038-01	1	Frame-Bed, Slider	12	99-0118	2	Pin-Spring
2	99-0166-03	1	Sprocket-Driven	13	3217-9	6	Nut-HH
3	3246-3	2	Screw-HSH	14	100-1438	8	Screw-Socket Head, Torx
4	99-0017	1	Spacer-Sprocket	15	3253-6	8	Washer-Lock
5	99-0158	4	Bearing-Base, Tapped	16	3296-39	8	Nut-Lock, NI
5:1	251-246	1	Collar W/Set Screws	17	3256-4	8	Washer-Flat
5:2	106-9662	1	Screw-Set, HSH	18	99-0050-01	2	Spring Plate ASM
6	99-0046	1	Roller-Rear	19	99-0052	8	Washer-Slide
7	100-1425	1	Belt Kit	20	100-1401	8	Spacer-Slide, Spring
8	99-0047	2	Plate-Wear	21	99-0044	1	Roller-Front
9	3269-28	18	Rivet-Pop	24	10-7070	1	Key-Square
10	100-1414	4	Holder-Spring	27	302-60	4	Fitting-Grease, 90 DEG
11	99-0163	2	Spring-Compression				



Gate Assembly

Ref.	Part Number	Qty.	Description
1	100-1435	1	Hopper Frame ASM
1:2	58-6520	4	Decal-Grease
1:3	93-9092	2	Decal-Warning
1:4	105-4586	1	Decal-Shield
2	32128-37	6	Nut-HF
3	99-0079-01	1	Bracket-Gate Pivot, RH
4	99-0117	2	Wareplate-Gate
5	99-0068-01	1	Gate ASM
6	328-24	2	Screw-HH
7	3296-29	9	Nut-Lock, NI
8	99-0089-01	1	Plate-Backing
9	99-0074	1	Seal-Gate

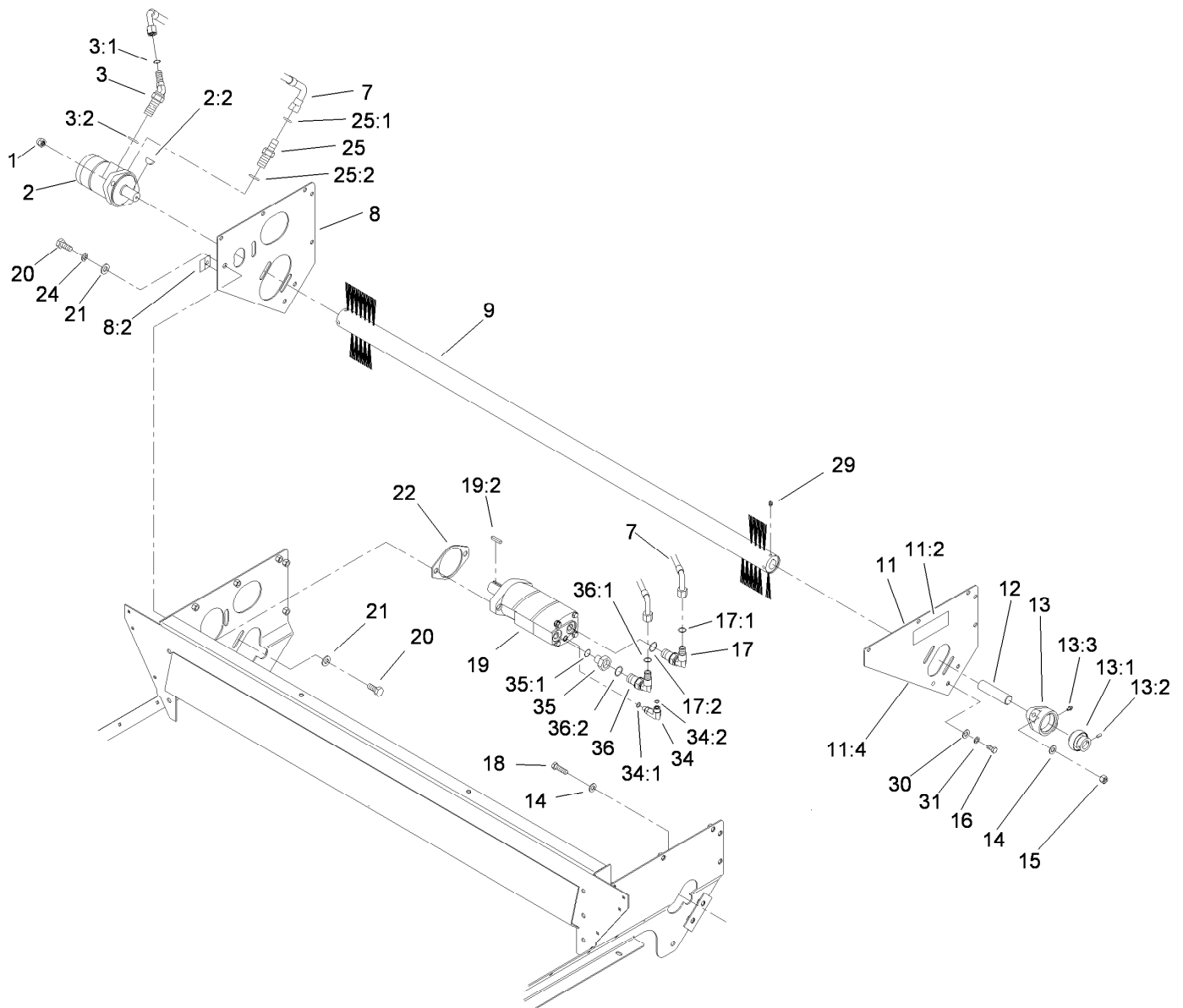
Ref.	Part Number	Qty.	Description
10	322-6	9	Screw-HH
11	99-0078-01	1	Bracket-Gate Pivot, LH
12	3296-51	2	Nut-Lock, NI
13	324-4	6	Screw-HH
14	32148-9	2	Insert-Nut
15	325-5	2	Screw-HH
16	3296-23	2	Nut-Lock, NI
17	323-7	4	Screw-HH
18	3296-39	4	Nut-Lock, NI
19	3256-24	12	Washer-Flat
20	323-6	4	Screw-HH
21	3253-21	4	Washer-Lock



Brush and Motor Assembly

Ref.	Part Number	Qty.	Description	Ref.	Part Number	Qty.	Description
1	3296-23	2	Nut-Lock, NI	14	3256-25	4	Washer-Flat
2	99-0156	1	HYD Motor ASM	15	3296-48	2	Nut-Lock, NI
2:1	100-1446	1	Seal Kit ●	16	323-4	4	Screw-HH
2:2	3257-8	1	Key-Woodruff	17	340-105	1	Fitting-HYD, 90 DEG
3	340-89	1	Fitting-HYD, 45 DEG	17:1	237-80	1	O-Ring
3:1	237-30	1	O-Ring	17:2	237-30	1	O-Ring
3:2	237-80	1	O-Ring	18	324-6	2	Screw-HH
7	99-0177	1	Hose-HYD	19	99-0155	1	HYD Motor Conveyor ASM
8	100-1431	1	RH Motor Brace ASM	19:1	56-6890	1	Seal Kit ●
8:2	105-4586	1	Decal-Shield	19:2	10-7070	1	Key-Square
9	99-0162	1	Brush	20	325-7	4	Screw-HH
11	100-1430	1	LH Motor Brace ASM	21	3256-26	4	Washer-Flat
11:2	106-7750	1	Decal-Danger	22	99-0116	1	Plate-Spacer
11:4	58-6520	1	Decal-Grease	24	3253-7	2	Washer-Lock
12	99-0041	1	Shaft-Brush	25	340-6	1	Fitting-HYD, Straight
13	99-0160	1	Bearing	25:1	237-30	1	O-Ring
13:1	251-249	1	Collar W/Set Screws	25:2	237-80	1	O-Ring
13:2	3245-35	1	Screw-Set	29	3246-3	4	Screw-HSH
13:3	302-2	1	Fitting-Grease	30	3256-24	4	Washer-Flat

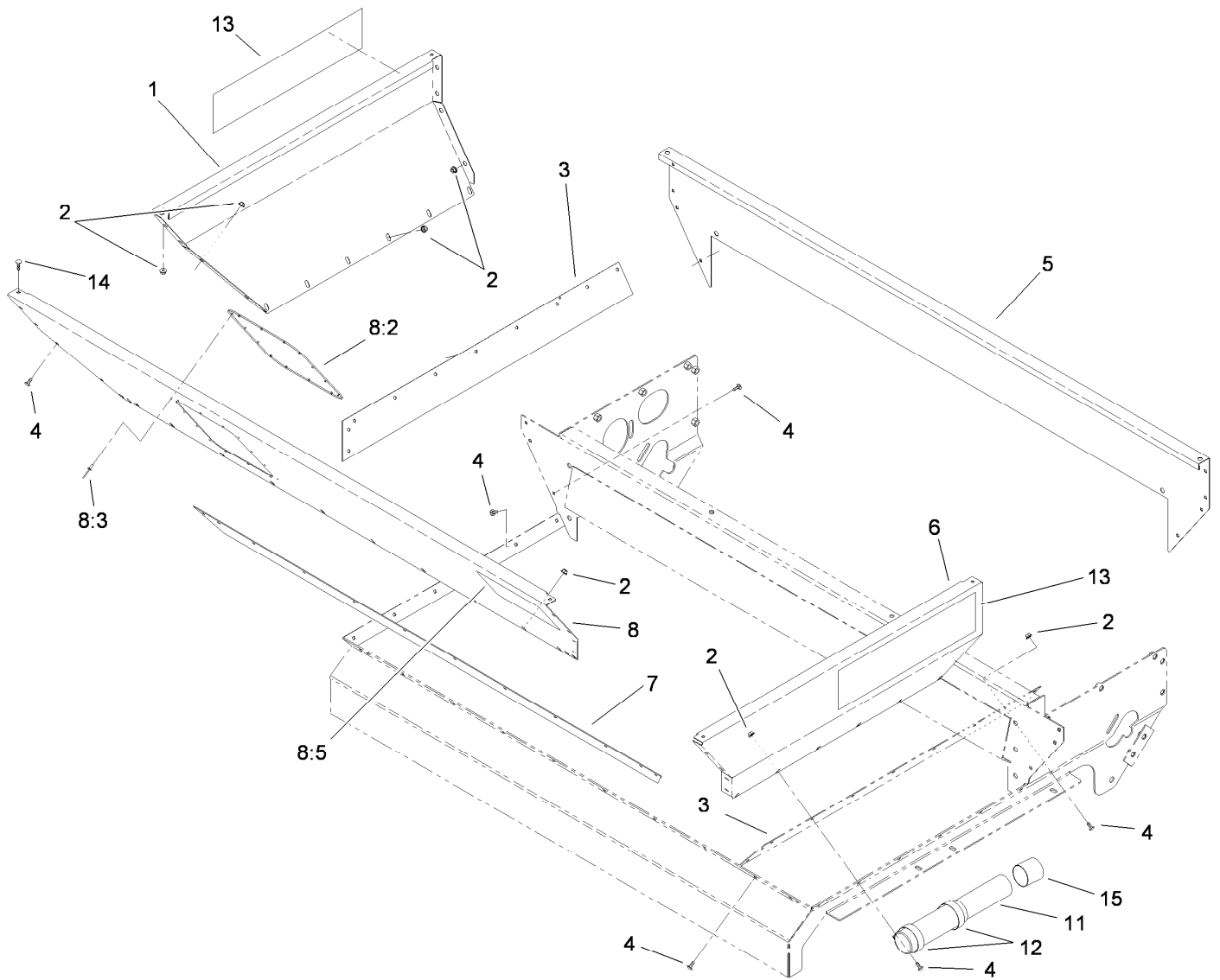
● Not illustrated



Brush and Motor Assembly (continued)

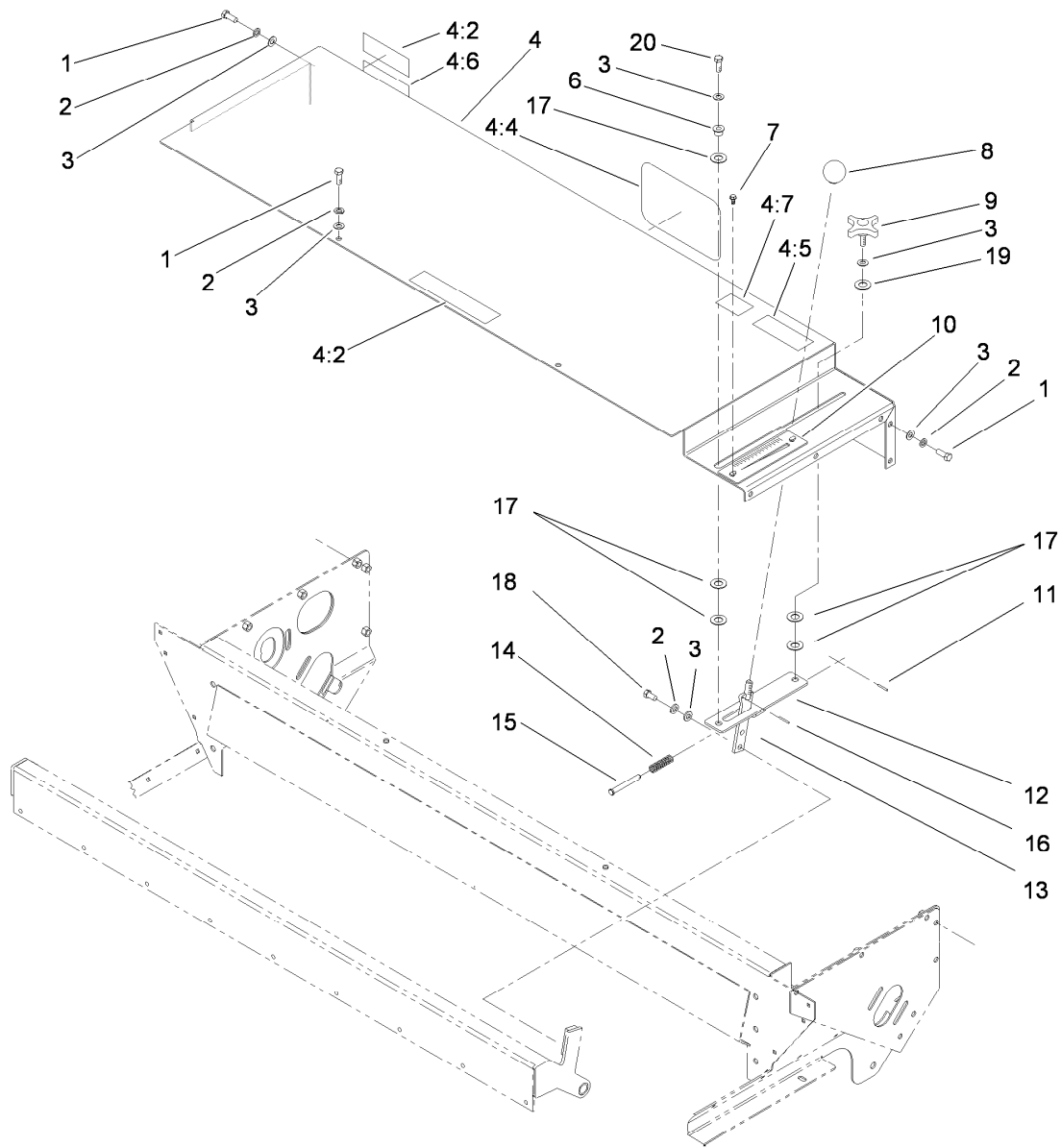
<i>Ref.</i>	<i>Part Number</i>	<i>Qty.</i>	<i>Description</i>	<i>Ref.</i>	<i>Part Number</i>	<i>Qty.</i>	<i>Description</i>
31	3253-21	4	Washer-Lock	35:1	237-80	1	O-Ring
34	100-7695	1	Adapter-HYD	36	99-6160	1	Fitting-Elbow, 90 DEG
34:1	237-78	1	O-Ring	36:1	237-30	1	O-Ring
34:2	237-21	1	O-Ring	36:2	237-79	1	O-Ring
35	100-4617	1	Adapter-HYD	99	3290-379	6	Tie-Cable ●

● Not illustrated



Hopper Assembly

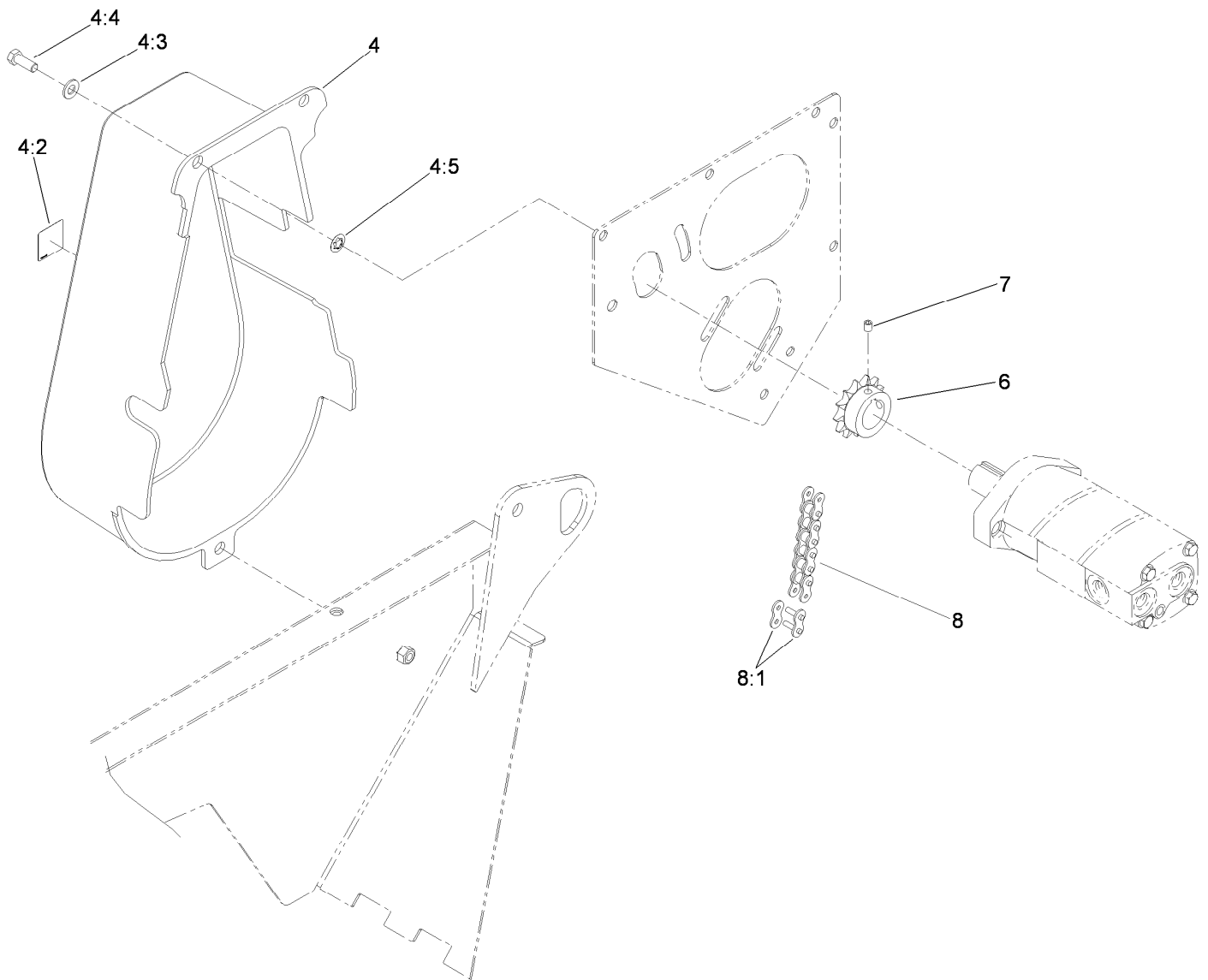
<i>Ref.</i>	<i>Part Number</i>	<i>Qty.</i>	<i>Description</i>	<i>Ref.</i>	<i>Part Number</i>	<i>Qty.</i>	<i>Description</i>
1	99-0123	1	Panel-Hopper, RH	8:2	99-0120	1	Hopper-Window
2	32128-33	48	Nut-HF	8:3	3269-28	14	Rivet-Pop
3	99-0142	2	Seal-Sand, Side	8:5	99-0016	1	Decal-Danger
4	3229-25	44	Screw-CARR	11	104-7050	1	Tube-Manual
5	99-0121	1	Panel-Hopper, Back	12	2412-133	2	R-Clamp
6	99-0124	1	Panel-Hopper, LH	13	99-0012	2	Decal
7	99-0143	1	Seal-Sand, Front	14	321-4	4	Screw-HH
8	100-1465	1	Front Hopper Panel ASM	15	104-7048	1	Cap-Housing



Gate Slide and Brush Guard Assembly

Ref.	Part Number	Qty.	Description
1	323-6	10	Screw-HH
2	3253-21	12	Washer-Lock
3	3256-24	14	Washer-Flat
4	100-1432	1	Brush Guard ASM
4:2	106-7750	2	Decal-Danger
4:4	92-1242	1	Decal
4:5	105-0707	1	Decal-Warning
4:6	105-0708	1	Decal-Danger
4:7	98-3114	1	Decal-Warning
6	256-259	1	Bushing-Flange
7	93-6083	2	Screw-HWH
8	233-48	1	Knob

Ref.	Part Number	Qty.	Description
9	100-1449	1	Knob
10	100-1416	1	Scale-Gate
11	32121-45	1	Pin-Spring
12	99-0073-03	1	Slide Block Plate ASM
13	100-1406-03	1	Gate Handle ASM
14	100-1448	1	Spring-Gate
15	100-1413	1	Pin-Clevis
16	32121-40	1	Pin-Spring
17	99-0052	5	Washer-Slide
18	323-4	2	Screw-HH
19	95-4896	1	Washer-Nylon
20	3274-63	1	Screw-HSBH



Chain, Sprocket and Guard Assembly

<i>Ref.</i>	<i>Part Number</i>	<i>Qty.</i>	<i>Description</i>
4	119-2860	1	Chain Guard ASM
4:2	98-3114	1	Decal-Warning
4:3	3256-24	3	Washer-Flat
4:4	323-6	3	Screw-HH
4:5	107-3154	3	Nut-Push
6	99-0165-03	1	Sprocket-Drive
7	3246-3	2	Screw-HSH
8	99-0164	1	Chain-Roller
8:1	2710-16	1	Link-Chain

Notes:

Notes:

Notes:



Count on it.