

MASTERS SERIES

REFLECTION

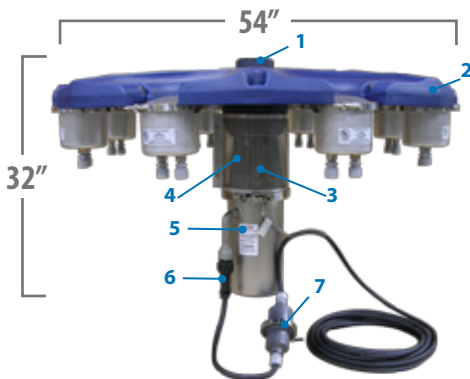
ADJUSTABLE STRAIGHTENED FLOW PATTERN (ASFP)

VERTICAL OR HORIZONTAL

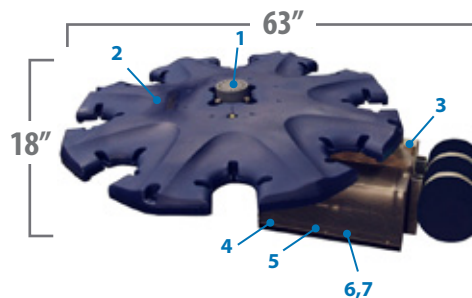


HORSEPOWER	1	2	3 & 3½	5	7½	10
HT x DIA ft UPPER	7 x 16	8 x 22	12 x 26	13 x 16	14 x 22	16 x 24
HT x DIA ft LOWER	3 x 22	3 x 30	3 x 30	4 x 37	4 x 40	5 x 46
ELECTRICAL RATING Ph VOLTAGE AMPS	1 120 19	1 208-240 12.6	1 (3½HP) 208-240 15.2	1 208-240 27.1	1 220-240 42	1 220-240 60
	3 208-240 9.6	3 208-240 6.3	3 (3HP) 208-240 10.1	3 208-240 18	3 208-240 26.4	3 208-240 36
	3 208-240 5.4	3 440-480 3.1	3 (3HP) 440-480 5.1	3 440-480 9	3 440-480 13.2	3 440-480 18
3 440-480 2.7						
HT x DIA m UPPER	2.3 x 6.1	2.6 x 7.3	3.3 x 8.5	4.3 x 8.5	4.3 x 6.7	4.9 x 7.3
HT x DIA m LOWER	0.8 x 7.9	0.9 x 8.8	1.1 x 9.7	2.4 x 14	1.2 x 12.2	1.5 x 14
ELECTRICAL RATING Ph VOLTAGE AMPS	1 220-230 8	1 208-230 10.5	1 220-230 19	1 208-230 24	3 380-415 12	3 380-415 18
	3 380-415 2.6	3 380-415 3.7	3 380-415 5	3 380-415 8		

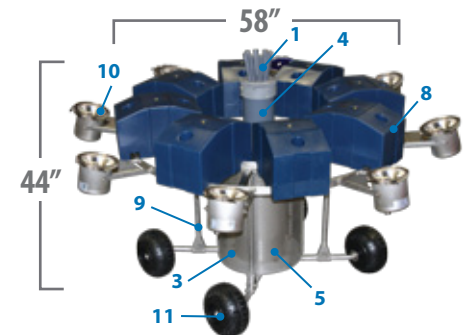
MASTERS SERIES® DESIGN TYPES



1 - 5 HP Masters Series Vertical Design
(Min. Operating Depth - 3ft.)



1 - 5 HP Masters Series Horizontal Design
(Min. Operating Depth - 16in.)

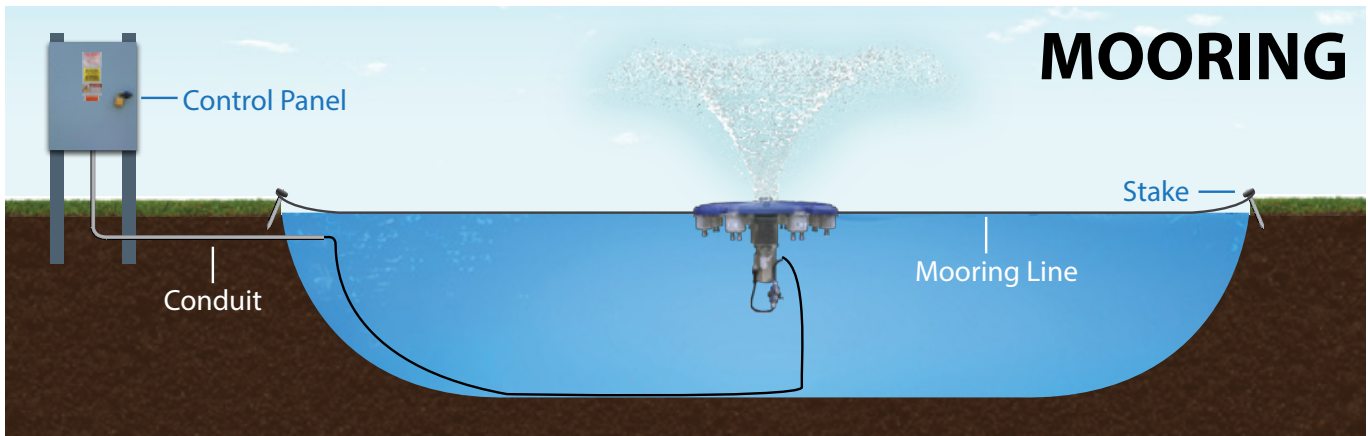
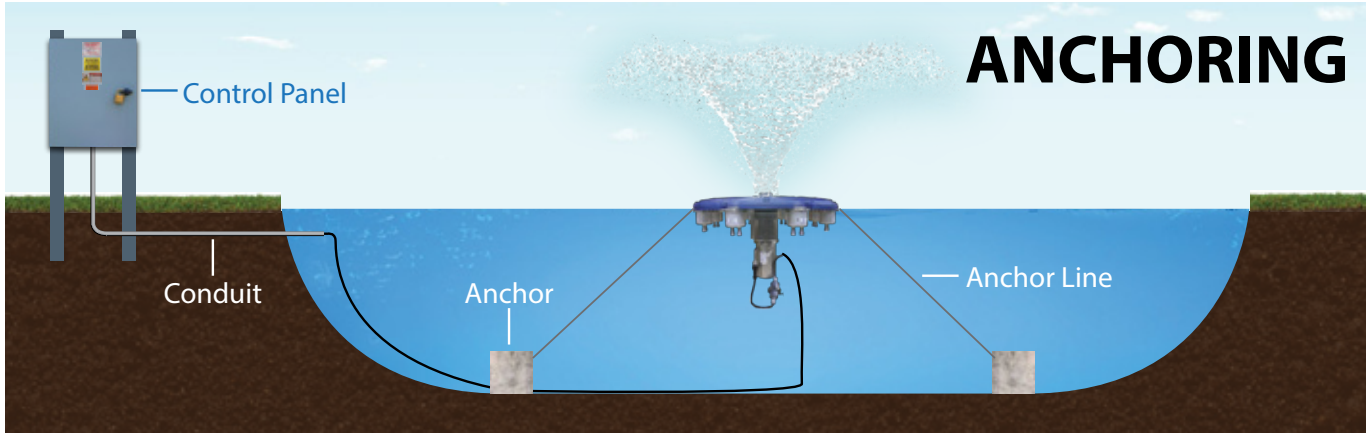


7.5 - 10 HP Masters Series Cart Design
(Min. Operating Depth - 4ft.)

- 1 - Interchangeable nozzles
- 2 - Low profile float design with recessed pockets for LED & RGBW Lighting
- 3 - Stainless steel intake screen
- 4 - Patented, high-efficiency molded composite impeller system
- 5 - Exclusive custom-designed oil-cooled energy efficient motors with stainless steel motor housing and top plate
- 6 - AquaLock Connector (ALC) electrical quick disconnect
- 7 - Exclusive underwater cable disconnect
- 8 - Individual high density polyethylene floats are in-water adjustable
- 9 - Rugged stainless steel compact cart design
- 10 - Adjustable Night Glow LED or RGBW Lighting
- 11 - Oversized floatation type tires for ease of launching

MASTERS SERIES

INSTALLATION



CONTROL PANEL



CONTROL PANEL COMPONENTS

- Outdoor rated, lockable enclosure constructed of galvanized steel powder coated gray
- Standard enclosure size 16" x 16" x 6" for 1-5HP and 24" x 20" x 6" for 7.5-10HP
- Overcurrent protection
- Ground fault protection
- Motor contactor and overload
- Capacitors (single phase only)
- Digital timers with battery backup
- LED lighting circuit included in all control panels
- Custom Control Panels for multiple units and options available

