



**Count on it.**

**Parts Catalog**

**TimeCutter® ZS 5000**

**Riding Mower**

Model No. 74661—Serial No. 316000001 and Up



# Ordering Replacement Parts

To order replacement parts, please supply the part number, the quantity, and the description of each part desired.

## Understanding Reference Numbers

Each identified part in an illustration has a reference number. The reference number for a part also appears in the parts list, along with other information about the part.

This catalog uses two special reference number formats, one to indicate parts in a service assembly and another to indicate the quantity of a given part in an illustration.

## Service Assembly Reference Numbers

Parts in service assemblies have reference numbers in the form a:b. The a represents the reference number of the entire service assembly and the b represents a sequential number unique to each part within the service assembly.

For example, a wheel assembly might be identified by reference number 6, the tire by 6:1, the valve by 6:2, and the wheel by 6:3. When you order the assembly identified by reference number 6, you receive all parts identified by reference numbers 6:1, 6:2, and 6:3. However, you may also order any part individually. Reference numbers of this type appear in illustration and in parts lists.

## Reference Numbers Indicating Quantity

In an illustration, if a reference number indicates more than one part, the reference number has the form nX y. The n represents the quantity of the part, the X is the multiplication symbol, and the y represents the reference number.

For example, in an illustration, the reference number 2X 37 means that two of the parts identified by reference number 37 are indicated.

# List of Abbreviations

**AR:** as required

**ASM:** assembly

**BBC:** blade brake control

**BHTF:** button head thread forming

**CARR:** carriage

**CCW:** counter clockwise

**CW:** clockwise

**DEG:** degrees

**DPA:** Dual Point Adjustment

**ECM:** electronic control module

**EXT:** external

**FH:** flat head

**GA:** gauge

**HD:** heavy-duty

**HF:** hex flange

**HH:** hex head

**HHF:** hex head flange

**HHFTF:** hex head flange thread forming

**HJ:** hex jam

**HLH:** hex lag head

**HOC:** height-of-cut

**HP:** high pressure

**HSBH:** hex socket button head

**HSFH:** hex socket flat head

**HSH:** hex socket head

**HWH:** hex washer head

**HWHTF:** hex washer head thread forming

**HYD:** hydraulic

**LH:** left hand

**LP:** low pressure

**LPG:** Liquefied Petroleum Gas

**NI:** nylon insert

**NPTF:** national pipe thread fine

**PFH:** phillips flat head

**PPH:** phillips pan head

**PPHTF:** phillips pan head thread forming

**PRH:** phillips round head

**PTH:** phillips truss head

**PTO:** power-take-off

**RH:** right hand

**ROPS:** roll-over protection system

**RRB:** rear roller brush

**SFH:** slotted fillister head

**SHH:** slotted hex head

**SHWH:** slotted hex washer head

**SPH:** slotted pan head

**SQH:** square head

**SRH:** slotted round head

**STD:** standard

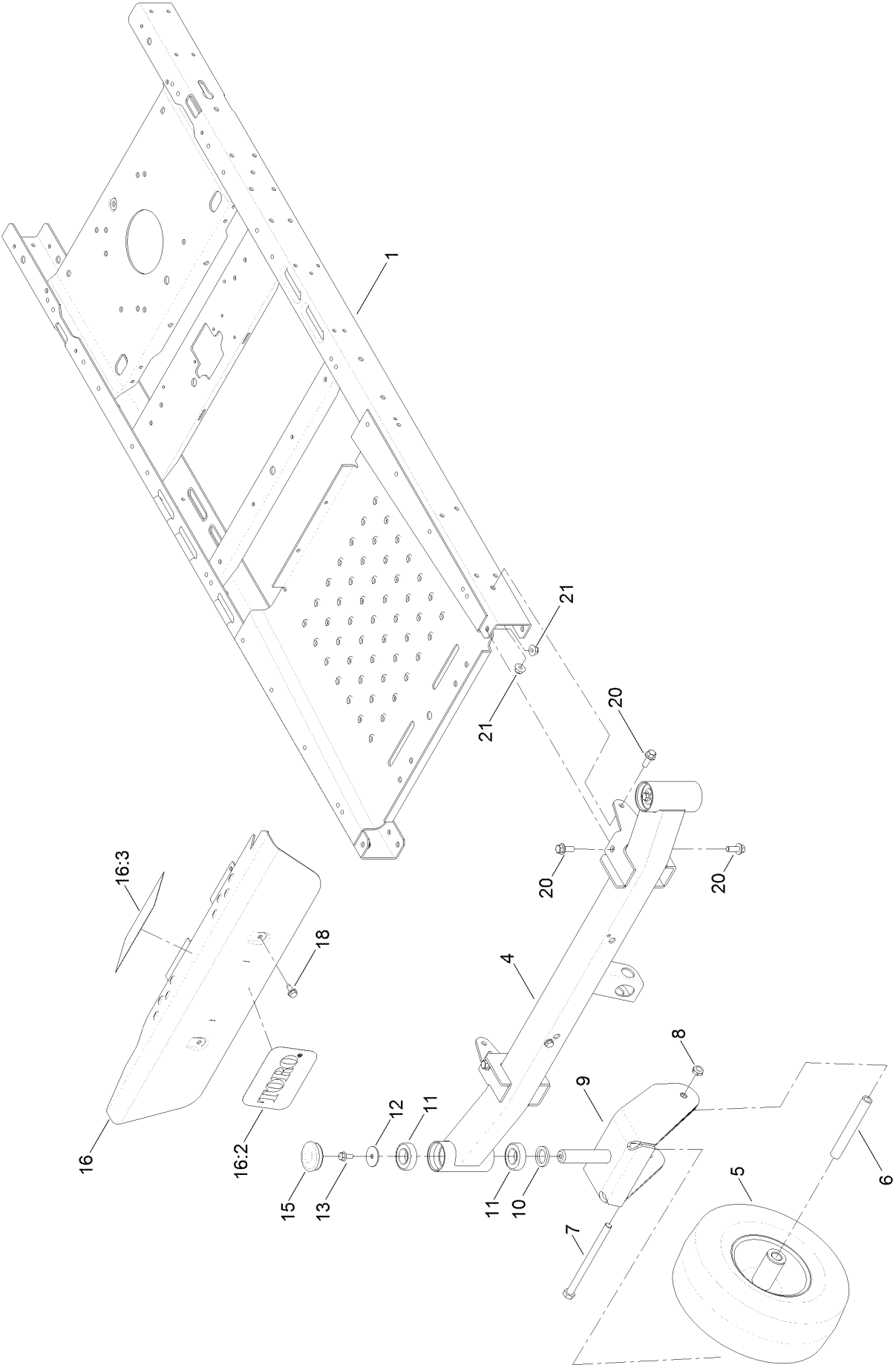
**TAP:** self tapping

**TTH:** torx truss head

# Contents

Frame, Front Axle and Caster Wheel Assembly .....	4
13 Inch Wheel and Tire Assembly No. 119-3473 .....	6
Deck Lift Assembly .....	8
Motion Control Assembly .....	10
Brake Assembly .....	12
Seat Assembly .....	14
Belt and Idler Assembly .....	16
Hydro Transaxle Drive and Rear Wheel Assembly .....	18
2 Ply Wheel and Tire Assembly No. 131-3672 .....	20
Left Hand Hydro Transaxle Assembly No. 119-3350 .....	22
Right Hand Hydro Transaxle Assembly No. 119-3351 .....	24
Clutch Assembly .....	26
Engine and Muffler Assembly .....	28
Fuel System Assembly Engine Assembly No. 127-9041 .....	30
Carburetor Assembly No. 127-9249 Engine Assembly 127-9041 .....	32
Air Intake and Filtration Assembly Engine Assembly No. 127-9041 .....	34
Ignition and Electrical Assembly Engine Assembly No. 127-9041 .....	36
Crankcase and Crankshaft Assembly Engine Assembly No. 127-9041 .....	38
Governor Control Assembly Engine Assembly No. 127-9041 .....	40
Piston and Cylinder Head Assembly Engine Assembly No. 127-9041 .....	42
Blower Housing Assembly Engine Assembly No. 127-9041 .....	44
Gasket and Seal Kit Engine Assembly No. 127-9041 .....	46
Body Styling and Fuel Pod Assembly .....	48
Fuel Delivery Assembly .....	50
Battery and Electrical Assembly .....	52
Fuse and Wire Harness Assembly .....	54
50 Inch Deck Assembly .....	56
50 Inch Deck Decal Assembly No. 131-3606 .....	58
50 Inch Deck and Baffle Assembly .....	60
50 Inch Deck Belt, Spindle and Blade Assembly .....	62
Attachments and Accessories .....	64

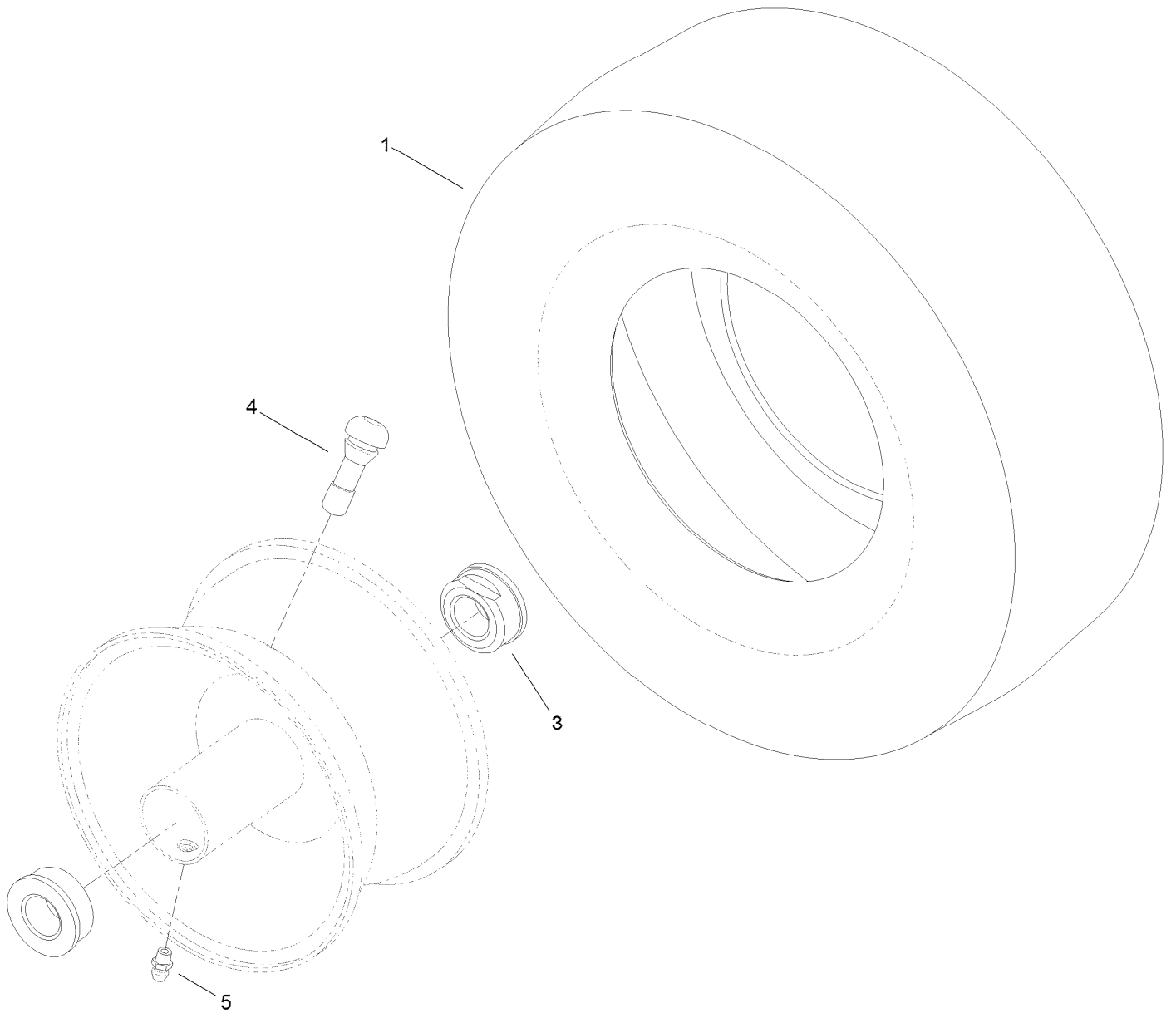
# Frame, Front Axle and Caster Wheel Assembly



## Frame, Front Axle and Caster Wheel Assembly (continued)

<i>Ref.</i>	<i>Part Number</i>	<i>Qty.</i>	<i>Description</i>	<i>Ref.</i>	<i>Part Number</i>	<i>Qty.</i>	<i>Description</i>
1	130-0699-01	1	Frame ASM	12	3256-68	2	Washer-Flat
4	125-1726-01	1	Axle ASM	13	3234-47	2	Screw-HHF
5	119-3473	2	13 Inch Wheel And Tire ASM	15	116-4348	2	Cap-Grease
6	119-3475	2	Spanner	16	132-0892	1	Footrest ASM
7	325-37	2	Screw-HH	16:2	99-4693	1	Decal
8	3296-45	2	Nut-Lock, NI	16:3	132-0869	1	Decal-Danger
9	119-3349-01	2	Fork-Caster	18	32144-70	2	Screw-HWHTF
10	117-7394	2	Washer-Thrust	20	3234-42	6	Screw-HHF
11	109-3678	4	Bearing-Ball	21	104-8301	6	Nut-Flange, NI

# 13 Inch Wheel and Tire Assembly No. 119-3473

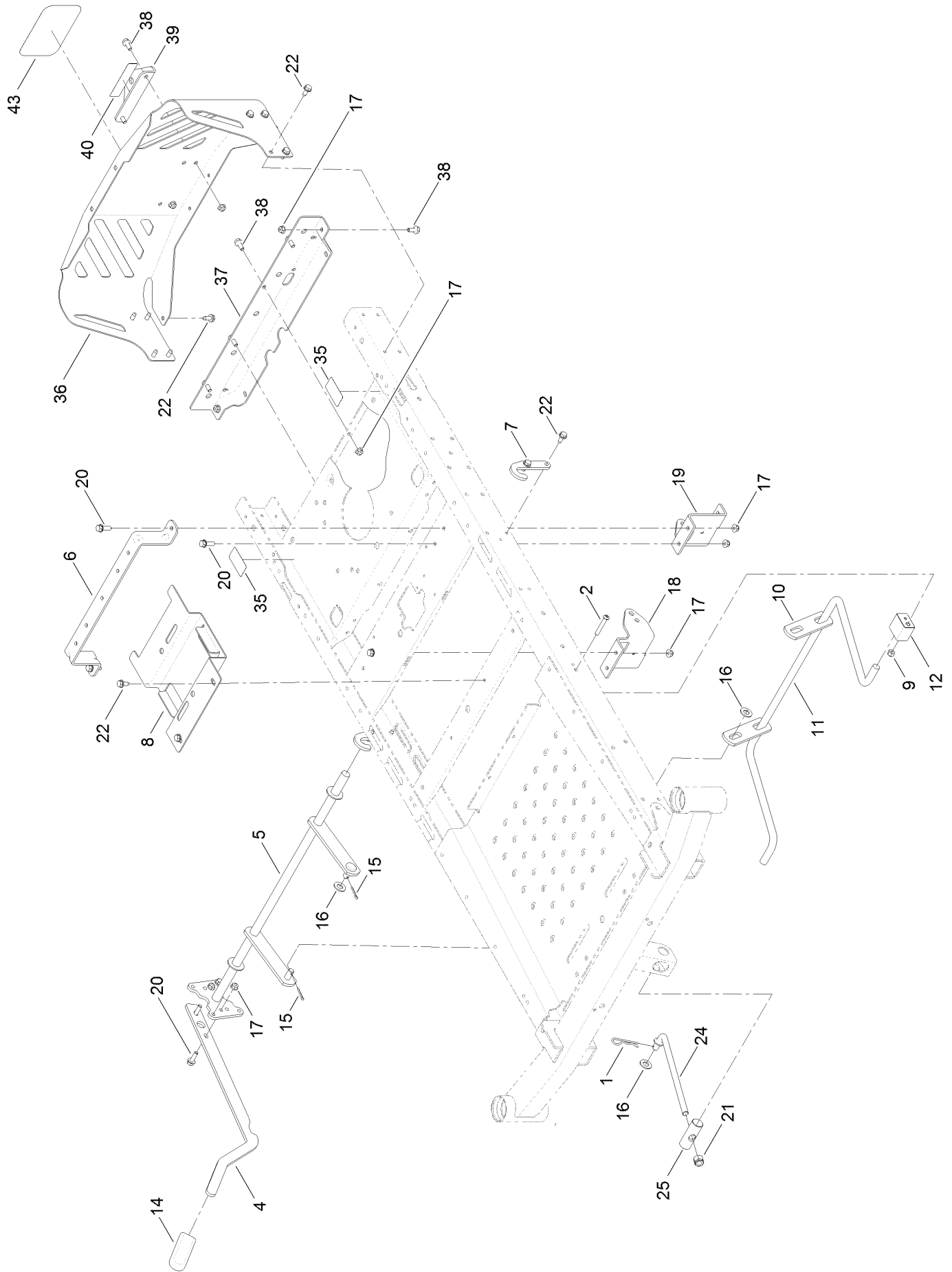


# 13 Inch Wheel and Tire Assembly No. 119-3473 (continued)

<i>Ref.</i>	<i>Part Number</i>	<i>Qty.</i>	<i>Description</i>	<i>Ref.</i>	<i>Part Number</i>	<i>Qty.</i>	<i>Description</i>
1	119-3471	1	Tire-13 Inch	5	302-5	1	Fitting-Grease
3	114-1640	2	Bushing-Flange	99	232-46	1	Tube ●
4	232-27	1	Stem-Valve				

● Not illustrated

# Deck Lift Assembly

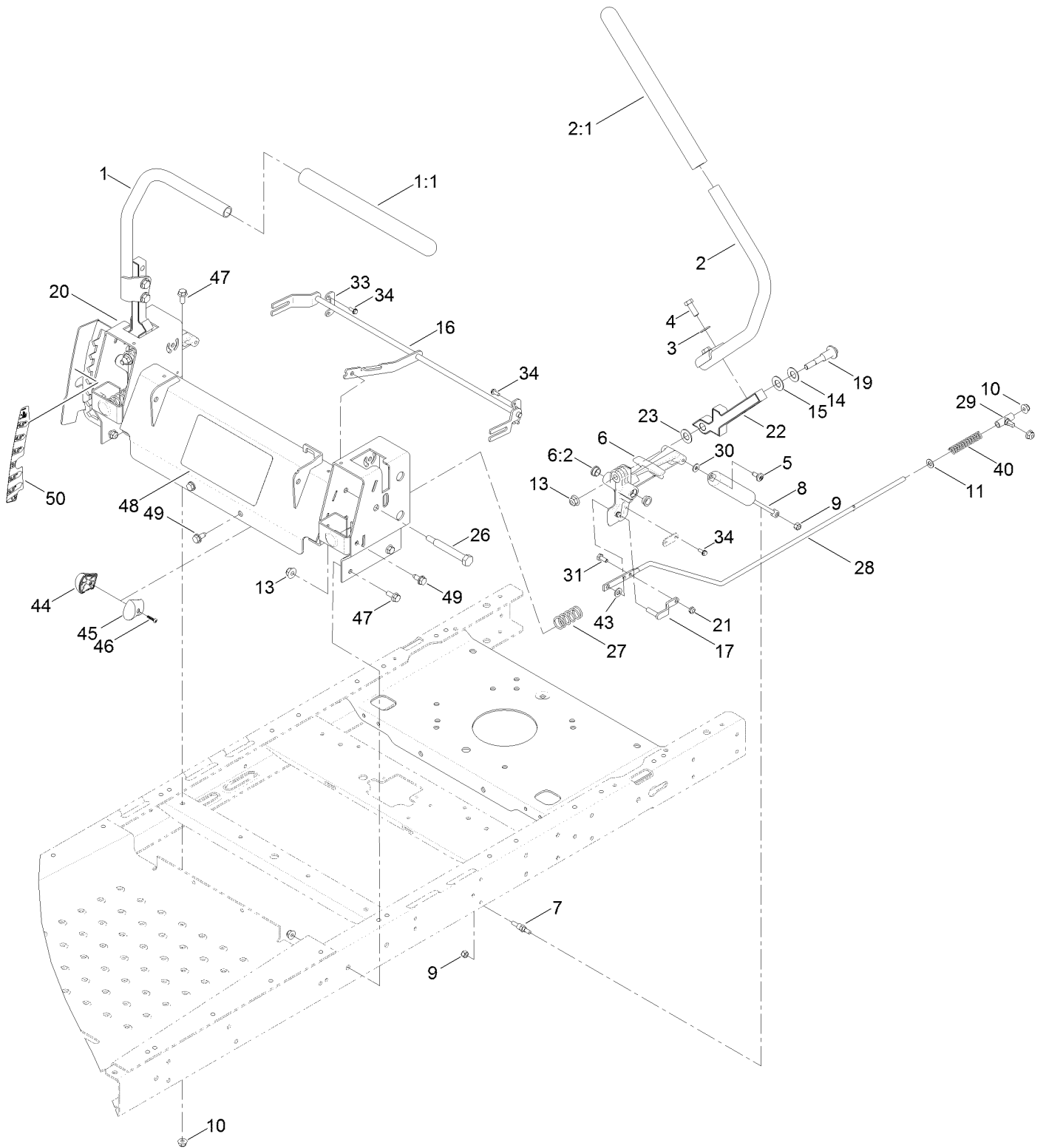




## Deck Lift Assembly (continued)

<i>Ref.</i>	<i>Part Number</i>	<i>Qty.</i>	<i>Description</i>	<i>Ref.</i>	<i>Part Number</i>	<i>Qty.</i>	<i>Description</i>
1	1-806005	1	Pin-Cotter	18	131-0901-01	1	Mount-Hydro, Front Right
2	120-5499	2	Screw-HSBH	19	131-0902-01	1	Mount-Hydro, Front Left
4	119-3427-03	1	Lever-Lift	20	3234-29	6	Screw-HHF
5	132-6878-03	1	Lift-Deck, Wide	21	3296-19	1	Nut-Hex
6	117-7337-03	1	Brace-Seat, Rear (Wide)	22	32144-70	16	Screw-HWHTF
7	119-8875	2	Bracket-Lift	24	131-3945	1	Rod-Mount, Deck
8	131-0914-03	1	Bracket-Battery	25	119-8810	1	Pin-Pivot
9	3296-29	2	Nut-Lock, NI	35	121-2989	2	Decal-Bypass
10	108-7840	2	Link-Lift	36	130-0701-03	1	Guard-Engine, Wide
11	119-3347	1	Arm-Lift, Rear (Wide)	37	130-6946-01	1	Crossmember-Rear, Wide
12	108-7845	2	Block-Pivot	38	3234-47	8	Screw-HHF
14	1-633268	1	Grip-Lever	39	117-1232-03	1	Bracket-Hitch
15	3272-11	2	Pin-Cotter	40	131-4036	1	Decal
16	3256-26	3	Washer-Flat	43	99-4693	1	Decal
17	104-8300	14	Nut-Flange, NI				

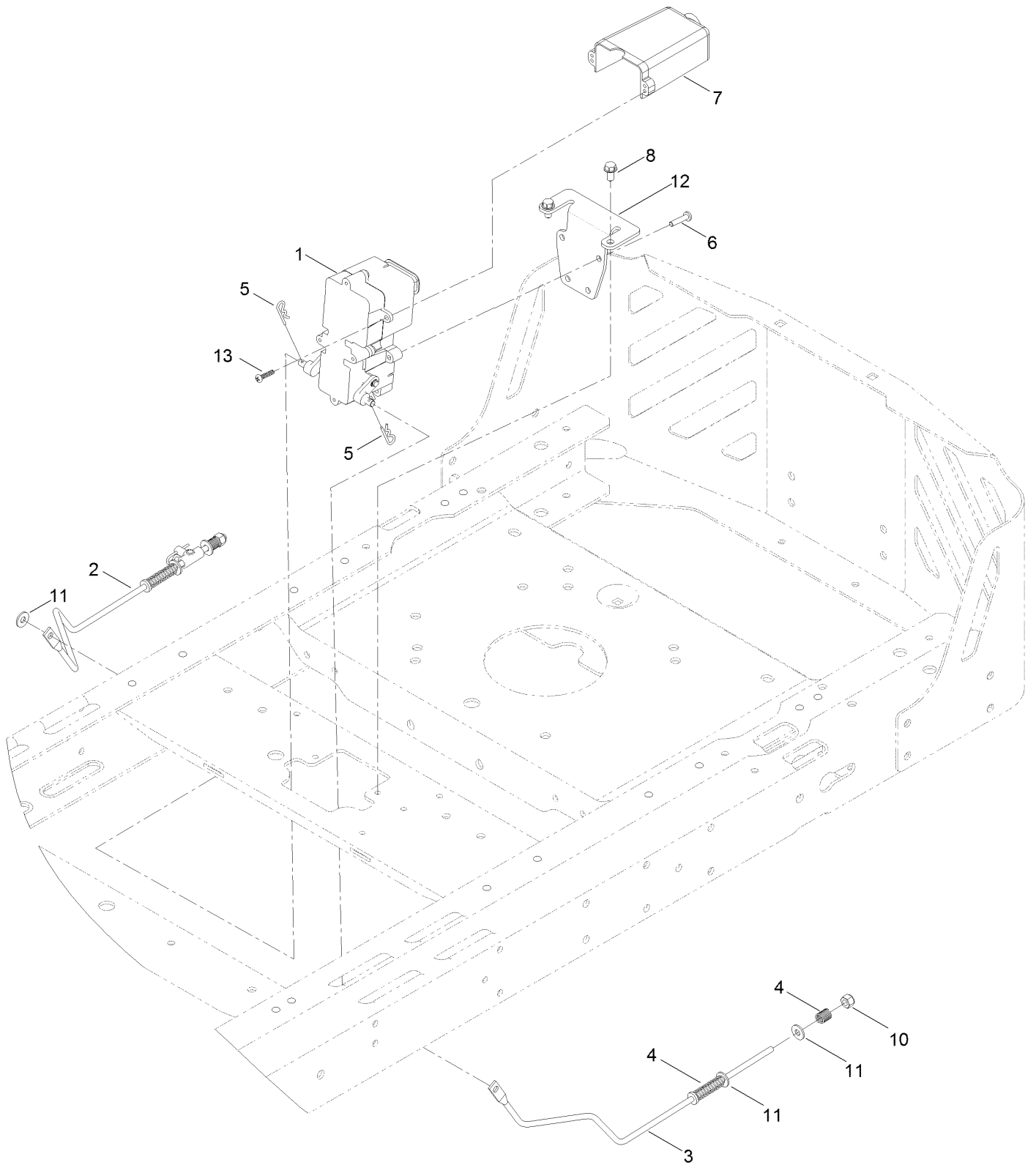
# Motion Control Assembly



## Motion Control Assembly (continued)

<i>Ref.</i>	<i>Part Number</i>	<i>Qty.</i>	<i>Description</i>	<i>Ref.</i>	<i>Part Number</i>	<i>Qty.</i>	<i>Description</i>
1	121-0731	1	Handle-Control, RH	21	3296-56	2	Nut-Lock, NI
1:1	121-0726	1	Grip	22	115-5098-05	2	Lever-Control
2	121-0730	1	Handle-Control, LH	23	120-2273	2	Washer-Nylon
2:1	121-0726	1	Grip	26	115-5099	2	Bolt-Pivot
3	3256-24	4	Washer-Flat	27	119-8876	2	Spring-Return
4	323-6	4	Screw-HH	28	117-5388	2	Rod-Hydro
5	120-7950	2	Screw-Shoulder	29	119-8842	2	Mount-Rod, Hydro
6	119-3470	2	Actuator Arm ASM	30	119-8952	2	Washer
6:2	256-156	2	Bushing-Flange	31	321-3	2	Screw-HH
7	110-6810	2	Stud-Damper	33	117-5385	2	Retainer
8	131-4132	2	Damper	34	32144-1	4	Screw-Taptite
9	3296-42	4	Nut-Lock, NI	40	1-603807	2	Spring-Return, Neutral
10	104-8300	10	Nut-Flange, NI	43	93-6079	2	Spacer-Nylon
11	3256-23	2	Washer-Flat	44	119-8935	1	Knob-RH
13	104-8301	4	Nut-Flange, NI	45	119-8936	1	Knob-LH
14	119-8925	2	Washer-Belleville	46	94-4496	1	Screw-PPH
15	117-1240	2	Washer	47	3234-47	6	Screw-HHF
16	131-1062	1	Speed Control ASM	48	131-3948	1	Decal-Speed Control
17	119-3303	2	Pin-Rod, Hydro	49	32144-70	4	Screw-HWHTF
19	117-1198	2	Bolt-Pivot	50	120-5470	1	Decal-HOC
20	131-1060-03	1	Control Box ASM				

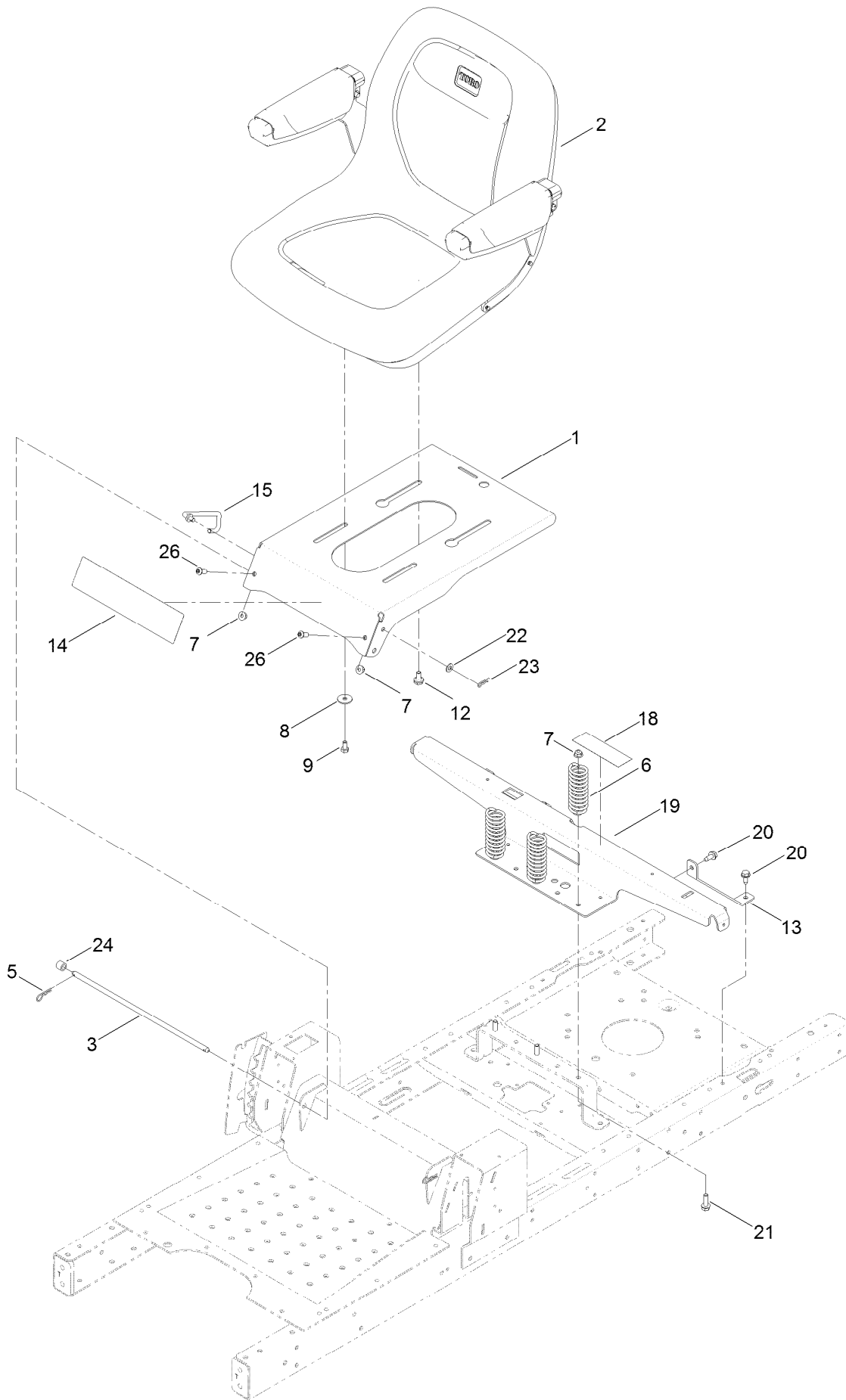
# Brake Assembly



## Brake Assembly (continued)

<i>Ref.</i>	<i>Part Number</i>	<i>Qty.</i>	<i>Description</i>	<i>Ref.</i>	<i>Part Number</i>	<i>Qty.</i>	<i>Description</i>
1	132-0935	1	Brake Box ASM	7	130-6974	1	Cover-Connector
2	121-2976	1	Rod-Brake, Wide (RH)	8	32144-4	2	Screw-HWH
3	121-2977	1	Rod-Brake, Wide (LH)	10	3296-42	2	Nut-Lock, NI
4	117-1169	4	Spring-Compression	11	119-8952	6	Washer
5	3290-307	2	Pin-Cotter	12	130-0790-03	1	Bracket-Mount, Brake
6	32144-36	4	Screw-PPH	13	94-4496	2	Screw-PPH

# Seat Assembly

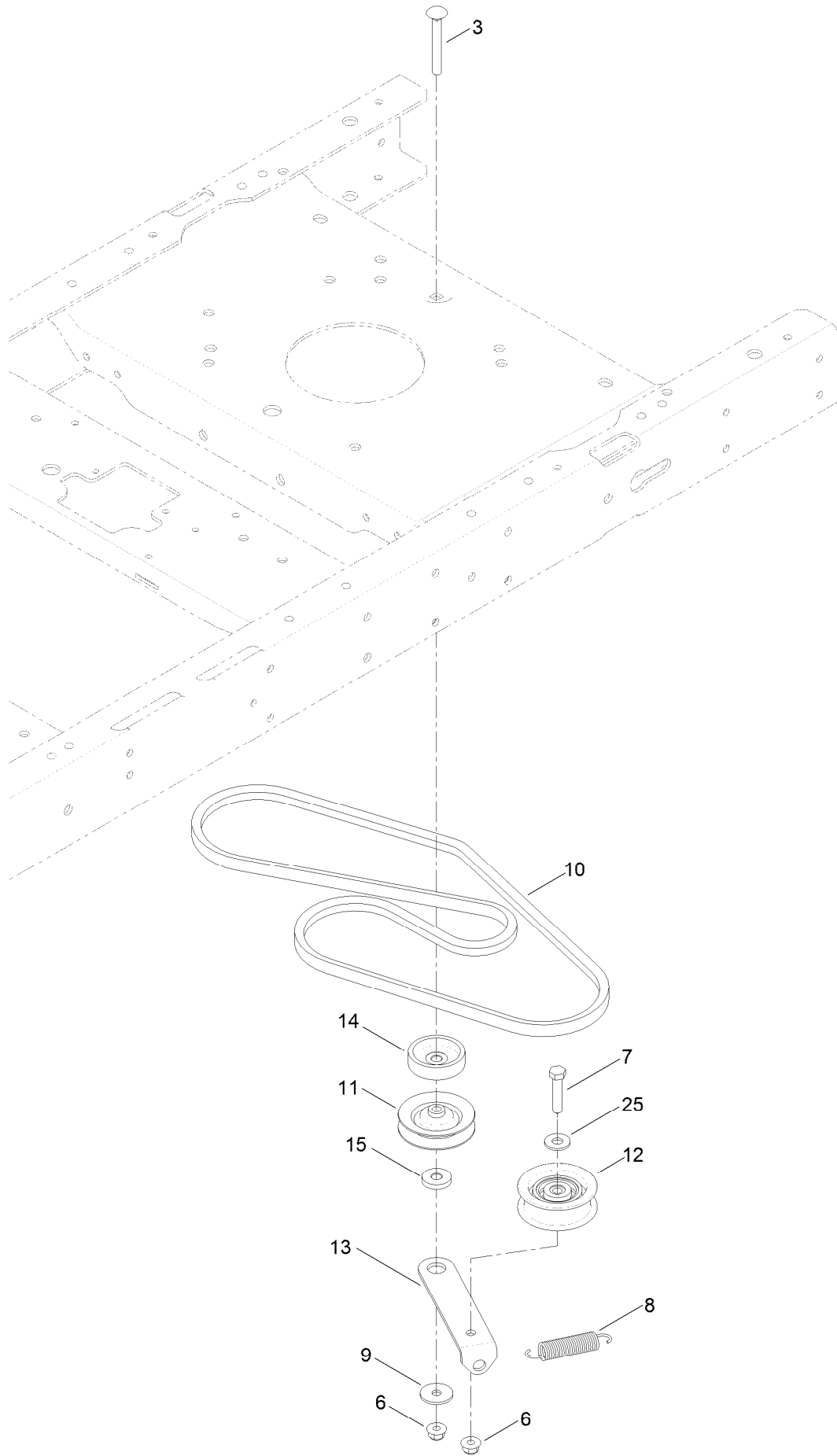


## Seat Assembly (continued)

<i>Ref.</i>	<i>Part Number</i>	<i>Qty.</i>	<i>Description</i>	<i>Ref.</i>	<i>Part Number</i>	<i>Qty.</i>	<i>Description</i>
1	131-4037-01	1	Pan-Seat	14	121-3036	1	Decal-Timecutter
2	119-8830	1	Seat-18 In	15	119-8972	1	Stop-Seat
2:1	105-6978	1	Armrest Kit (Milsco) ●	18	106-8717	1	Decal-Service
3	115-4966	1	Rod-Stop	19	131-1039-03	1	Support-Pod, Wide
5	3290-250	2	Pin-Cotter	20	32144-70	4	Screw-HWHTF
6	92-7054	3	Spring-Compression	21	3234-29	3	Screw-HHF
7	104-8300	5	Nut-Flange, NI	22	3256-23	1	Washer-Flat
8	5-4460	2	Washer-Pivot	23	3290-307	1	Pin-Cotter
9	322-2	2	Screw-HH	24	1-413088	2	Bushing-Lever, Lift
12	37-8771	2	Bolt-Shoulder	26	3274-55	2	Screw-HSBH
13	119-3431-03	2	Support-Tank, Rear				

● Not illustrated

# Belt and Idler Assembly

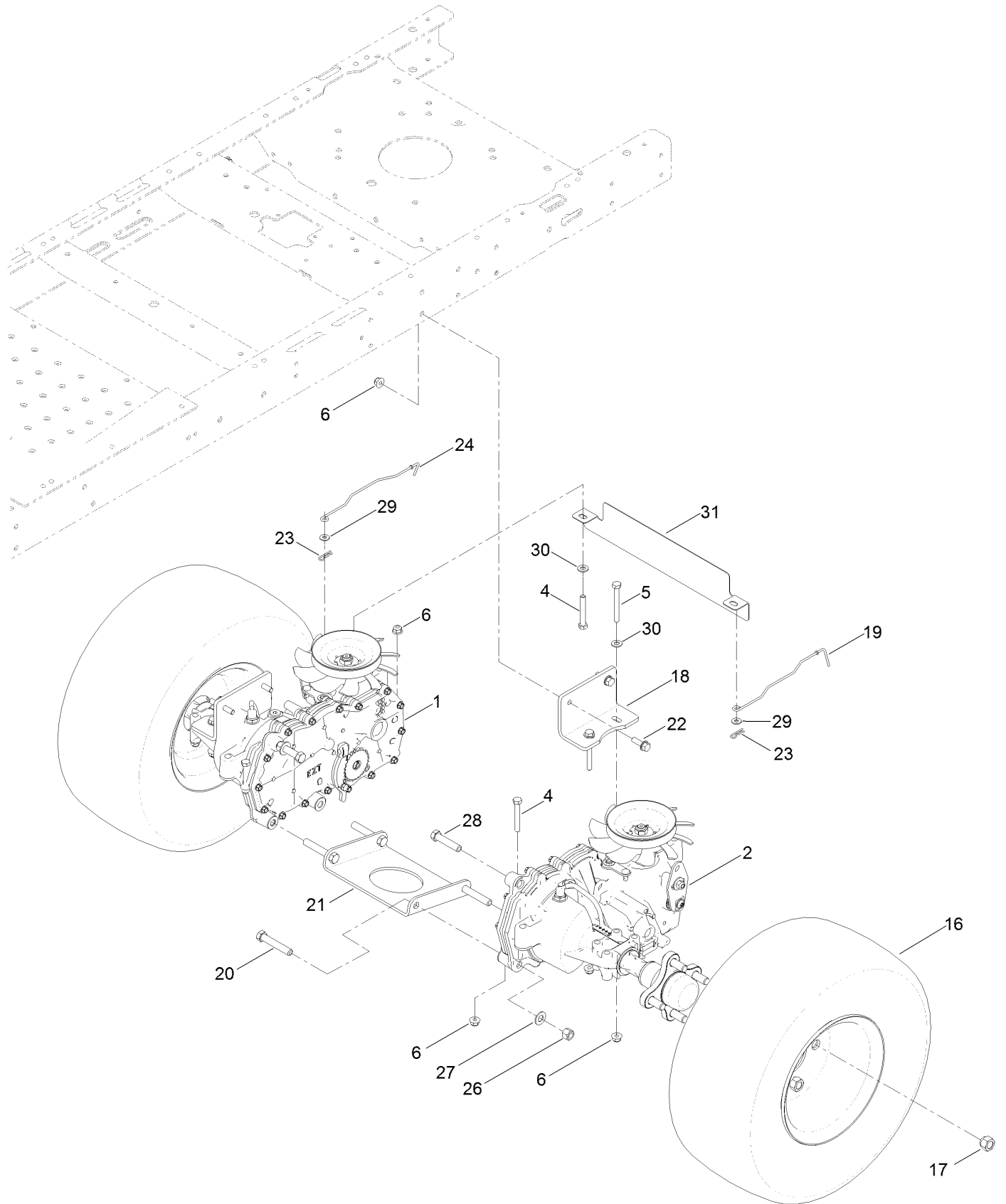




## Belt and Idler Assembly (continued)

<i>Ref.</i>	<i>Part Number</i>	<i>Qty.</i>	<i>Description</i>	<i>Ref.</i>	<i>Part Number</i>	<i>Qty.</i>	<i>Description</i>
3	3230-8	1	Screw-CARR	11	119-8822	1	Pulley-Idler
6	104-8300	2	Nut-Flange, NI	12	106-2176	1	Pulley-Idler
7	322-7	1	Screw-HH	13	119-3326	1	Arm-Idler
8	104-6415	1	Spring-Return, Pedal	14	119-3353	1	Spacer
9	5-4460	1	Washer-Pivot	15	119-3327	1	Spacer-Arm, Idler
10	130-6976	1	V-Belt	25	3256-3	1	Washer-Flat

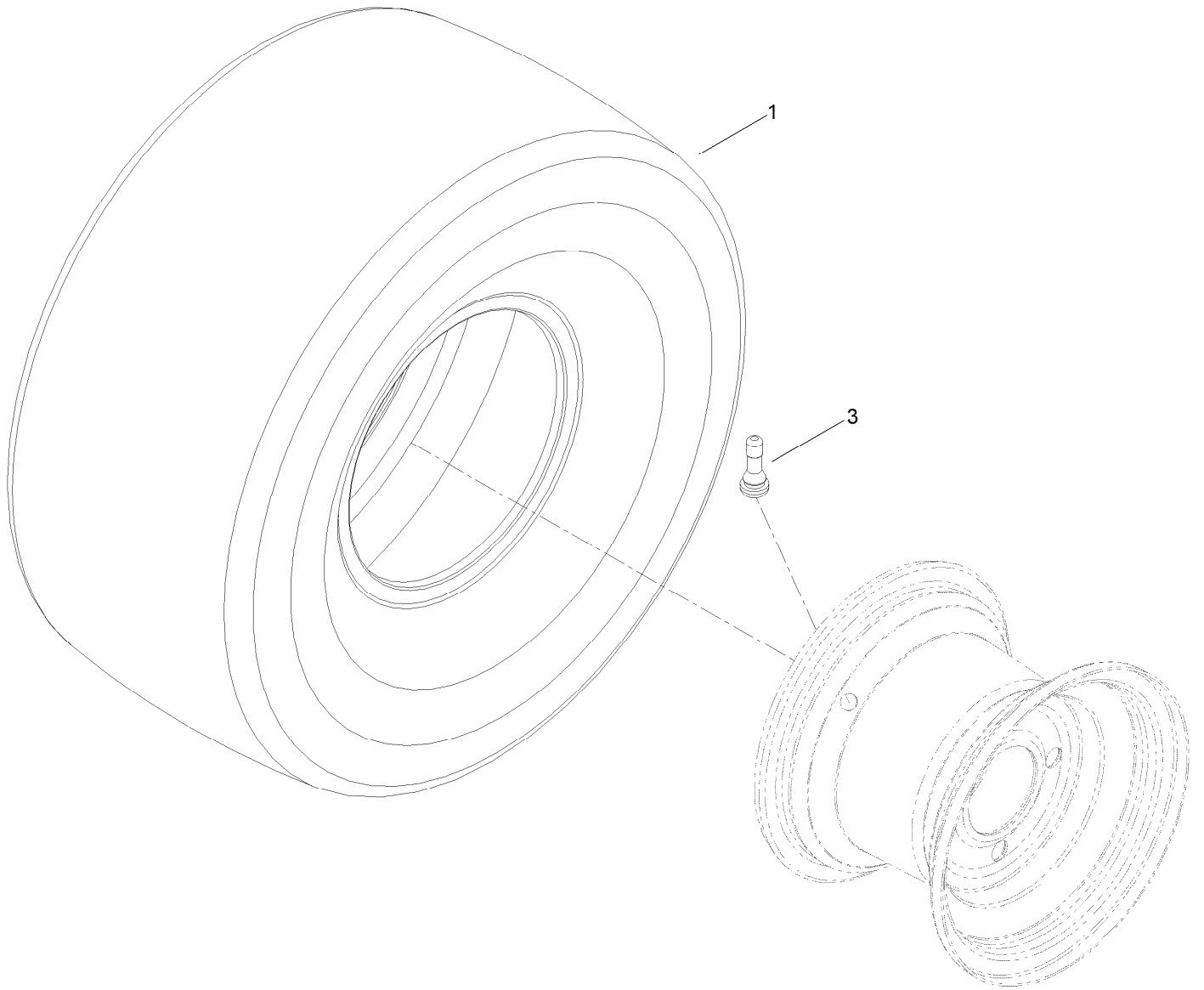
# Hydro Transaxle Drive and Rear Wheel Assembly



## Hydro Transaxle Drive and Rear Wheel Assembly (continued)

<i>Ref.</i>	<i>Part Number</i>	<i>Qty.</i>	<i>Description</i>	<i>Ref.</i>	<i>Part Number</i>	<i>Qty.</i>	<i>Description</i>
1	119-3351	1	RH Hydro Transaxle ASM	21	119-3342-03	1	Plate-Cross, Hydro
2	119-3350	1	LH Hydro Transaxle ASM	22	3234-29	4	Screw-HHF
4	322-11	4	Screw-HH	23	3290-307	2	Pin-Cotter
5	322-13	4	Screw-HH	24	130-7049	1	Rod-Bypass, RH
6	104-8300	12	Nut-Flange, NI	26	3296-48	6	Nut-Lock, NI
16	131-3672	2	2 Ply Tire And Wheel ASM	27	3256-25	6	Washer-Flat
17	242-50	8	Nut-Lug	28	324-8	2	Screw-HH
18	117-7264-03	2	Mount-Hydro	29	119-8952	2	Washer
19	131-0900	1	Rod-Bypass, LH	30	3256-23	6	Washer-Flat
20	324-10	4	Screw-HH	31	131-1098-03	1	Guard Rear, Wide

# 2 Ply Wheel and Tire Assembly No. 131-3672

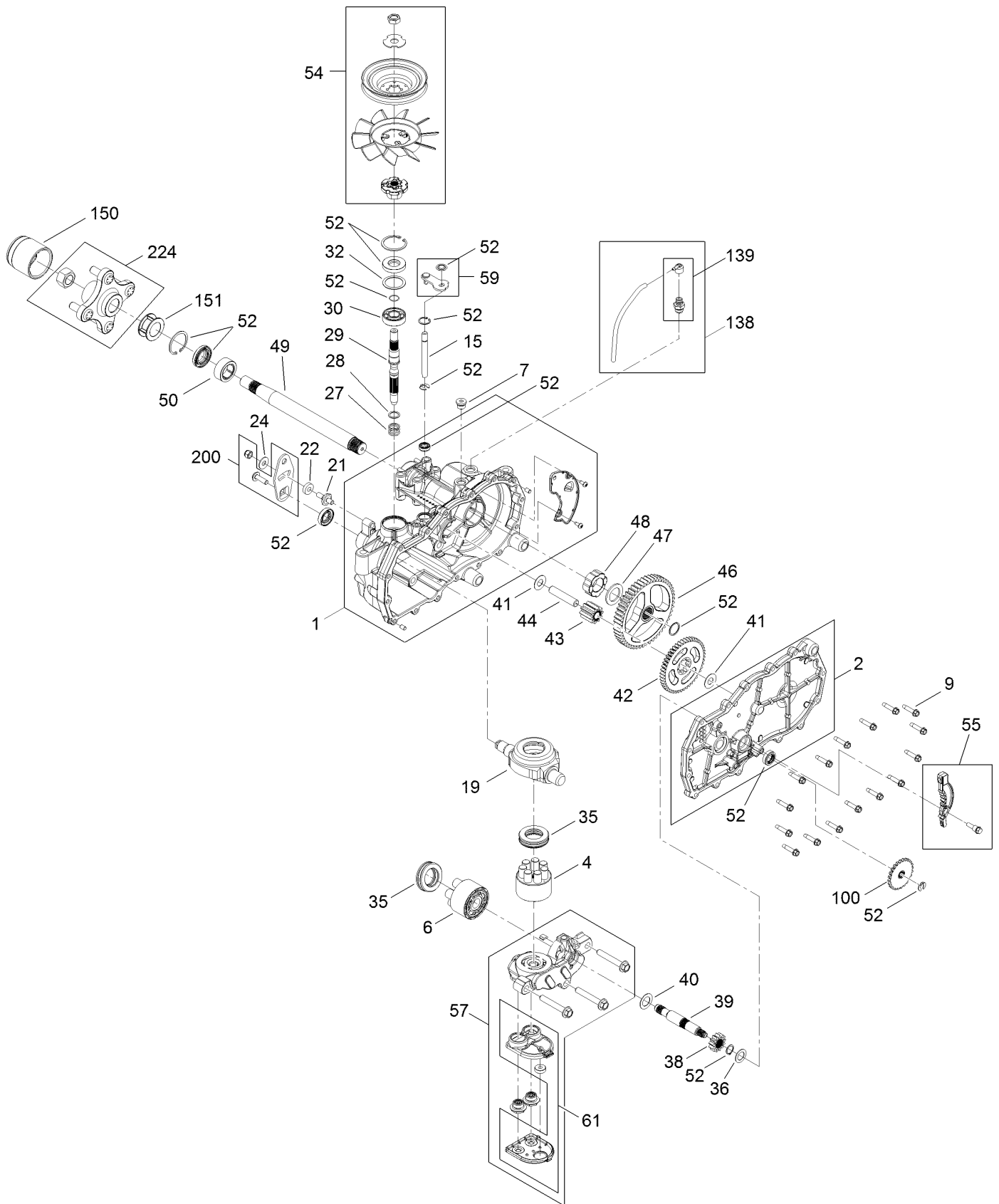


## 2 Ply Wheel and Tire Assembly No. 131-3672 (continued)

<i>Ref.</i>	<i>Part Number</i>	<i>Qty.</i>	<i>Description</i>
1	131-3679	1	Tire-2Ply
3	232-27	1	Stem-Valve
99	232-37	1	Tube ●

● Not illustrated

# Left Hand Hydro Transaxle Assembly No. 119-3350

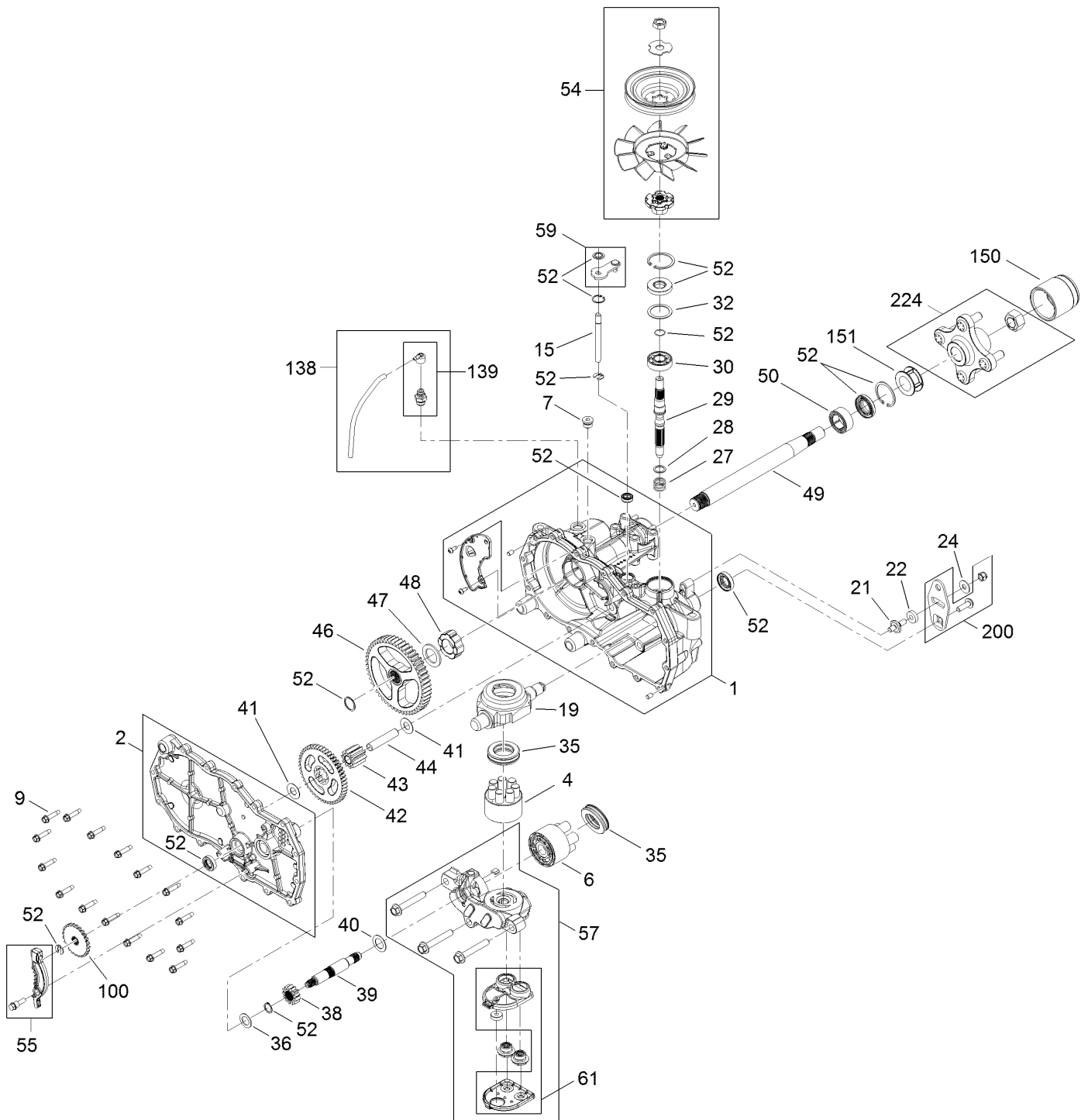


# Left Hand Hydro Transaxle Assembly No. 119-3350 (continued)

<i>Ref.</i>	<i>Part Number</i>	<i>Qty.</i>	<i>Description</i>	<i>Ref.</i>	<i>Part Number</i>	<i>Qty.</i>	<i>Description</i>
1	106-8695	1	Main Housing ASM	42	104-5317	1	Gear-10T/48T
2	106-8696	1	Side ASM	43	104-5318	1	Gear-Jackshaft, 10T
4	110-8561	1	Pump Block ASM	44	104-5329	1	Pin-Jackshaft
6	103-2666	1	Cylinder Block Kit	46	112-9855	1	Gear-52T, Bull
7	104-2189	1	Plug-Thread, Straight	47	112-9856	1	Washer
9	104-5305	16	Screw-HHF	48	112-9857	1	Bearing-Sleeve
15	106-8678	1	Rod-Bypass	49	120-7104	1	Shaft-Axle
19	104-5304	1	Swashplate-Trunnion	50	112-9859	1	Bushing-Axle
21	104-2116	1	Stud	52	106-8686	1	Seal Kit ●
22	112-9853	1	Puck-Friction	54	121-5746	1	Fan Pulley Kit
24	114-8491	1	Washer	55	106-8688	1	Brake Arm Kit
27	120-5537	1	Spring-Compression	57	112-9861	1	Center Section Filter Kit
28	120-5538	1	Washer	58	104-2147	1	Sealant ●
29	104-5306	1	Shaft-Input	59	120-5549	1	Bypass Kit
30	104-5311	1	Bearing-Ball	61	114-1634	1	Filter Kit
32	104-5308	1	Spacer	100	106-8694	1	Disc-Brake, Cog
35	94-6922	2	Bearing-Thrust	138	112-9866	1	Breather Kit
36	104-5339	1	Washer-Flat	139	114-1635	1	Breather ASM
38	104-5316	1	Gear-Pinion, 13T	150	115-5057	1	Cover-Nut, Axle
39	106-8683	1	Shaft-Motor	151	120-7109	1	Tube-Axle
40	104-5360	1	Washer	200	117-5362	1	Arm Control Kit
41	119-5541	2	Washer	224	109-5939	1	Hub Kit

● Not illustrated

# Right Hand Hydro Transaxle Assembly No. 119-3351



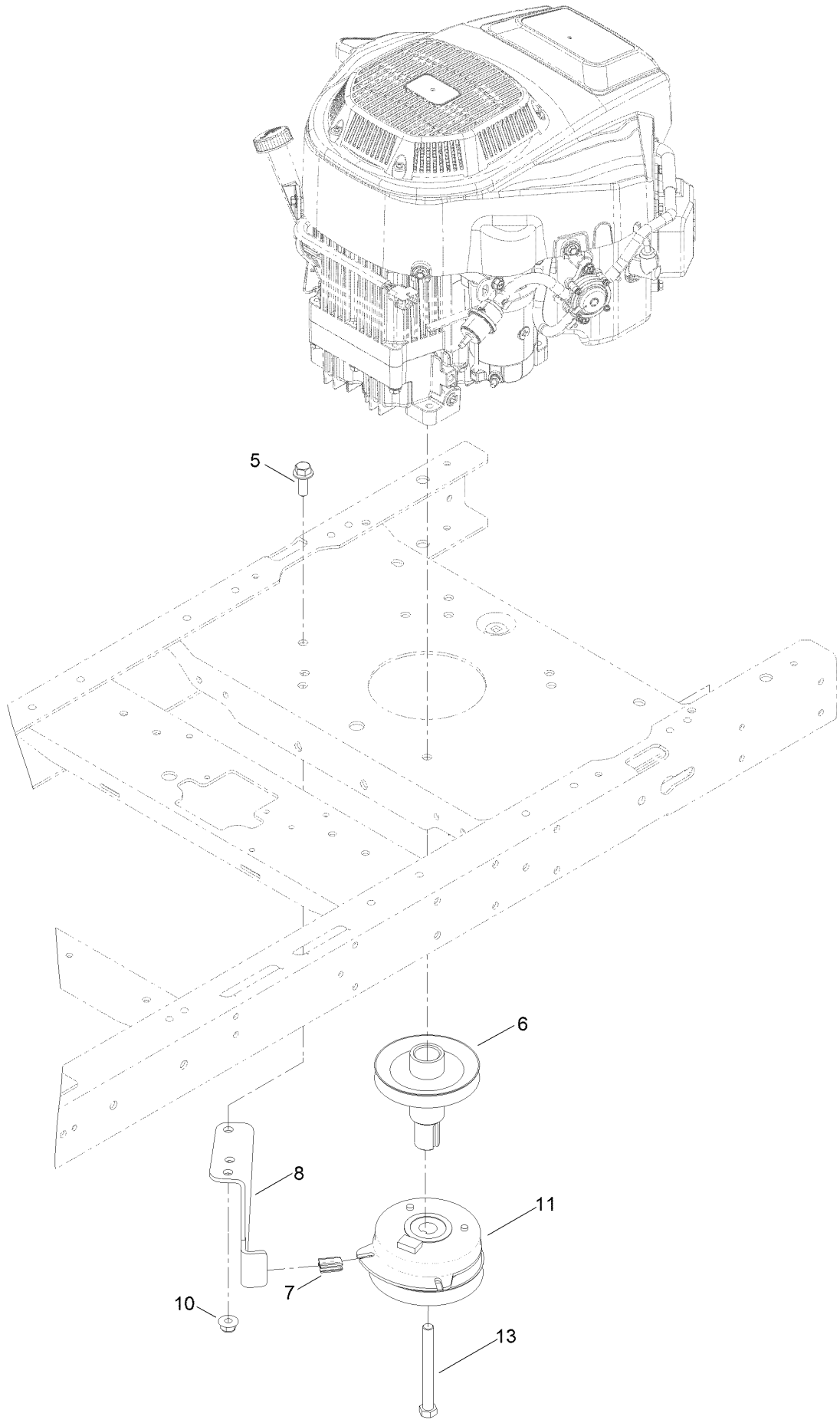


# Right Hand Hydro Transaxle Assembly No. 119-3351 (continued)

<i>Ref.</i>	<i>Part Number</i>	<i>Qty.</i>	<i>Description</i>	<i>Ref.</i>	<i>Part Number</i>	<i>Qty.</i>	<i>Description</i>
1	106-8674	1	Main Housing ASM	42	104-5317	1	Gear-10T/48T
2	106-8675	1	Side ASM	43	104-5318	1	Gear-Jackshaft, 10T
4	110-8561	1	Pump Block ASM	44	104-5329	1	Pin-Jackshaft
6	103-2666	1	Cylinder Block Kit	46	112-9855	1	Gear-52T, Bull
7	104-2189	1	Plug-Thread, Straight	47	112-9856	1	Washer
9	104-5305	16	Screw-HHF	48	112-9857	1	Bearing-Sleeve
15	106-8678	1	Rod-Bypass	49	120-7104	1	Shaft-Axle
19	104-5304	1	Swashplate-Trunnion	50	112-9859	1	Bushing-Axle
21	104-2116	1	Stud	52	106-8686	1	Seal Kit ●
22	112-9853	1	Puck-Friction	54	121-5746	1	Fan Pulley Kit
24	114-8491	1	Washer	55	106-8688	1	Brake Arm Kit
27	120-5537	1	Spring-Compression	57	112-9862	1	Center Section Filter Kit
28	120-5538	1	Washer	58	104-2147	1	Sealant ●
29	104-5306	1	Shaft-Input	59	107-2489	1	Bypass Arm Kit
30	104-5311	1	Bearing-Ball	61	114-1634	1	Filter Kit
32	104-5308	1	Spacer	100	106-8694	1	Disc-Brake, Cog
35	94-6922	2	Bearing-Thrust	138	112-9866	1	Breather Kit
36	104-5339	1	Washer-Flat	139	114-1635	1	Breather ASM
38	104-5316	1	Gear-Pinion, 13T	150	115-5057	1	Cover-Nut, Axle
39	106-8683	1	Shaft-Motor	151	120-7109	1	Tube-Axle
40	104-5360	1	Washer	200	117-5362	1	Arm Control Kit
41	119-5541	2	Washer	224	109-5939	1	Hub Kit

● Not illustrated

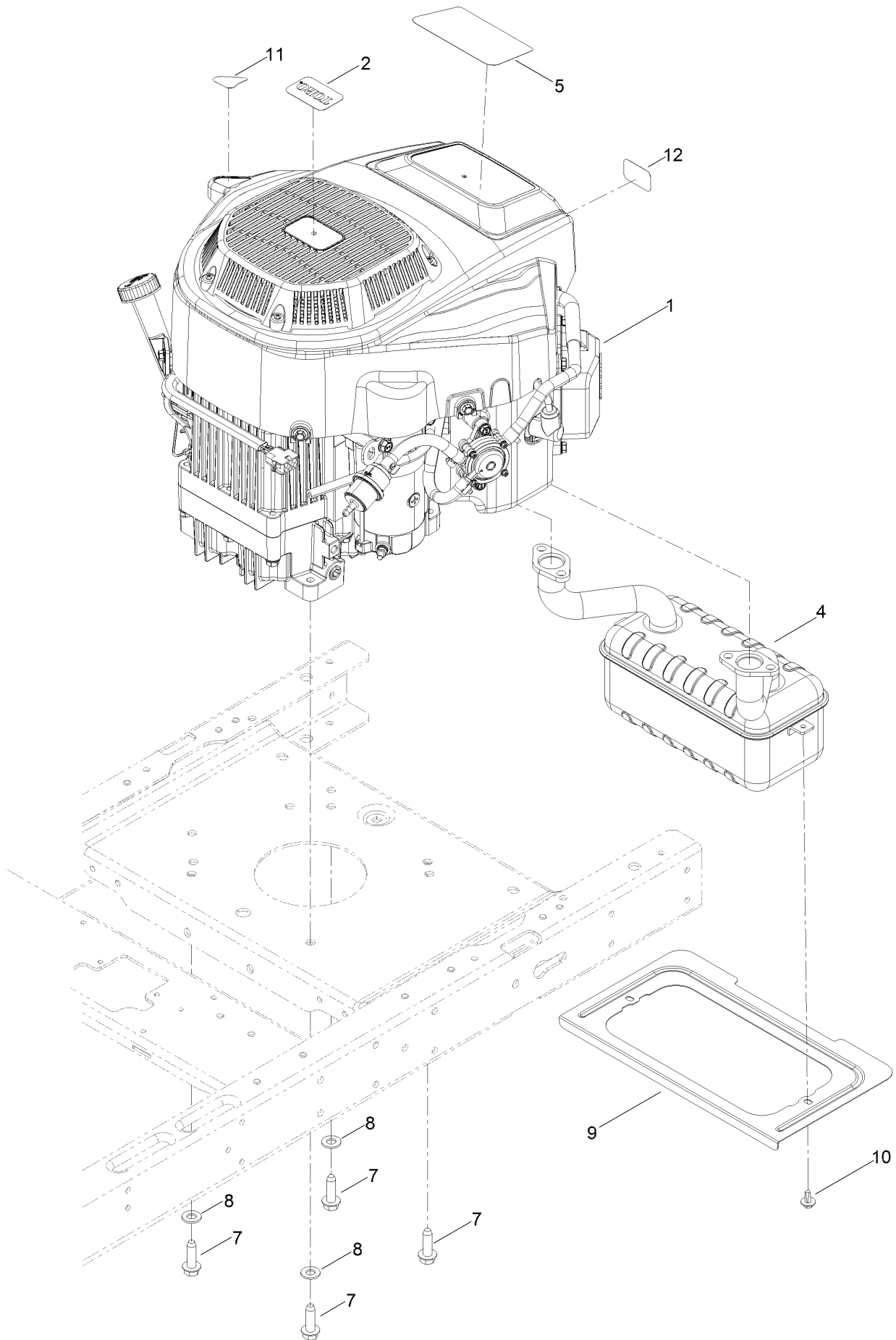
# Clutch Assembly



## Clutch Assembly (continued)

<i>Ref.</i>	<i>Part Number</i>	<i>Qty.</i>	<i>Description</i>	<i>Ref.</i>	<i>Part Number</i>	<i>Qty.</i>	<i>Description</i>
5	3234-42	1	Screw-HHF	10	104-8301	1	Nut-Flange, NI
6	130-6854	1	Pulley-Engine	11	127-3408	1	Clutch-PTO
7	120-2217	1	Isolator-Clutch	13	3212-17	1	Screw-HH
8	119-8885	1	Stop-Clutch				

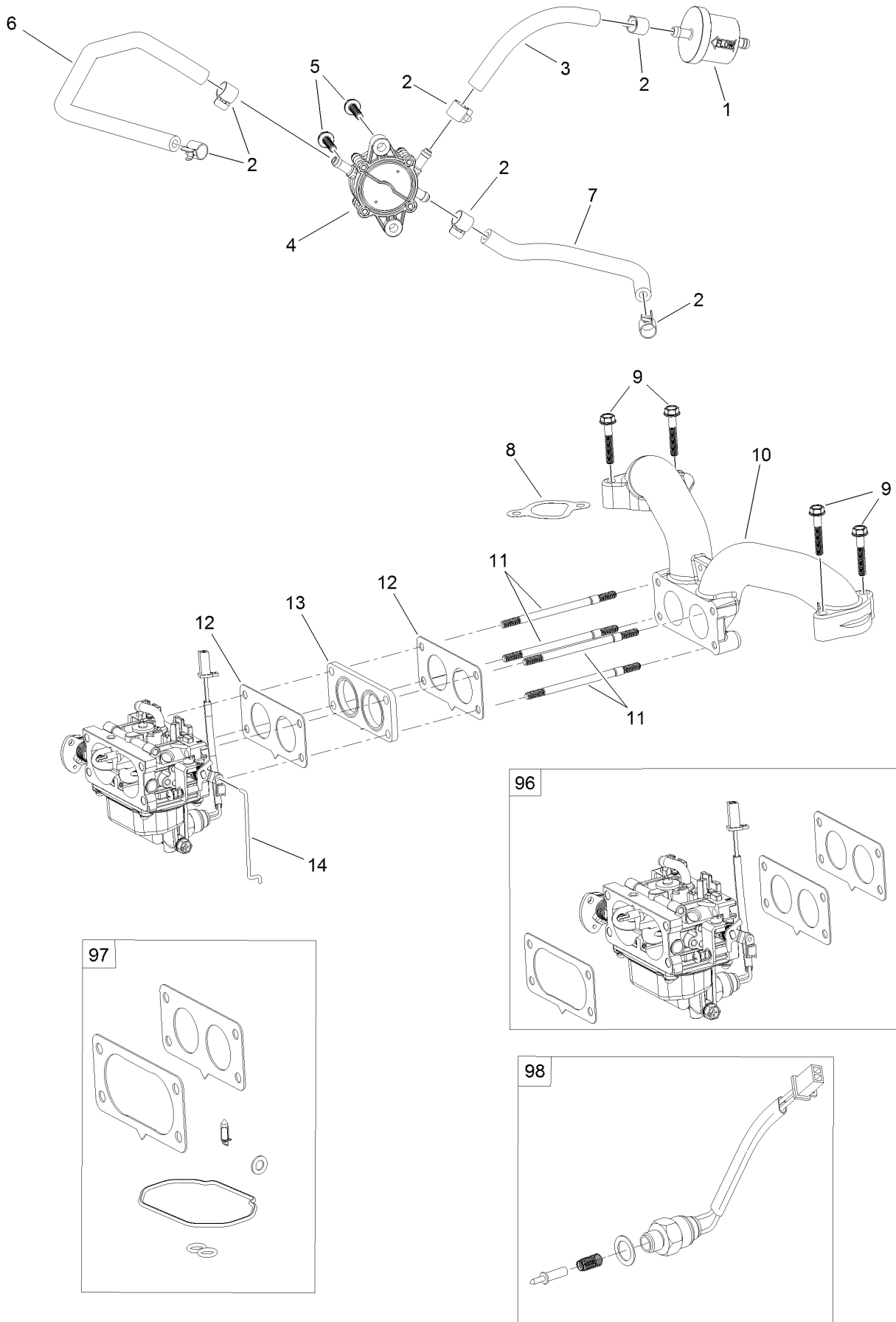
# Engine and Muffler Assembly



## Engine and Muffler Assembly (continued)

<i>Ref.</i>	<i>Part Number</i>	<i>Qty.</i>	<i>Description</i>	<i>Ref.</i>	<i>Part Number</i>	<i>Qty.</i>	<i>Description</i>
1	127-9041	1	Engine-Lc2P77F	8	3256-24	3	Washer-Flat
2	131-4157	1	Decal	9	131-1071-03	1	Shield-Heat
4	130-6851	1	Muffler	10	46-8560	2	Screw-HHFTF
5	132-0902	1	Decal-Engine	11	131-1097	1	Decal-Drain, Oil
7	32144-109	4	Screw-Taptite	12	127-9076	1	Placard

# Fuel System Assembly Engine Assembly No. 127-9041



# Fuel System Assembly

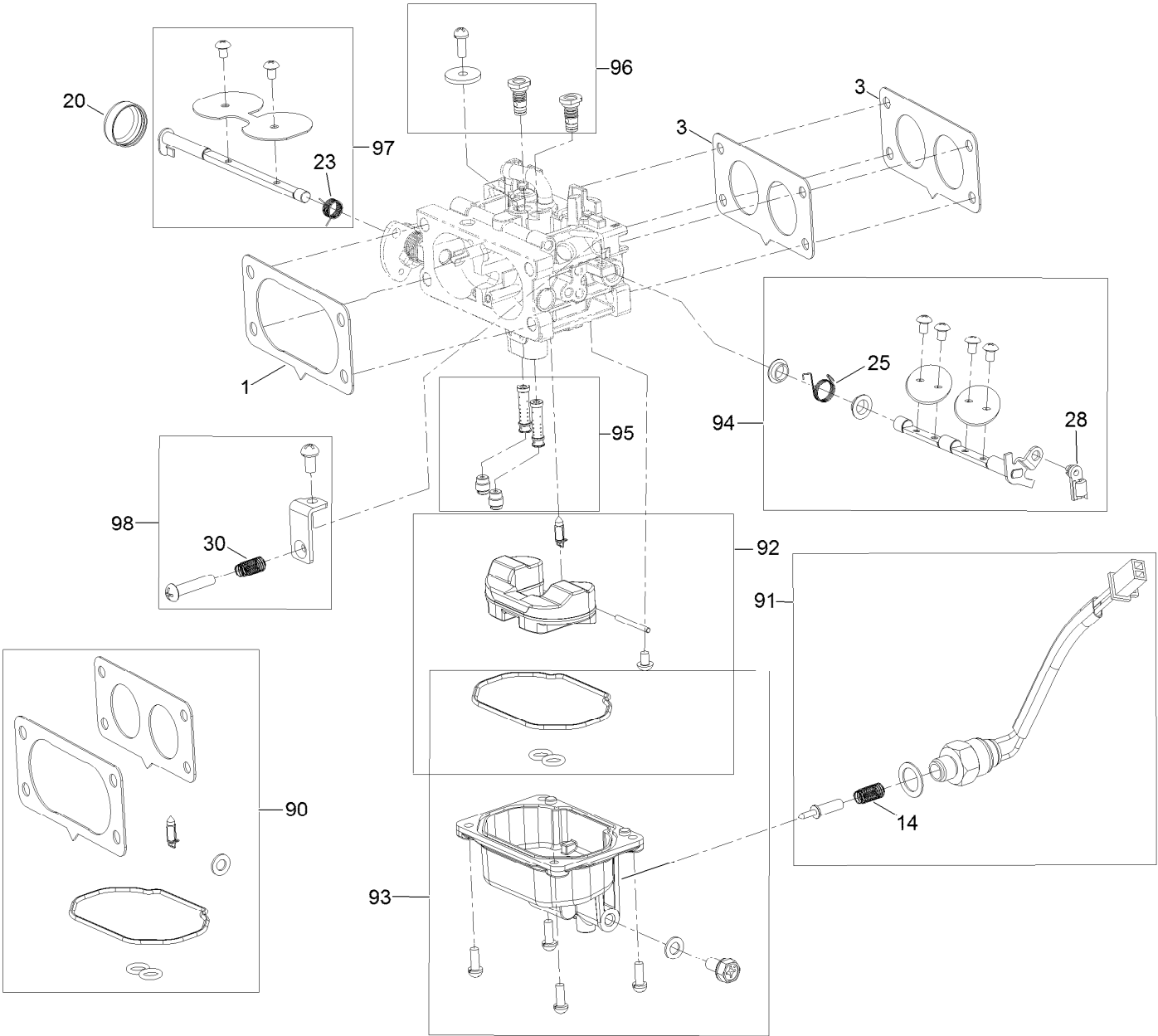
## Engine Assembly No. 127-9041 (continued)

<i>Ref.</i>	<i>Part Number</i>	<i>Qty.</i>	<i>Description</i>	<i>Ref.</i>	<i>Part Number</i>	<i>Qty.</i>	<i>Description</i>
1	133-1563	1	Filter-Fuel	10	127-9244	1	Manifold-Intake
2	120-4251	6	Clamp-Fuel Line	11	127-9245	4	Stud
3	120-4371	1	Line-Fuel	12	127-9246	2	Gasket-Carburetor
4	127-9206	1	Pump-Fuel	13	127-9247	1	Insulator-Carburetor
5	120-4225	2	Screw-HHF	14	127-9248	1	Linkage-Throttle
6	127-9205	1	Hose-Fuel	96	127-9289	1	Carburetor Replacement Kit
7	127-9207	1	Hose-Fuel	97	127-9290	1	Carburetor Repair Kit
8	127-9230	2	Gasket-Intake	98	127-9292	1	Solenoid Kit
9	120-4284	4	Screw-HHF	99	127-9303	1	High Altitude Kit-Lc2P77 ●

● Not illustrated

# Carburetor Assembly No. 127-9249

## Engine Assembly 127-9041

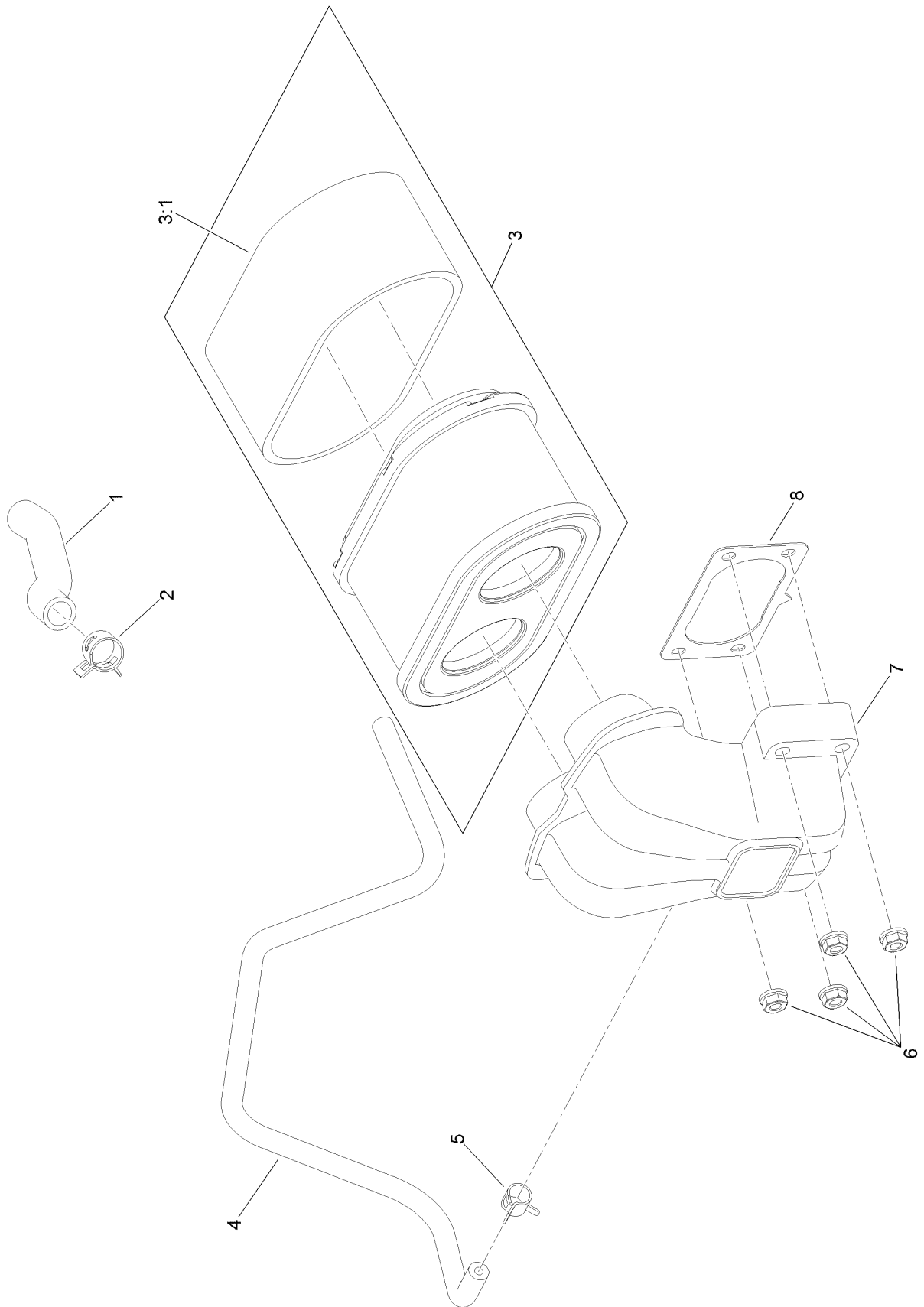




## Carburetor Assembly No. 127-9249 Engine Assembly 127-9041 (continued)

<i>Ref.</i>	<i>Part Number</i>	<i>Qty.</i>	<i>Description</i>	<i>Ref.</i>	<i>Part Number</i>	<i>Qty.</i>	<i>Description</i>
1	127-9249	1	Carburetor	90	127-9290	1	Carburetor Repair Kit
1	127-9251	1	Gasket-Carburetor	91	127-9292	1	Solenoid Kit
3	127-9246	2	Gasket-Carburetor	92	127-9340	1	Float Kit
14	127-9319	1	Spring	93	127-9341	1	Bowl Kit
20	127-9325	1	Cover, Choke Shaft	94	127-9342	1	Throttle Shaft Kit
23	127-9328	1	Spring	95	127-9343	1	Needle And Jet Kit
25	127-9330	1	Spring	96	127-9344	1	Air Jet Kit
28	127-9333	1	Lock Clamp	97	127-9345	1	Choke Shaft Kit
30	127-9335	1	Spring	98	127-9347	1	Idlestop Kit

# Air Intake and Filtration Assembly Engine Assembly No. 127-9041

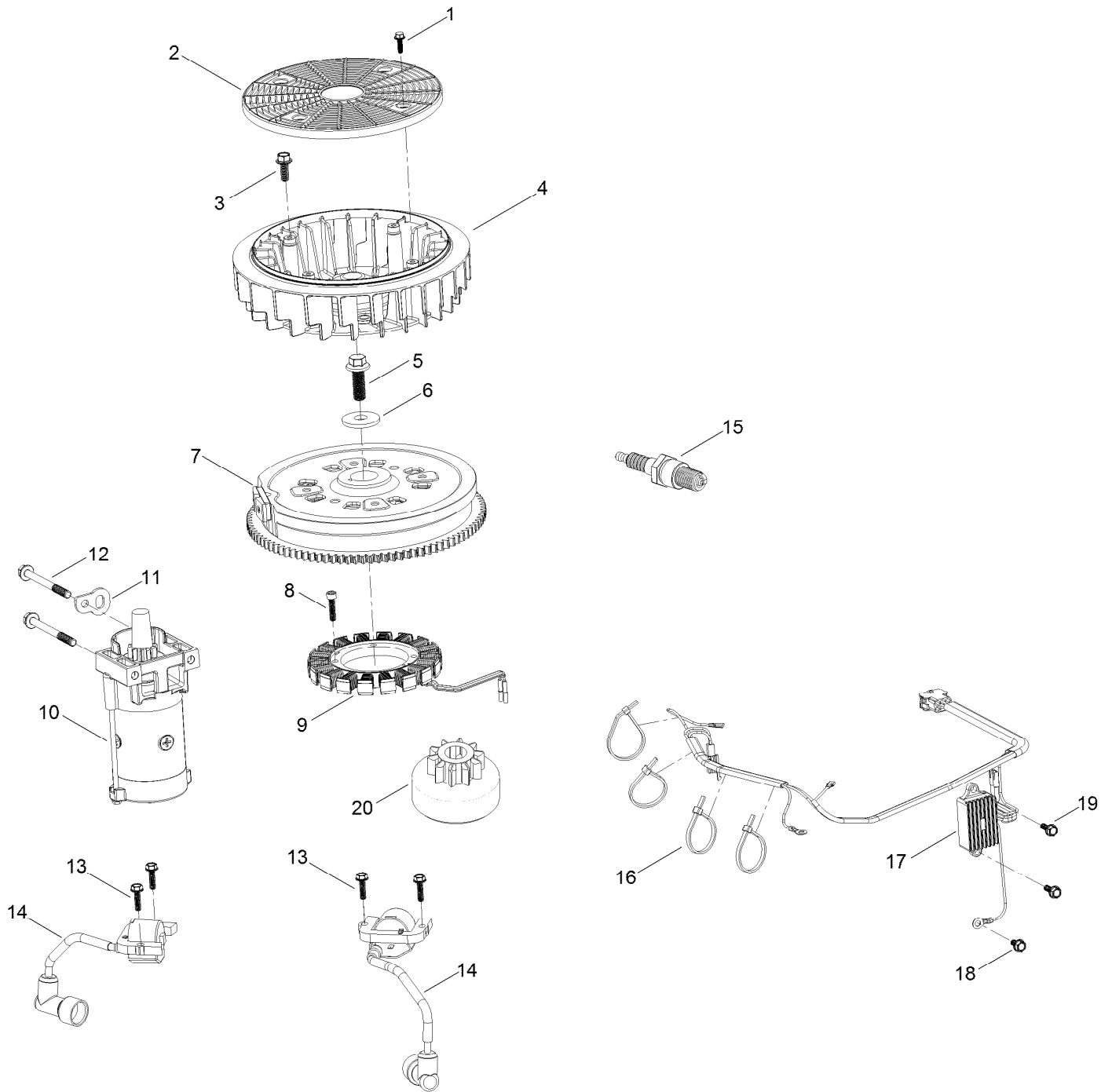


## Air Intake and Filtration Assembly Engine Assembly No. 127-9041 (continued)

<i>Ref.</i>	<i>Part Number</i>	<i>Qty.</i>	<i>Description</i>
1	127-9235	1	Tube-Breather
2	127-9234	2	Clamp-Hose
3	127-9252	1	Filter-Air, Complete
3:1	127-9288	1	Filter-Pre, Foam
4	127-9253	1	Hose-Fuel

<i>Ref.</i>	<i>Part Number</i>	<i>Qty.</i>	<i>Description</i>
5	127-9187	1	Clamp-Hose
6	120-4236	4	Nut-Flange
7	127-9047	1	Manifold-Filter, Air
8	127-9251	1	Gasket-Carburetor

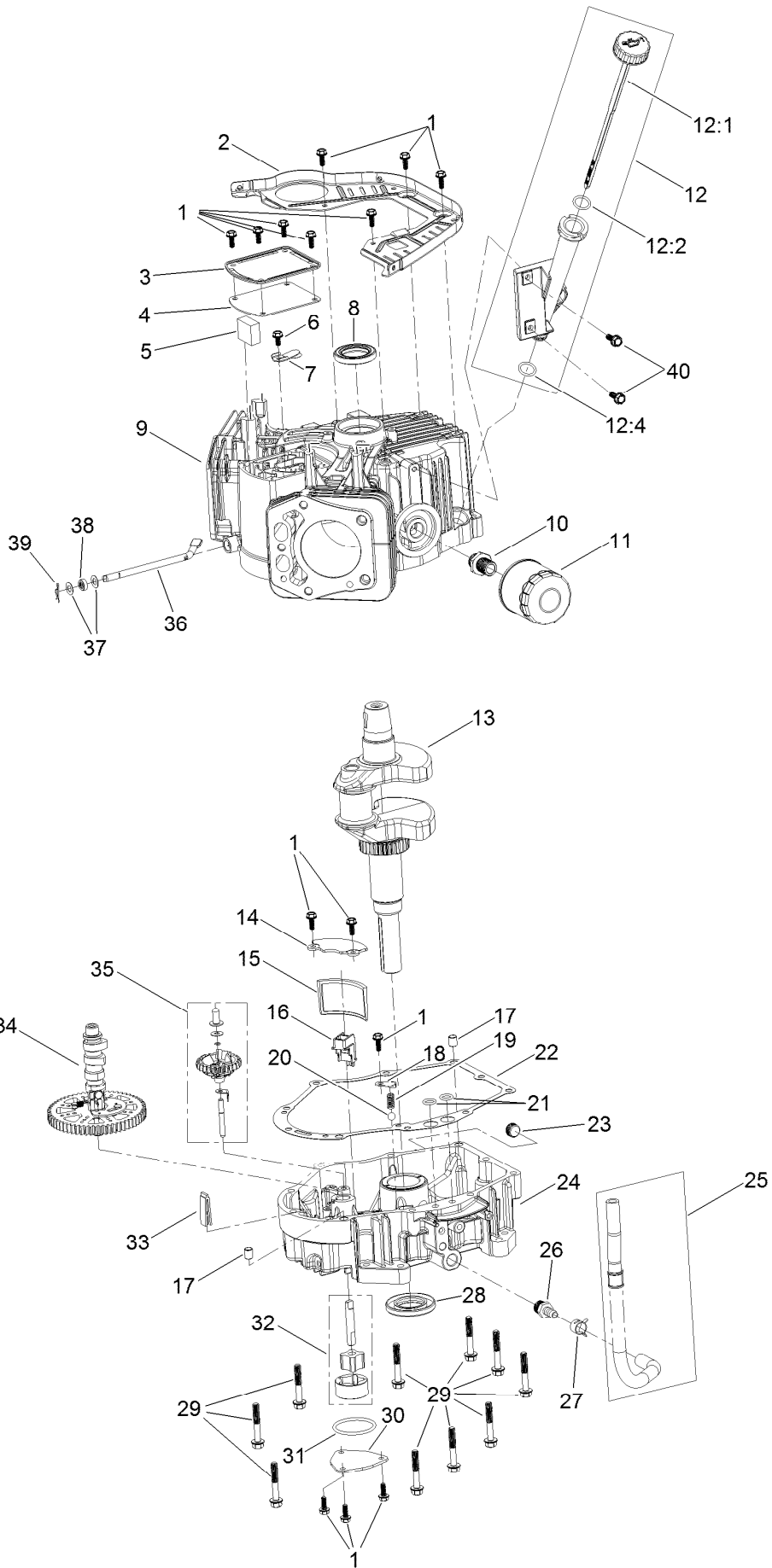
# Ignition and Electrical Assembly Engine Assembly No. 127-9041



## Ignition and Electrical Assembly Engine Assembly No. 127-9041 (continued)

<i>Ref.</i>	<i>Part Number</i>	<i>Qty.</i>	<i>Description</i>	<i>Ref.</i>	<i>Part Number</i>	<i>Qty.</i>	<i>Description</i>
1	127-9197	4	Screw-HWH	12	120-4231	2	Screw-HHF
2	127-9198	1	Screen-Rotating	13	121-0007	4	Bolt-Flange
3	127-9199	4	Screw-HWH	14	127-9216	2	Ignition Coil ASM
4	127-9200	1	Fan-Cooling	15	81-3250	2	Spark Plug
5	127-9201	1	Screw-HWH	16	127-9220	4	Tie-Zip
6	127-9202	1	Washer-Flat	17	127-9219	1	Regulator-Voltage W/Harness
7	127-9306	1	Flywheel	18	120-4216	1	Screw-HHF
8	127-9210	4	Screw-HSH	19	120-4232	2	Screw-HHF
9	127-9211	1	Alternator	20	133-1562	1	Pinion-Starter
10	133-1564	1	Motor-Starter				
11	127-9208	1	Bracket-Lift				

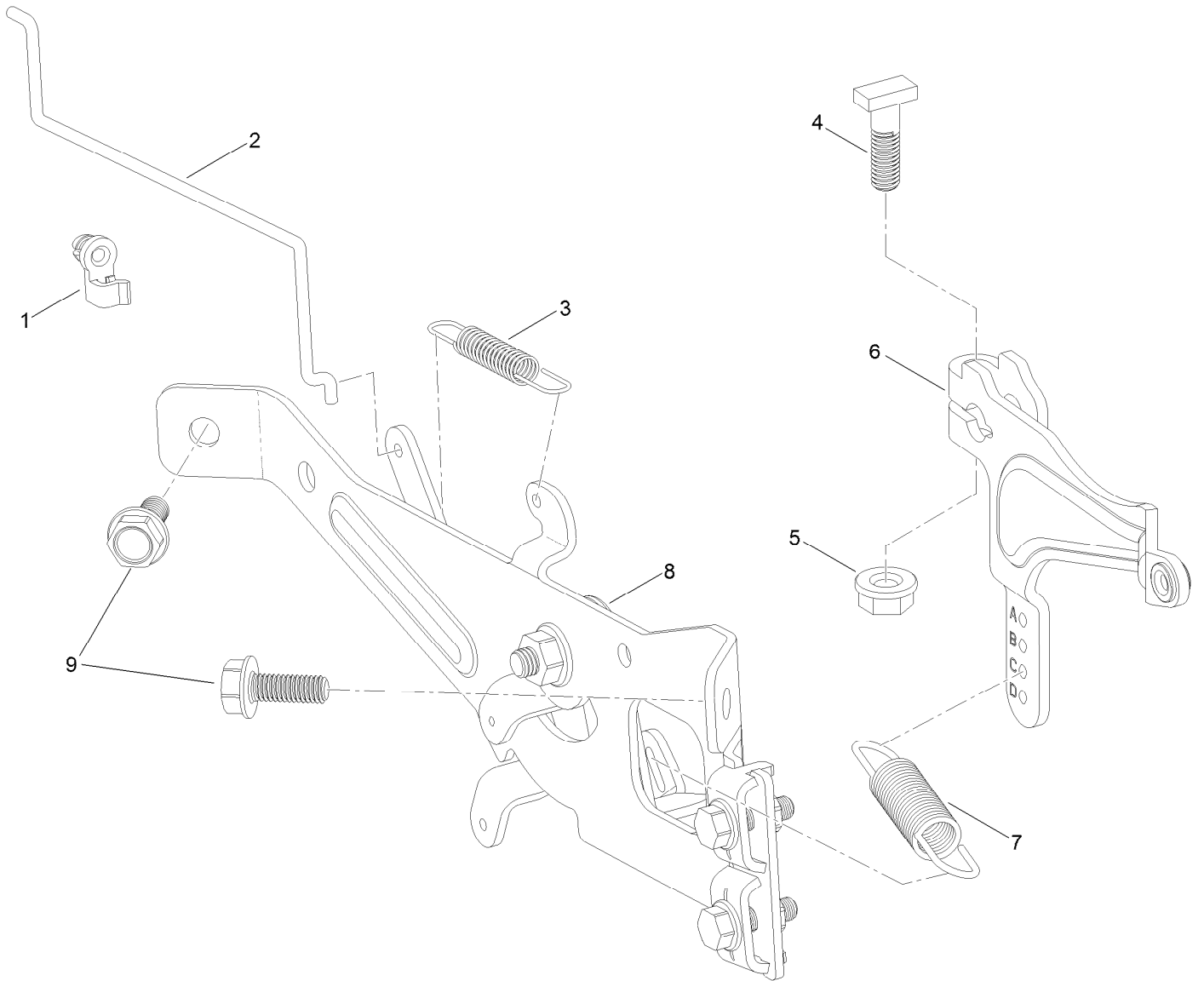
# Crankcase and Crankshaft Assembly Engine Assembly No. 127-9041



## Crankcase and Crankshaft Assembly Engine Assembly No. 127-9041 (continued)

<i>Ref.</i>	<i>Part Number</i>	<i>Qty.</i>	<i>Description</i>	<i>Ref.</i>	<i>Part Number</i>	<i>Qty.</i>	<i>Description</i>
1	120-4232	14	Screw-HHF	20	127-9266	1	Valve-Ball
2	127-9212	1	Baffle	21	120-4262	2	O-Ring
3	127-9213	1	Cover-Breather	22	127-9267	1	Gasket-Cover, Crankcase
4	127-9214	1	Gasket-Breather	23	120-4285	1	Plug-Drain
5	127-9215	1	Filter-Breather	24	127-9268	1	Cover-Crankcase
6	120-4216	1	Screw-HHF	25	127-9293	1	Oil Drain Hose ASM
7	127-9217	1	Valve-Breather	26	127-9275	1	Fitting-Hose
8	120-4267	1	Seal-Oil	27	127-9276	1	Clamp-Hose
9	127-9223	1	Crankcase	28	127-9271	1	Seal
10	127-9221	1	Fitting-Threaded, Oil Filter	29	121-0473	10	Screw-HHF
11	120-4276	1	Filter-Oil	30	127-9274	1	Cover-Oil Pump
12	127-9218	1	Oil Tube ASM	31	127-9273	1	O-Ring
12:1	127-9283	1	Dipstick	32	127-9272	1	Oil Pump ASM
12:2	127-9284	1	O-Ring	33	120-4275	1	Deflector-Oil, Rubber
12:4	127-9286	1	O-Ring	34	133-1568	1	Camshaft
13	127-9255	1	Crankshaft	35	133-1569	1	Governor ASM
14	127-9261	1	Cover-Screen, Oil	36	127-9238	1	Rod-Governor
15	127-9262	1	Screen-Oil	37	120-4258	2	Washer-Plain
16	127-9263	1	Retainer-Screen	38	120-4257	1	Seal-Oil
17	120-4274	2	Pin-Dowel	39	120-4256	1	Pin-Hair
18	127-9264	1	Plate-Retainer	40	120-4232	2	Screw-HHF
19	127-9265	1	Spring				

# Governor Control Assembly Engine Assembly No. 127-9041





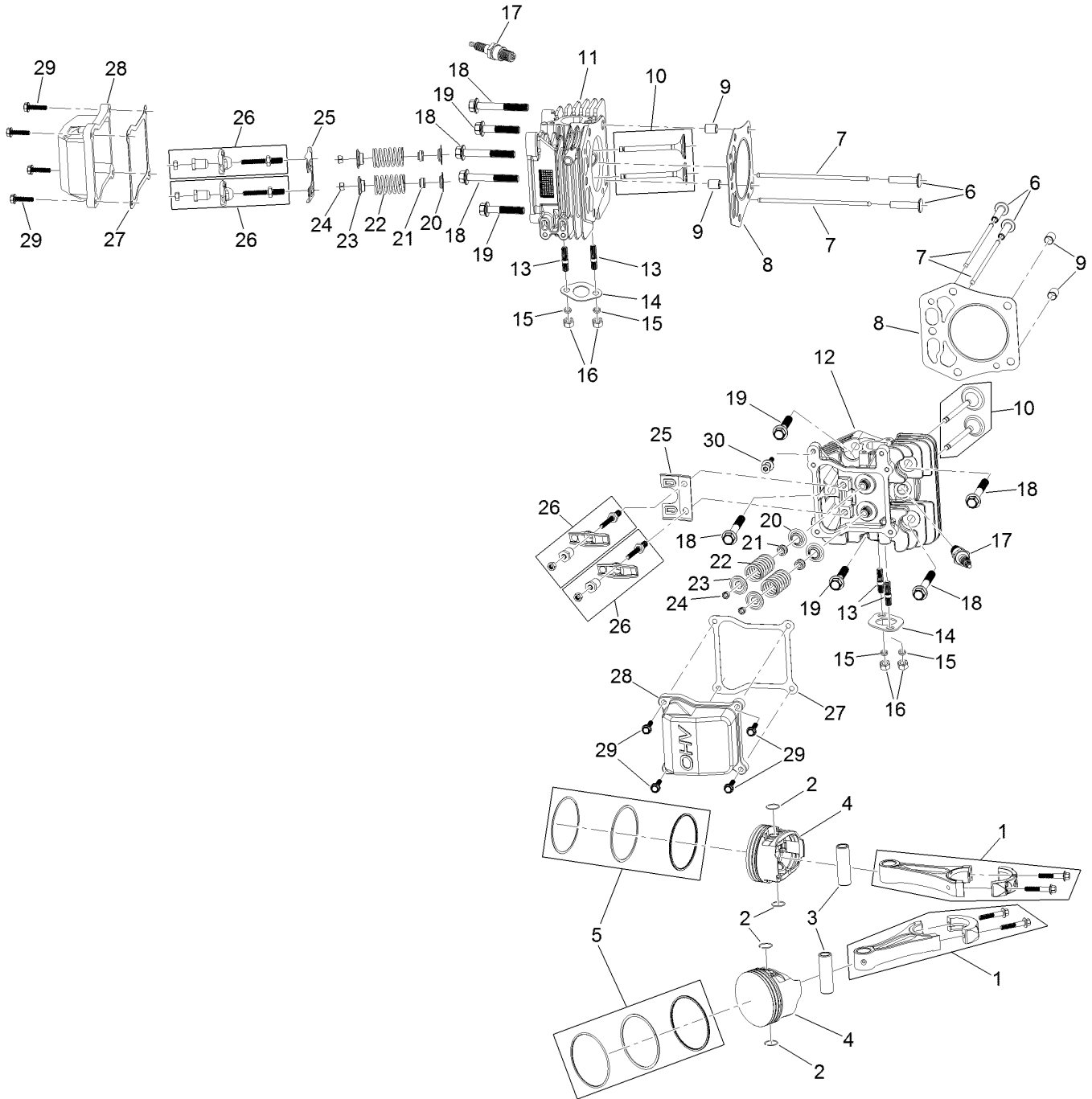
# Governor Control Assembly Engine Assembly No. 127-9041 (continued)

<i>Ref.</i>	<i>Part Number</i>	<i>Qty.</i>	<i>Description</i>
1	127-9250	1	Clip-Linkage
2	127-9242	1	Linkage-Choke
3	127-9241	1	Spring-Governor
4	120-4238	1	Bolt-Arm, Governor
5	120-4236	1	Nut-Flange

<i>Ref.</i>	<i>Part Number</i>	<i>Qty.</i>	<i>Description</i>
6	127-9239	1	Arm-Governor
7	127-9240	1	Spring-Governor
8	133-1570	1	Control Plate ASM
9	120-4232	2	Screw-HHF

# Piston and Cylinder Head Assembly

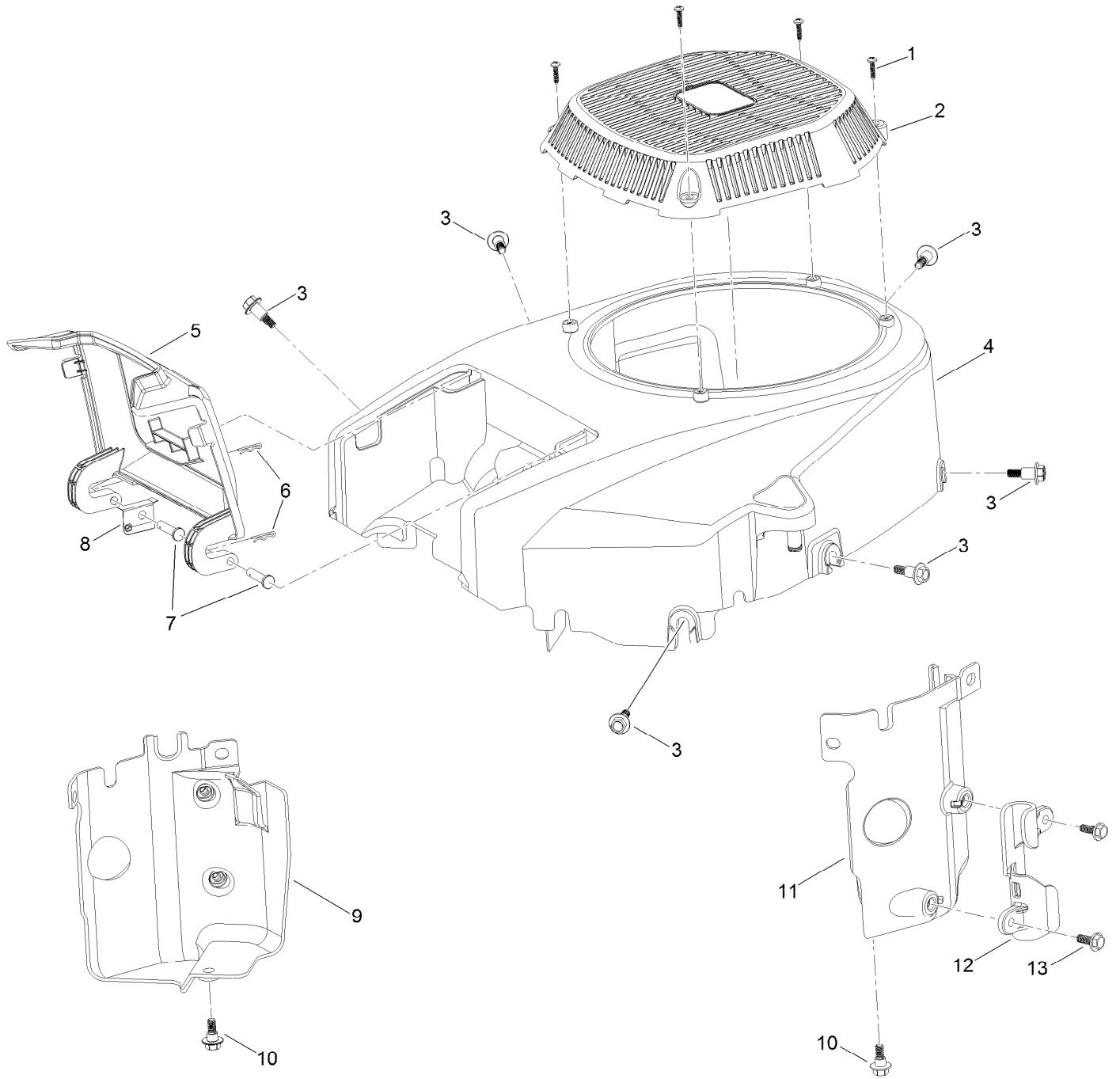
## Engine Assembly No. 127-9041



## Piston and Cylinder Head Assembly Engine Assembly No. 127-9041 (continued)

<i>Ref.</i>	<i>Part Number</i>	<i>Qty.</i>	<i>Description</i>	<i>Ref.</i>	<i>Part Number</i>	<i>Qty.</i>	<i>Description</i>
1	127-9256	2	Connecting Rod ASM	16	121-0199	4	Nut-HH
2	127-9258	4	Clip-Piston Pin	17	81-3250	2	Spark Plug
3	127-9257	2	Pin-Piston	18	127-9231	6	Screw-HWH
4	127-9259	2	Piston	19	127-9232	4	Screw-HWH
5	127-9260	2	Ring Set-Piston	20	120-4303	4	Seat-Spring, Valve
6	127-9224	4	Lifter-Valve	21	120-4304	4	Seal-Stem, Valve
7	127-9225	4	Rod-Push	22	120-4305	4	Spring-Valve
8	127-9226	2	Gasket-Cylinder Head	23	120-4306	4	Retainer-Spring, Valve
9	127-9227	4	Pin-Dowel	24	120-4307	4	Keeper-Valve
10	127-9228	2	Valve Set	25	127-9233	2	Plate-Push Rod, Guide
11	127-9229	1	Head-Cylinder	26	127-9294	4	Rocker Arm ASM
12	127-9254	1	Head-Cylinder	27	127-9295	2	Gasket-Valve Cover
13	127-9236	4	Stud	28	127-9050	2	Cover-Valve
14	120-4317	2	Gasket-Exhaust	29	120-4225	8	Screw-HHF
15	127-9279	4	Washer-Lock, Split	30	120-4214	1	Screw-Shoulder, HH

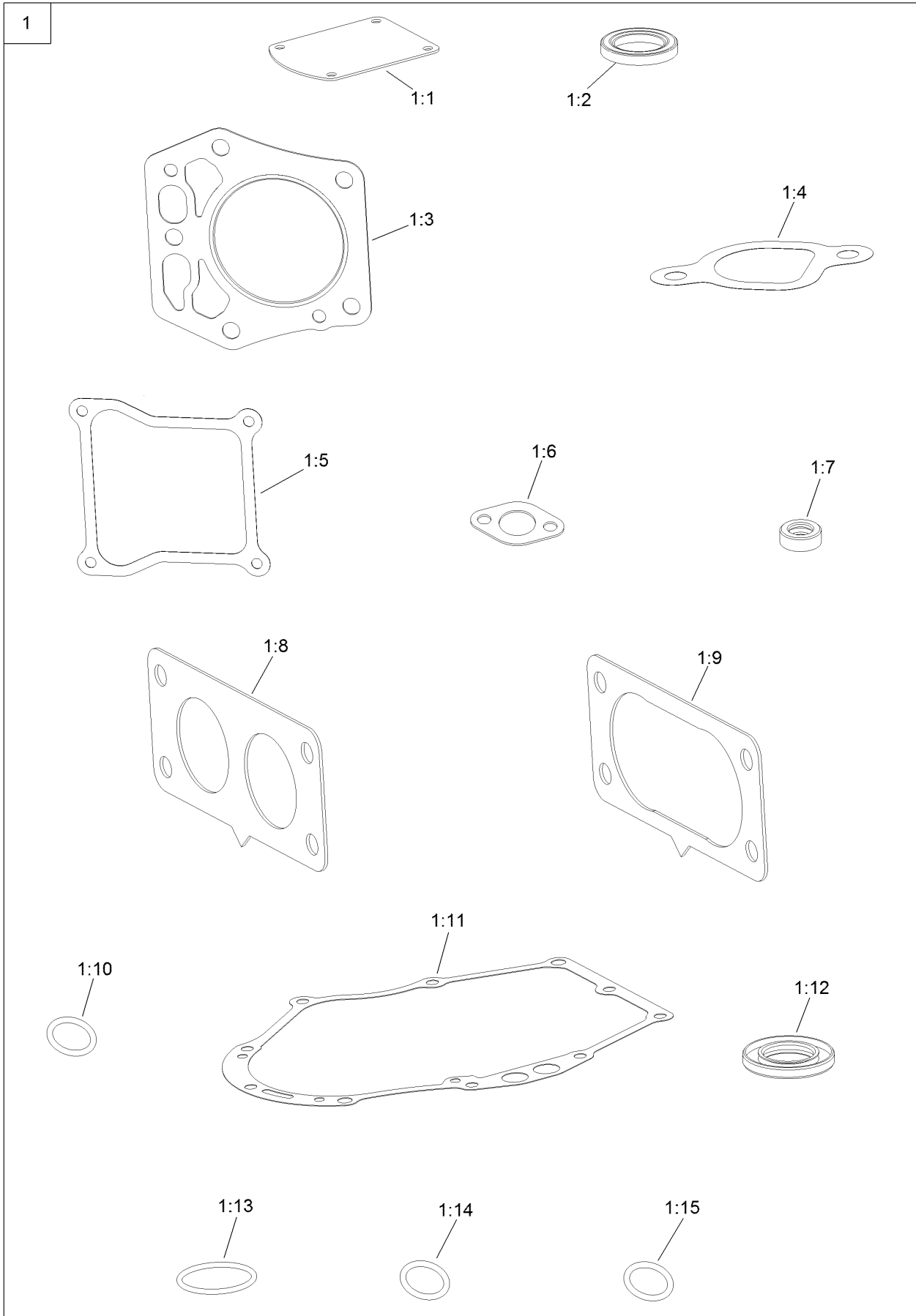
# Blower Housing Assembly Engine Assembly No. 127-9041



## Blower Housing Assembly Engine Assembly No. 127-9041 (continued)

<i>Ref.</i>	<i>Part Number</i>	<i>Qty.</i>	<i>Description</i>	<i>Ref.</i>	<i>Part Number</i>	<i>Qty.</i>	<i>Description</i>
1	133-1571	4	Screw-PPH, Plastic	8	127-9281	1	Plate-Spring
2	127-9045	1	Cover-Fan	9	127-9049	1	Baffle-Air, Left
3	127-9196	6	Screw-Shoulder, HWH	10	120-4210	2	Screw-Shoulder, HHF
4	133-1572	1	Shroud-Engine	11	127-9048	1	Baffle-Air, Right
5	127-9046	1	Door-Filter, Air	12	127-9287	1	Cleat-Hose
6	127-9280	2	Pin-Hair	13	120-4232	2	Screw-HHF
7	127-9282	2	Pin				

# Gasket and Seal Kit Engine Assembly No. 127-9041

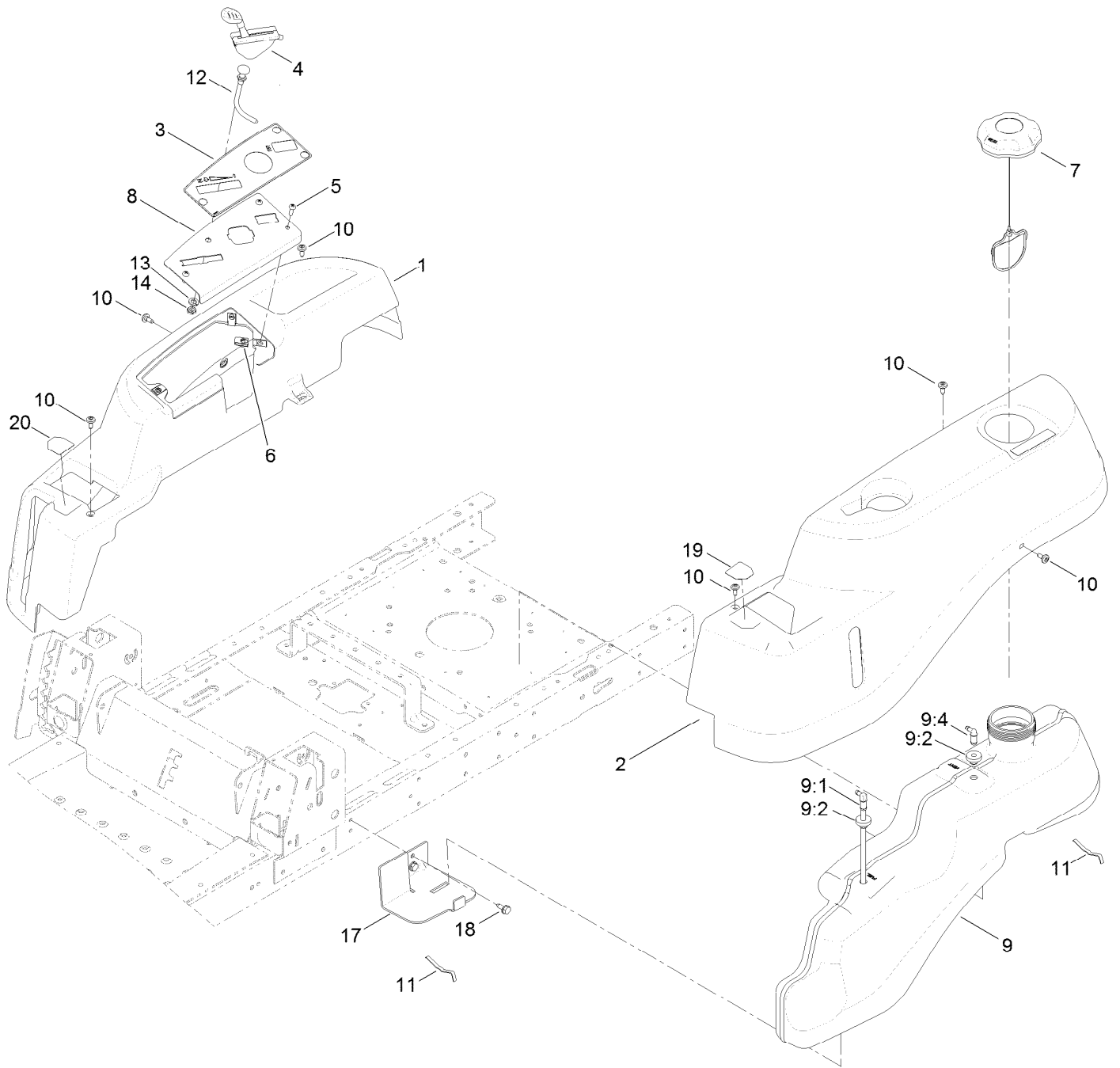


## Gasket and Seal Kit

### Engine Assembly No. 127-9041 (continued)

<i>Ref.</i>	<i>Part Number</i>	<i>Qty.</i>	<i>Description</i>	<i>Ref.</i>	<i>Part Number</i>	<i>Qty.</i>	<i>Description</i>
1	127-9296	1	Gasket And Seal Kit	1:8	127-9246	2	Gasket-Carburetor
1:1	127-9214	1	Gasket-Breather	1:9	127-9251	1	Gasket-Carburetor
1:2	120-4267	1	Seal-Oil	1:10	120-4262	2	O-Ring
1:3	127-9226	2	Gasket-Cylinder Head	1:11	127-9267	1	Gasket-Cover, Crankcase
1:4	127-9230	2	Gasket-Intake	1:12	127-9271	1	Seal
1:5	127-9295	2	Gasket-Valve Cover	1:13	127-9273	1	O-Ring
1:6	120-4317	2	Gasket-Exhaust	1:14	127-9284	1	O-Ring
1:7	120-4257	1	Seal-Oil	1:15	127-9286	1	O-Ring

# Body Styling and Fuel Pod Assembly

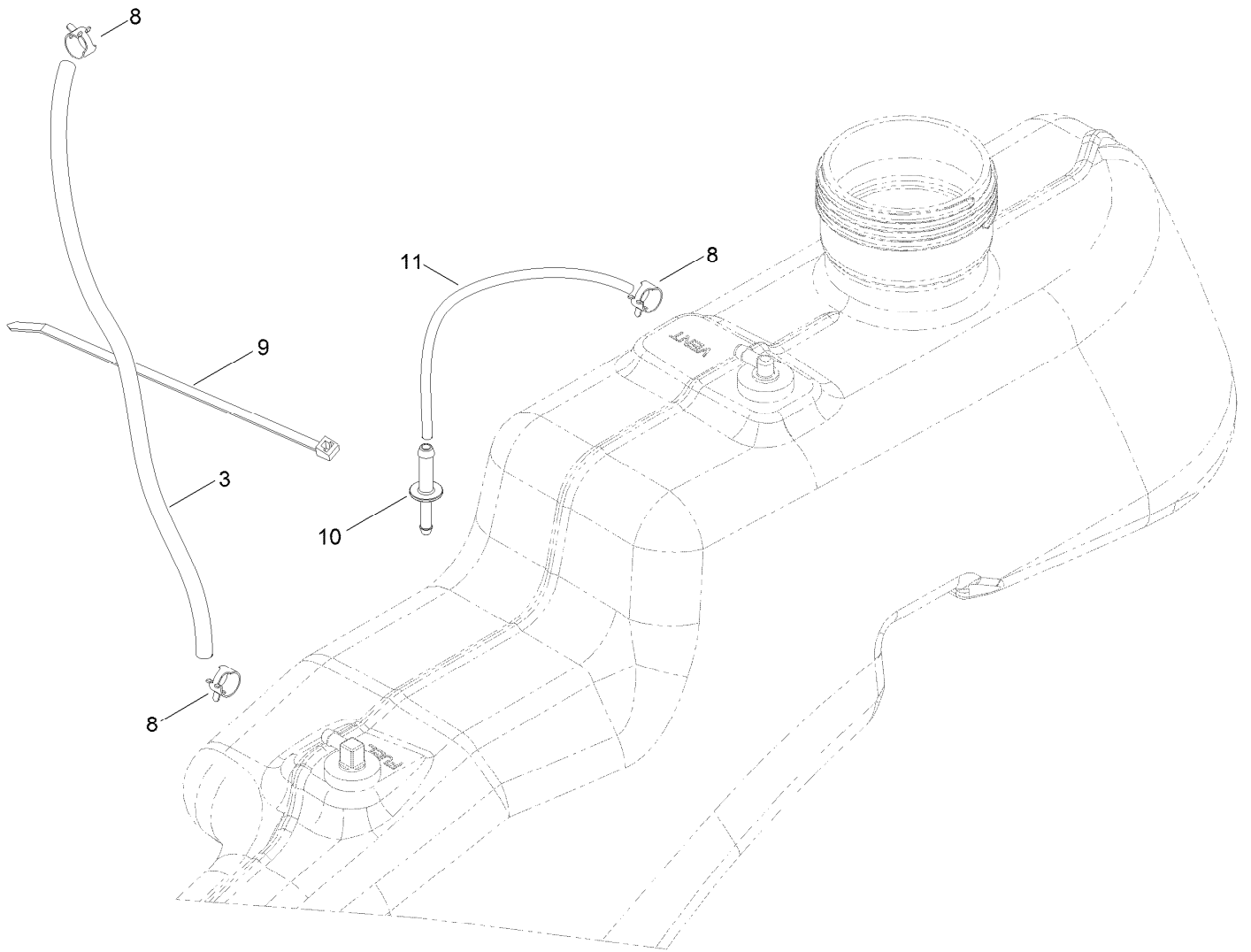




## Body Styling and Fuel Pod Assembly (continued)

<i>Ref.</i>	<i>Part Number</i>	<i>Qty.</i>	<i>Description</i>	<i>Ref.</i>	<i>Part Number</i>	<i>Qty.</i>	<i>Description</i>
1	119-3338	1	Pod-RH	9:4	117-7400	1	Fitting-Plastic
2	119-3337	1	Pod-LH	10	120-7950	6	Screw-Shoulder
3	121-0773	1	Decal-Panel, Control	11	609830	2	Spring
4	121-0769	1	Cable-Throttle	12	112-9753	1	Cable-Choke
5	3258-166	3	Screw-PRH	13	3253-21	1	Washer-Lock
6	107069	3	Clip	14	3220-3	1	Nut-HJ
7	120-5461	1	Cap-Fuel, Ratcheting	17	119-3395-03	1	Support-Tank, Front
8	119-3377-03	1	Plate-Control	18	32144-70	2	Screw-HWHTF
9	119-3324	1	Fuel Tank ASM	19	119-8814	1	Decal-Control Lever, LH
9:1	121-0793	1	Connector-Elbow, 90 DEG	20	119-8815	1	Decal-Control Lever, RH
9:2	46-6560	2	Bushing				

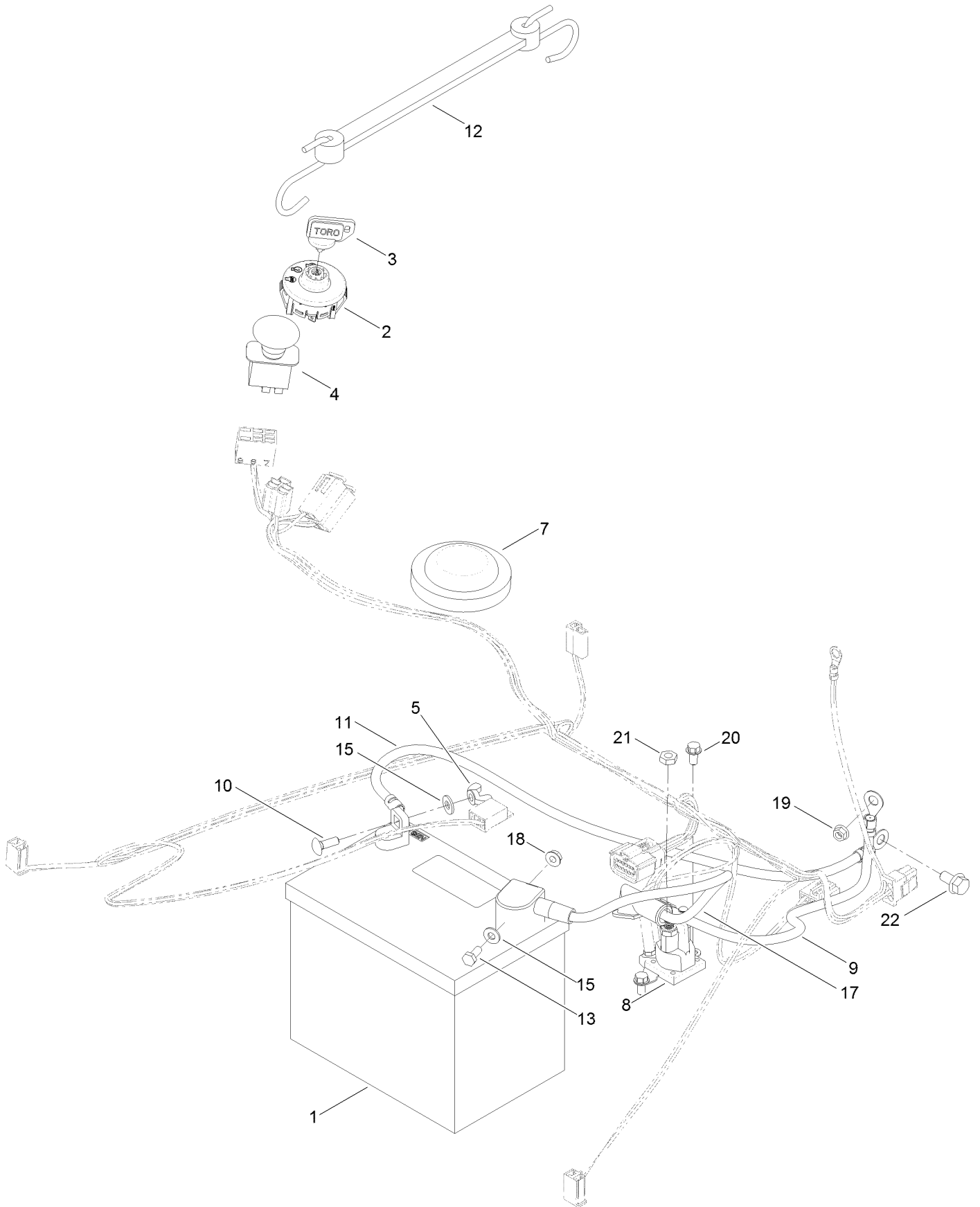
# Fuel Delivery Assembly



## Fuel Delivery Assembly (continued)

<i>Ref.</i>	<i>Part Number</i>	<i>Qty.</i>	<i>Description</i>	<i>Ref.</i>	<i>Part Number</i>	<i>Qty.</i>	<i>Description</i>
3	109-0281	1	Hose-Fuel	10	117-5399	1	Adaptor-Orifice
8	2412-98	3	Clamp-Hose	11	110-1876	1	Hose-Fuel
9	614249	1	Tie-Cable				

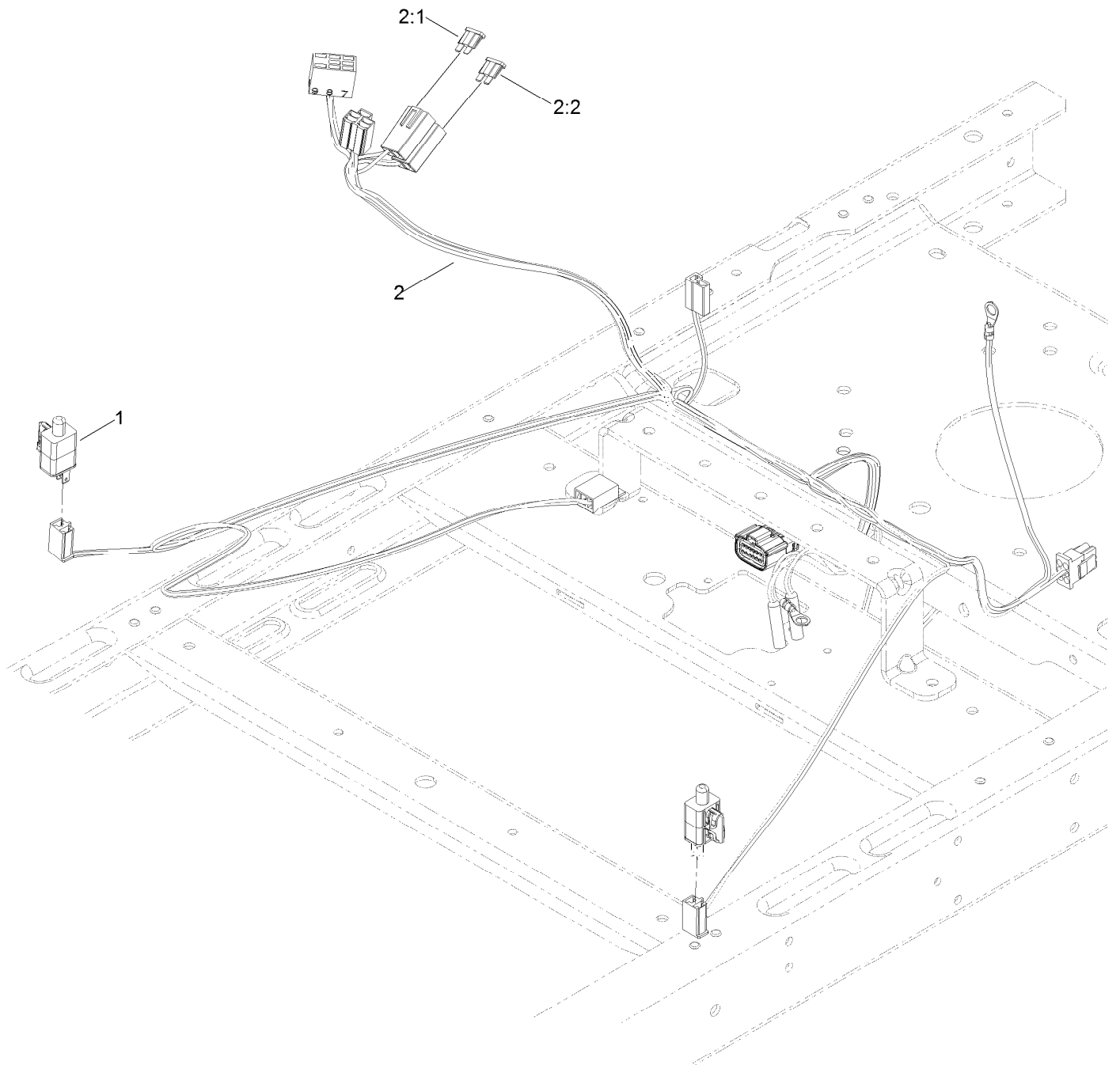
# Battery and Electrical Assembly



## Battery and Electrical Assembly (continued)

<i>Ref.</i>	<i>Part Number</i>	<i>Qty.</i>	<i>Description</i>	<i>Ref.</i>	<i>Part Number</i>	<i>Qty.</i>	<i>Description</i>
1	105-1692	1	Battery-Dry	12	104-2466	1	Holddown-Battery
2	117-2221	1	Switch-Ignition	13	321-3	1	Screw-HH
3	63-8360	1	Key-Ignition	15	3256-22	2	Washer-Flat
4	103-5221	1	Switch-PTO	17	119-8897	1	Cable-Battery, Red
5	32103-22	1	Nut-Wing	18	32128-33	1	Nut-HF
7	100-3524	1	Switch-Seat	19	33003-00	1	Nut-HF
8	117-1197	1	Solenoid	20	32144-4	2	Screw-HWH
9	121-0711	1	Cable-Battery, Positive	21	3220-2	2	Nut-Jam
10	3229-1	1	Bolt-CARR	22	3234-14	1	Screw-HHF
11	119-8899	1	Cable-Battery, Black				

# Fuse and Wire Harness Assembly

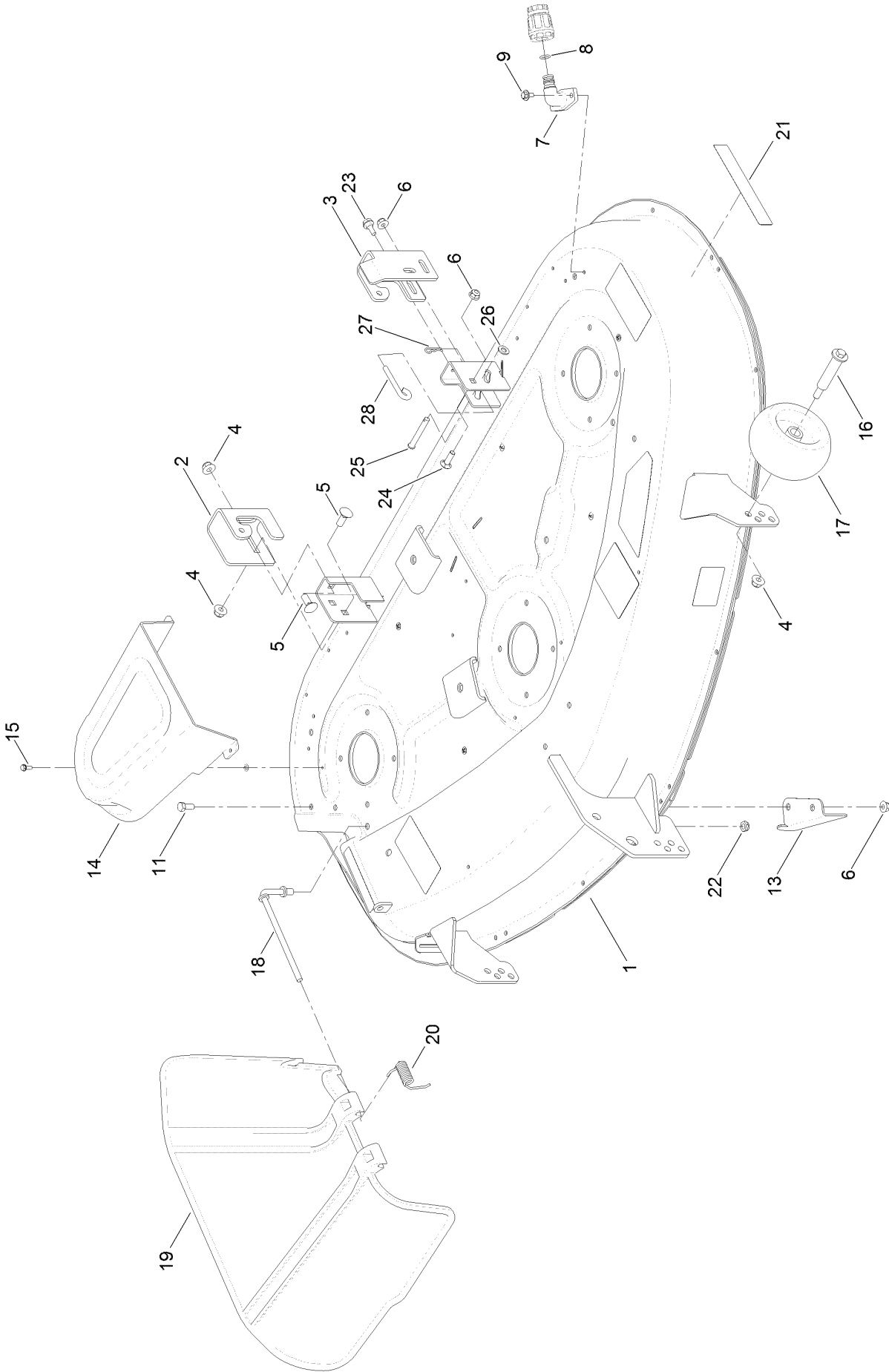


## Fuse and Wire Harness Assembly (continued)

<i>Ref.</i>	<i>Part Number</i>	<i>Qty.</i>	<i>Description</i>	<i>Ref.</i>	<i>Part Number</i>	<i>Qty.</i>	<i>Description</i>
1	110-6765	2	Switch	2:1	109103	1	Fuse-Blade, 30 Amp
2	132-0924	1	Harness-Wire, ●	2:2	109102	1	Fuse-Blade, 25 Amp

● Use dielectric grease on all unsealed connectors and terminals only. Do not apply in sealed connectors.

# 50 Inch Deck Assembly

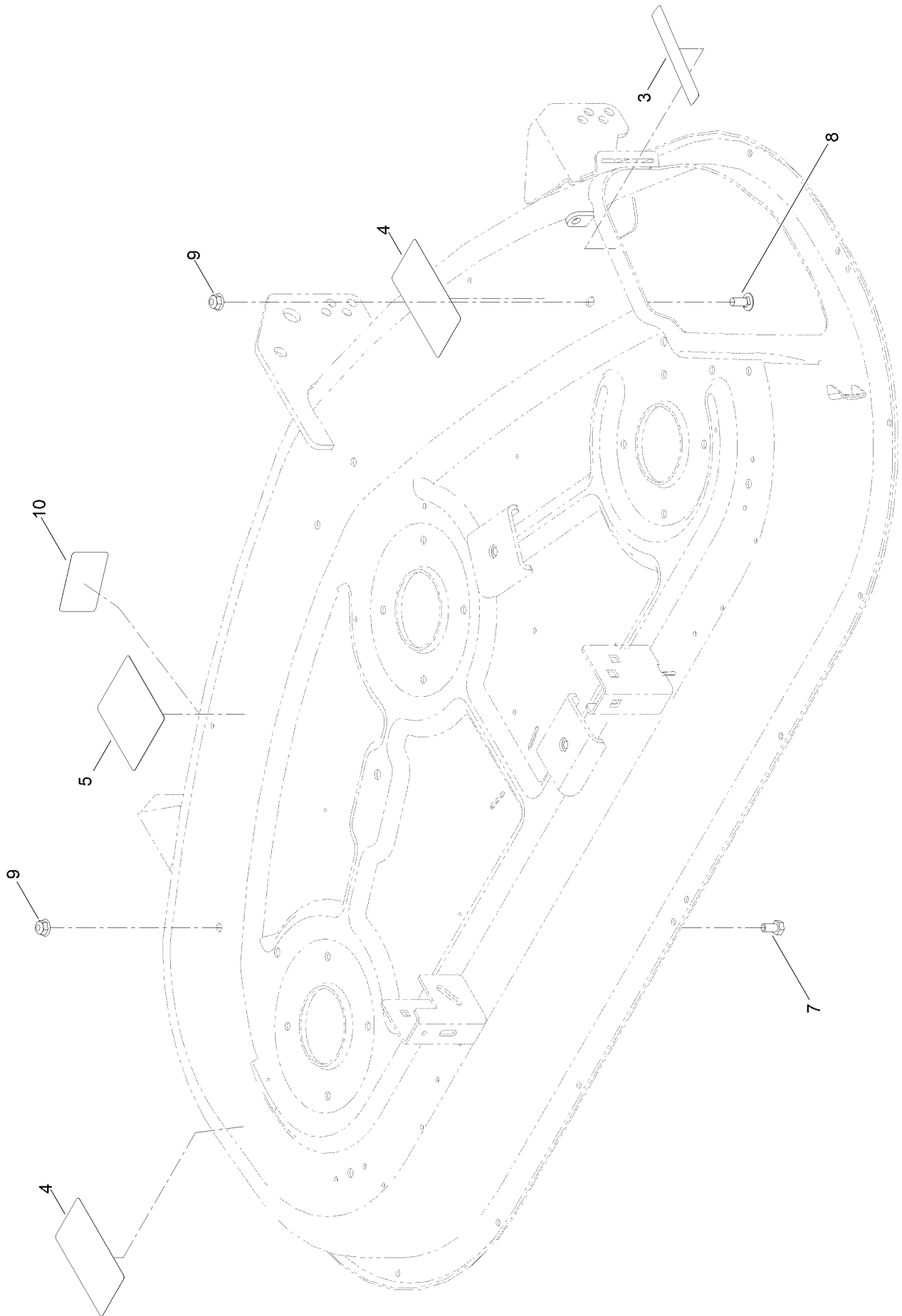




## 50 Inch Deck Assembly (continued)

<i>Ref.</i>	<i>Part Number</i>	<i>Qty.</i>	<i>Description</i>	<i>Ref.</i>	<i>Part Number</i>	<i>Qty.</i>	<i>Description</i>
1	131-3606	1	50 Inch Deck And Decal ASM	16	112-3977	3	Bolt-Shoulder
2	131-4138	1	Bracket-Hanger, RH	17	1-603299	3	Roller-Scalp, Anti
3	131-1091	1	Bracket-Hanger, LH	18	112-3950	1	Rod-Pivot
4	104-8301	5	Nut-Flange, NI	19	108-7895	1	Deflector
5	3231-2	2	Bolt-CARR	20	110-6694	1	Spring-Torsion
6	104-8300	4	Nut-Flange, NI	21	119-2368	1	Decal-Recycler
7	95-2747	2	Fitting-Washout	22	3296-59	1	Nut-Lock, NI
8	46-6290	2	O-Ring	23	120-7024	1	Screw-Shoulder, HHF
9	46-8560	4	Screw-HHFTF	24	3230-22	1	Screw-CARR
11	322-3	2	Screw-HH	25	110-0618	1	Pin-Clevis
13	112-3983-03	1	Baffle-Cutoff	26	3256-23	1	Washer-Flat
14	108-7890	2	Cover-Belt	27	1-806003	1	Pin-Cotter
15	32144-1	6	Screw-Taptite	28	131-0955	1	Rod-Level, Deck

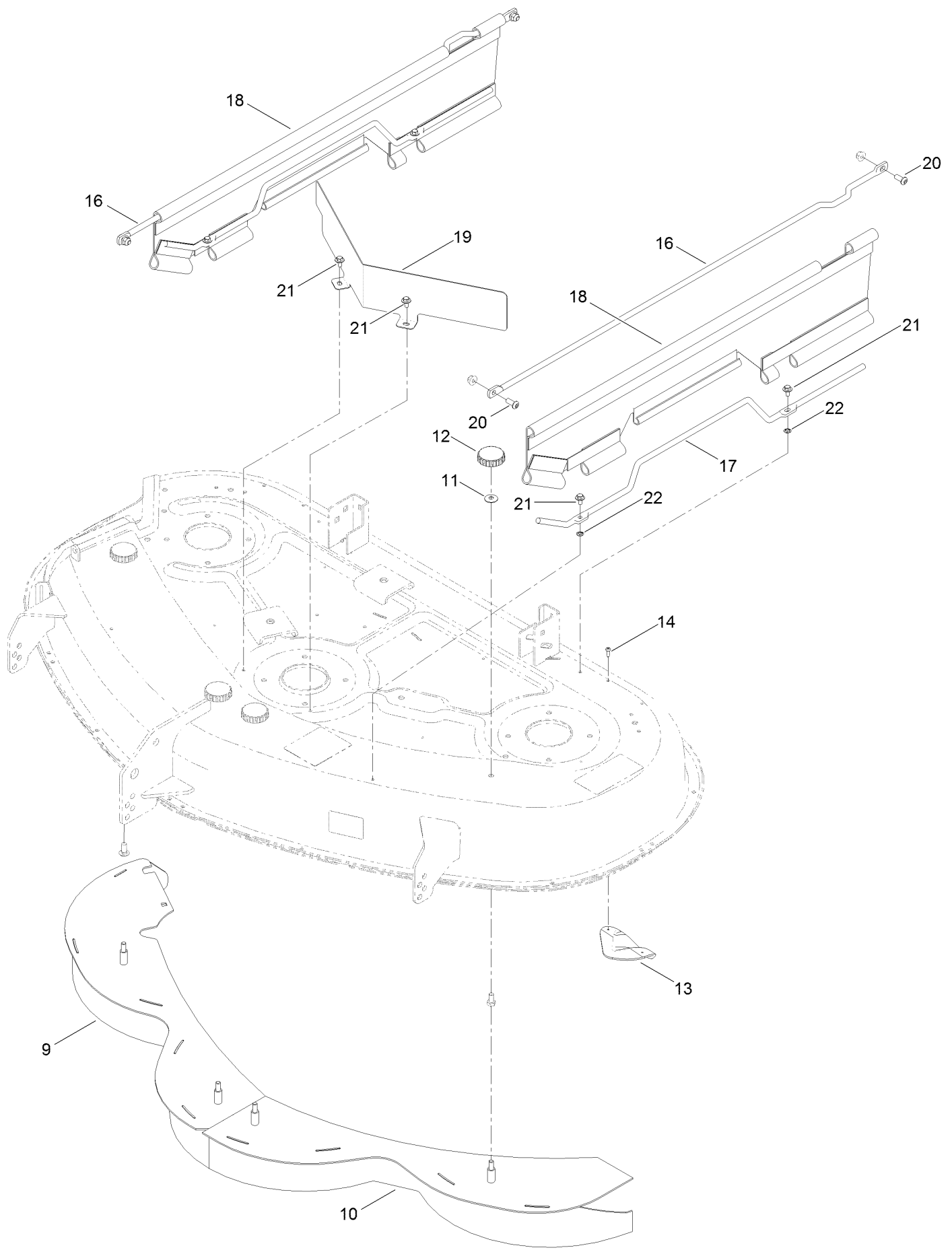
# 50 Inch Deck Decal Assembly No. 131-3606



## 50 Inch Deck Decal Assembly No. 131-3606 (continued)

<i>Ref.</i>	<i>Part Number</i>	<i>Qty.</i>	<i>Description</i>	<i>Ref.</i>	<i>Part Number</i>	<i>Qty.</i>	<i>Description</i>
3	93-7009	1	Decal-Danger	8	3230-23	1	Screw-CARR
4	132-0872	2	Decal-Danger, Deck	9	104-8300	2	Nut-Flange, NI
5	99-3943	1	Decal-Routing, Belt	10	112-9840	1	Decal-Scalp, Anti
7	322-2	1	Screw-HH				

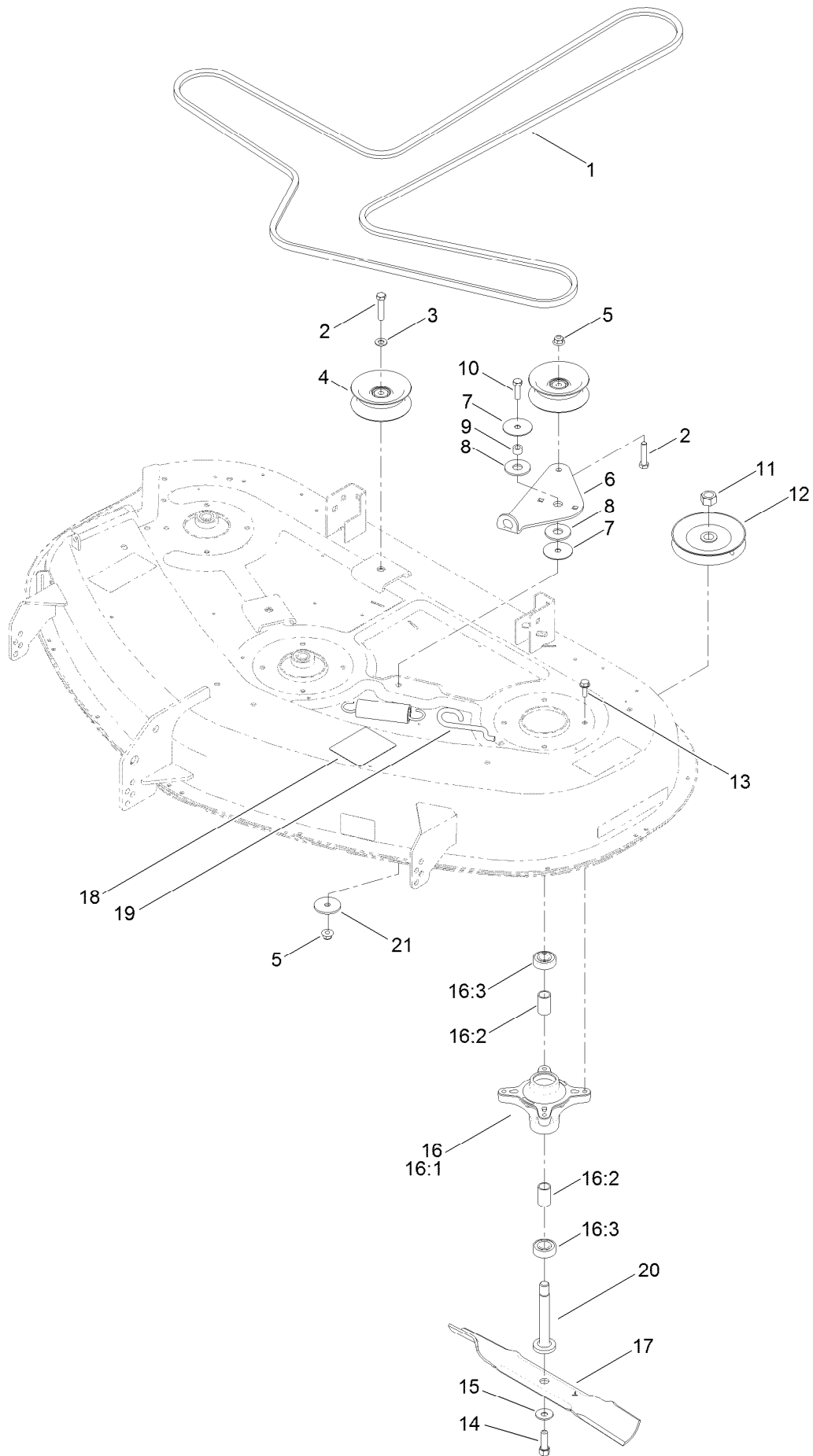
# 50 Inch Deck and Baffle Assembly



## 50 Inch Deck and Baffle Assembly (continued)

<i>Ref.</i>	<i>Part Number</i>	<i>Qty.</i>	<i>Description</i>	<i>Ref.</i>	<i>Part Number</i>	<i>Qty.</i>	<i>Description</i>
9	112-4010-03	1	RH Baffle ASM	17	131-3684	2	Rod Support, Lower
10	112-4011-03	1	LH Baffle ASM	18	131-3926	2	Guard Side
11	3290-456	4	Washer-Belleville	19	131-3648-03	1	Front Shield, 50 Deck
12	94-5583	4	Knob	20	3274-55	4	Screw-HSBH
13	76-2160	3	Plate-Kicker	21	46-8560	6	Screw-HHFTF
14	32144-111	6	Screw-PPH	22	1-803037	4	Nut-Retaining
16	131-3669	2	Rod Support, Upper				

# 50 Inch Deck Belt, Spindle and Blade Assembly



## 50 Inch Deck Belt, Spindle and Blade Assembly (continued)

<i>Ref.</i>	<i>Part Number</i>	<i>Qty.</i>	<i>Description</i>	<i>Ref.</i>	<i>Part Number</i>	<i>Qty.</i>	<i>Description</i>
1	119-8820	1	V-Belt	13	32144-41	12	Screw-Taptite
2	323-9	3	Screw-HH	14	26-0671	3	Screw-HH
3	3256-24	2	Washer-Flat	15	3290-465	3	Washer-Belleville
4	106-2175	3	Pulley-Idler, Flat	16	121-0751	3	Spindle ASM
5	104-8301	2	Nut-Flange, NI	16:1	117-7267	1	Spindle
6	114-8540	1	Arm-Idler	16:2	120-7935	2	Spacer
7	120-2229	2	Washer	16:3	38-7820	2	Bearing-Ball
8	114-0463	2	Washer-Friction, Composite	17	115-5062-03	3	Blade-Mulch, 17.50 Inch
9	115-4986	1	Spacer	18	1-603414	1	Spring-Extension
10	323-7	1	Screw-HH	19	112-3973	1	Hook-Return, Spring
11	3219-6	3	Nut-Hex	20	117-7268	3	Shaft-Spindle
12	125-5575	3	Pulley	21	63-7400	1	Washer-Rebound

# Attachments and Accessories

## For 74661 TimeCutter ZS 5000 Riding Mower

<b>Product Name</b>	<b>Model/Part</b>
Deck Ring Kit .....	114-1608
Hourmeter Kit .....	116-5461
Oil-Synthetic, All Season .....	117-0066
Fuel Stabilizer (4oz).....	117-0089
Fuel Stabilizer (16oz).....	117-0090
Seat Cover W/arm Rest.....	117-0097
Striping Kit .....	120-7905
Jack Mount Kit .....	126-5251
Jack Kit.....	127-6666
Attachment Mount Kit .....	131-3966
Weight Kit .....	131-7658
Deluxe Seat Kit.....	131-7699
Deck Retention Kit.....	132-0913
Floor Mat Kit .....	132-6921
10w30 4-cycle Engine Oil (32oz Bottle) .....	38280
Toro 4-cycle Sae 30 Oil (32oz Bottle).....	38903
Storage Cover .....	490-7516
Foot Assist Deck Lift Kit, 2011 and After Zero-Turn-Radius Riding Mower .....	79010
Sunshade Kit .....	79011
Blade Kit .....	79016P
Cargo Carrier.....	79040
Assist Handle and Step Kit .....	79339
50in and 54in Bagger, Zero-Turn-Radius Riding Mower .....	79392



**Notes:**

**Notes:**

**Notes:**



**Count on it.**